

Vinyl Garage

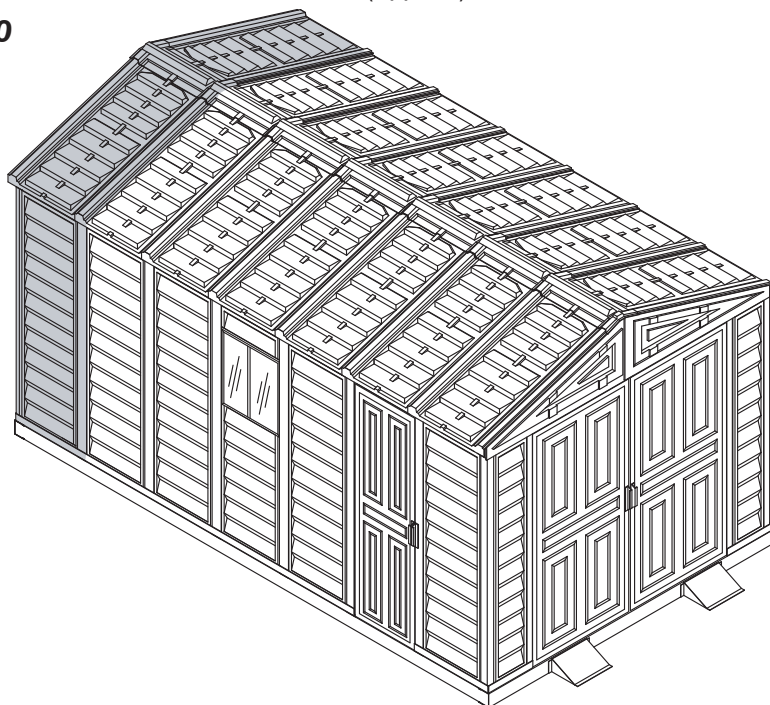
OWNER'S MANUAL / Instructions for Assembly Size 10 Ft x 15 Ft (Approx.) with "Extension Kits"

Patent #416.091



ISO 9001:2008

Ver: 3.0



**Customer
 Service Hotline
 (800) 483-4674
 www.duramaxbp.com**

Your Total Solution To maintenance Free Garages.

- All Weather Durable PVC
- Won't Dent, Rust, Rot or Mildew
- Tall Walk In Shed
- Never Needs Painting
- 89" Wide Double Doors
- Easy Assembly
- High Wind Tested
- Snow Load Tested 20lbs/sq. foot
- Pad Lock Ready (Lock not included)

PART 1 **ASSEMBLING SHED WITH EXTENSION KIT**

PART 2 **ADDING EXTENSION KIT TO EXISTING SHED**

Note: For shed with extension use this manual only.

Available Kits

- Window Kits Available

Call us for any missing or damaged parts.
 Do not return to the store.

Building Dimensions (One Extension) :								
Approximate Size	Storage Area		Exterior Dimension			Interior Dimension (Wall to Wall)		
			Width (Inch)	Depth (Inch)	Height (Inch)	Width (inch)	Depth (inch)	Height (inch)
Feet	Sq. Ft.	Cu. Ft.	Base Dimension			Width (inch)	Depth (inch)	Height (inch)
			125 3/8	31				
10 x 2 1/2	26 3/4	160 3/8	Roof Edge to Edge			123 3/8	31	72
			125 1/2	31	85 1/2			

Duramax Garages **Limited Ten Year Warranty**

U.S. Polymer Inc. will send a replacement part free of charge, in the event of material defects and or workmanship for a period of ten years from the date of purchase.

This warranty is extended only to the original purchaser. A purchase receipt or other proof of date of original purchase will be required before warranty service is rendered. In no event shall we pay the cost of flooring, labor, installation or any other costs related thereto.

This warranty only covers failures due to defects in material or workmanship which occurs during normal use and does not extend to color change arising due to normal weathering or to damage resulting from misuse or neglect, commercial use, failure to follow assembly instructions and the owner's manual (including proper anchoring of the shed), painting, forces of nature and other causes which is beyond our control.

Claims under this warranty must be made within the warranty period by calling 1-800-483-4674 or mail in a dated sales slip and clear photograph of the part to:

U.S. Polymers, Inc.
1057 S. Vail Ave,
Montebello, CA 90640.

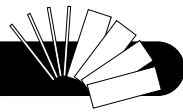
We reserve the right to discontinue or change components. If a component has been discontinued or is not available, U.S. Polymers, Inc. reserves the right to substitute a component of equal quality as may be compatible.

Limits and Exclusions

There are no express warranties except as listed above. The warrantor shall not be liable for incidental or consequential damages resulting from the use of this product, or arising out of any breach of this warranty. All express warranties are limited to the warranty period set forth above. Some states do not allow the exclusion or limitation on how long an implied warranty lasts, so the above limitations may not apply to you.

This warranty gives you specific legal rights and you may also have other rights which vary from state to state or country to country.

Parts List



Note: Check all parts prior to installation.

CODE	DESCRIPTION	QTY
B1LH	FRONT 'U' CHANNEL LEFT	1
B1RH	FRONT 'U' CHANNEL RIGHT	1
B1LA	FRONT 'U' CHANNEL LEFT	1
B1RA	FRONT 'U' CHANNEL RIGHT	1
B21	SIDE 'U' CHANNEL	1
B22	SIDE 'U' CHANNEL	1
B3LA	BACK 'U' CHANNEL LEFT	1
B3RA	BACK 'U' CHANNEL RIGHT	1
EXTL	EXTENSION 'U' CHANNEL LEFT	3
EXTR	EXTENSION 'U' CHANNEL RIGHT	3
CMA	MIDDLE COLUMN	8
CMH	MIDDLE COLUMN	3
CCA	CORNER COLUMN	4
CDLA	LEFT DOOR COLUMN	1
CDLH	LEFT DOOR COLUMN	1
CDRA	RIGHT DOOR COLUMN	1
CDRH	RIGHT DOOR COLUMN	1
CB1A	CB1 CENTER BAND	1
CB1H	CB1 CENTER BAND	2
CB3A	CB3 CENTER BAND	1
CB3XA	CB3 CENTER BAND	5
CB4A	CB4 CENTER BAND	1
CB4H	CB4 CENTER BAND	2
CB6H	CB6 CENTER BAND	1
RS1H	RS1 ROOF STRUCTURE	4
RS2A	RS2 ROOF STRUCTURE	4
RS3LA	RS3 ROOF STRUCTURE LONG	5
RS3LH	RS3 ROOF STRUCTURE LONG	1
RS4XA	RS4 ROOF STRUCTURE	10
RS5A	RS5 ROOF STRUCTURE	4
RS6H	RS6 ROOF STRUCTURE	8
RS7H	RS7 ROOF STRUCTURE	8
RS13A	RS13 ROOF STRUCTURE	8
RS8H	RS8 ROOF STRUCTURE SUPP. LONG	4
RS9H	RS9 ROOF STRUCTURE SUPP. SHORT	4
MJ	MIDDLE JOINING SUPPORT	9
RS10A	RS10 ROOF STRUCTURE SUPPORT	2
RS11A	RS11 ROOF STRUCTURE SUPPORT SHORT	5
RS12A	RS12 ROOF STRUCTURE SUPPORT LONG	3
RS14A	SAGGING SUPPORT	24
DSHH	DOOR STOPPER HORIZONTAL	1
RS19H	VERTICAL SUPPORT - 1	4
RS20H	VERTICAL SUPPORT - 2	4
RS15L	RS15 ROOF STRUCTURE SUPPORT LEFT	2
RS15R	RS15 ROOF STRUCTURE SUPPORT RIGHT	2

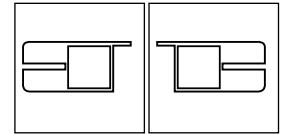
CODE	DESCRIPTION	QTY
RS16L	DOOR STOPPER LEFT	1
RS16R	DOOR STOPPER RIGHT	1
RG	RAMP	2
SP▲	SIDE PANEL	15
FSPH▲	FRONT SIDE PANEL	2
FPL	FACIA PANEL LEFT	2
FPR	FACIA PANEL RIGHT	2
RP▲	ROOF PANEL	12
RRS	RIDGE COVER	6
DL	LEFT DOOR	1
DR	RIGHT DOOR	1
DS	DOOR SMALL	1

ACCESSORIES

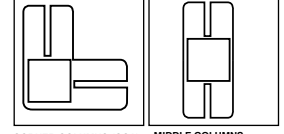
CODE	DESCRIPTION	QTY
FDCL	DOOR COLUMN FITTING LEFT	1
FDCLC	DOOR COLUMN FITTING LEFT	1
FDCR	DOOR COLUMN FITTING RIGHT	1
FDCRH	DOOR COLUMN FITTING RIGHT	1
FCC	CORNER COLUMN FITTING	4
FMC	MIDDLE COLUMN FITTING	11
FCB	CENTER BAND FITTING	4
RJ	90 DEGREE JOINT	4
PPG	ROOF PLUG WITH WASHER	128
PIN	ROOF PIN	128
EPS	END PLUG SQUARE	7
CBC	CENTER BAND COVER	3
TCH	TOP CORNER	8
S1	DIA. 4.2 x 16mm. (5/32" x 5/8") SHEET METAL SCREW	420
S2	DIA. 4.2 x 32mm. (5/32" x 1 1/4") SHEET METAL SCREW	16
S7	DIA. 4.2 x 10mm. (5/32" x 3/8") SHEET METAL SCREW	40
S3	M4 x 10mm. (M5/32" x 3/8") MACHINE SCREW WITH NUT	33
S8	M8 x 25mm. (M5/16" x 1") HEX. BOLT & NUT WITH WASHER	9

FOUNDATION

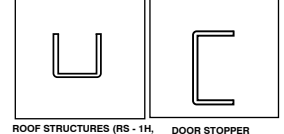
CODE	DESCRIPTION	QTY
F01H	FOUNDATION 'U' CHANNEL	2
F02H	FOUNDATION 'U' CHANNEL	2
F03	FOUNDATION 'L' ANGLE	4
F04A	FOUNDATION 'U' CHANNEL	6
F05A	FOUNDATION 'U' CHANNEL	6
F06A	FOUNDATION 'U' CHANNEL	21
F07	FOUNDATION 'U' CHANNEL	18
F03H	FOUNDATION 'U' CHANNEL	4
F08	FOUNDATION 'U' CHANNEL JOINT	8
S1	DIA. 4.2 x 16mm. (5/32" x 5/8") SHEET METAL SCREW	150



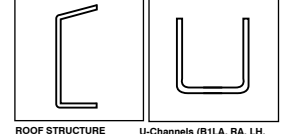
LEFT DOOR COLUMN (CDLA) (CDLH) RIGHT DOOR COLUMN (CDRA) (CDRH)



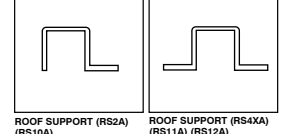
CORNER COLUMNS (CCA) MIDDLE COLUMNS (CMA) (CMH)



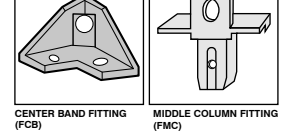
ROOF STRUCTURES (RS - 1H, 3LH, 3LA, 8H, 9H, 19H, 20H) (CB-1A, 1H, 2A, 3A, 4A, 4H, 6H) (MJ) DOOR STOPPER (DSHH)



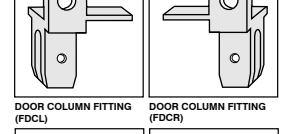
ROOF STRUCTURE (RSSA) (RS6H) (RS7H) U-Channels (B1LA, RA, LH, RH) (B21) (B22) (B3LA) (B3RA)



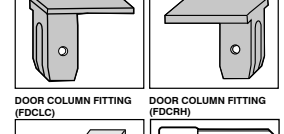
ROOF SUPPORT (RS2A) (RS10A) ROOF SUPPORT (RS4XA) (RS11A) (RS12A)



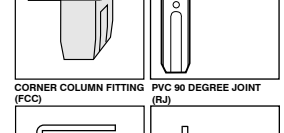
CENTER BAND FITTING (FCB) MIDDLE COLUMN FITTING (FMC)



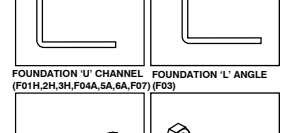
DOOR COLUMN FITTING (FDCL) DOOR COLUMN FITTING (FDCR)



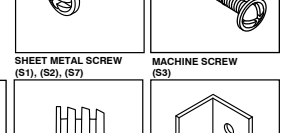
DOOR COLUMN FITTING (FDCLC) DOOR COLUMN FITTING (FDCRH)



CORNER COLUMN FITTING (FCC) PVC 90 DEGREE JOINT (RJ)



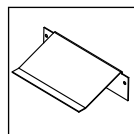
FOUNDATION 'U' CHANNEL (F01H, 2H, 3H, F04A, 5A, 6A, F07) (F03)



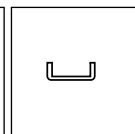
SHEET METAL SCREW (S1), (S2), (S7) MACHINE SCREW (S3)

Tools You Will Need

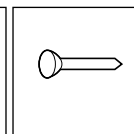
- Cordless Drill - Philips Head
- Hammer or Rubber mallet
- Carpenters Square
- 8' Step Ladder
- Adjustable pliers
- Level - 3ft.
- Tape Measure
- Caulk Gun
- Waterproof Clear Silicon Sealant
- Hand Gloves



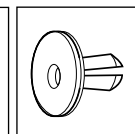
RAMP (RG)



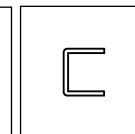
SAGGING SUPPORT (RS14A)



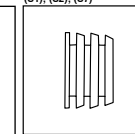
ROOF PIN (PIN)



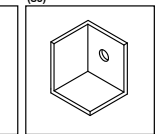
ROOF PLUG WITH WASHER (PPG)



CENTER BAND COVER (CBC)

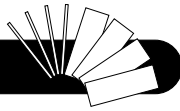


END PLUG SQUARE (EPS)



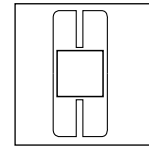
TOP CORNER (TCH)

One Extension Parts List

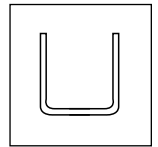


Note: Check all parts prior to installation.

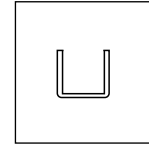
CODE	DESCRIPTION	QTY
EXTL	EXTENSION 'U' CHANNEL LEFT	1
EXTR	EXTENSION 'U' CHANNEL RIGHT	1
CMH	MIDDLE COLUMN	2
CB2A	CENTER BAND	2
RS3H	RS3 ROOF STRUCTURE SHORT	2
MJ	MIDDLE JOINING SUPPORT	4
RS4XA	RS4 ROOF STRUCTURE	2
RS6H	RS6 ROOF STRUCTURE	2
RS7H	RS7 ROOF STRUCTURE	2
RS11A	RS11 ROOF STRUCTURE SUPPORT SHORT	1
RS14A	SAGGING SUPPORT	4
RS19H	VERTICAL SUPPORT - 1	2
RS20H	VERTICAL SUPPORT - 2	2
RS15L	RS15 ROOF STRUCTURE SUPPORT LEFT	1
RS15R	RS15 ROOF STRUCTURE SUPPORT RIGHT	1
SP↑	SIDE PANEL	2
RP↑	ROOF PANEL	2
RRS	RIDGE COVER	1



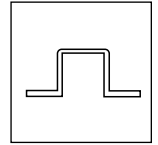
MIDDLE COLUMNS (CMH)



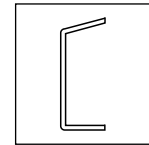
U-Channels (EXTL) (EXTR)



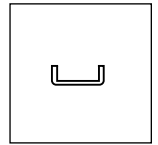
ROOF STRUCTURES (RS3H), (CB2A), (RS19H), (RS20H), (MJ)



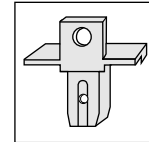
ROOF SUPPORT (RS4XA) (RS11A)



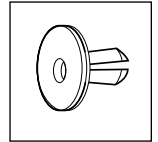
ROOF STRUCTURE (RS6A) (RS7A) (RS13A)



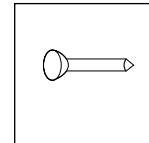
SAGGING SUPPORT (RS14A)



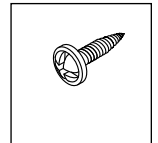
MIDDLE COLUMN FITTING (FMC)



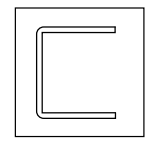
ROOF PLUG WITH WASHER (PPG)



ROOF PIN (PIN)



SHEET METAL SCREW (S1), (S2), (S7)



FOUNDATION 'U' CHANNEL (FO6A), (FO7), (FO3H)

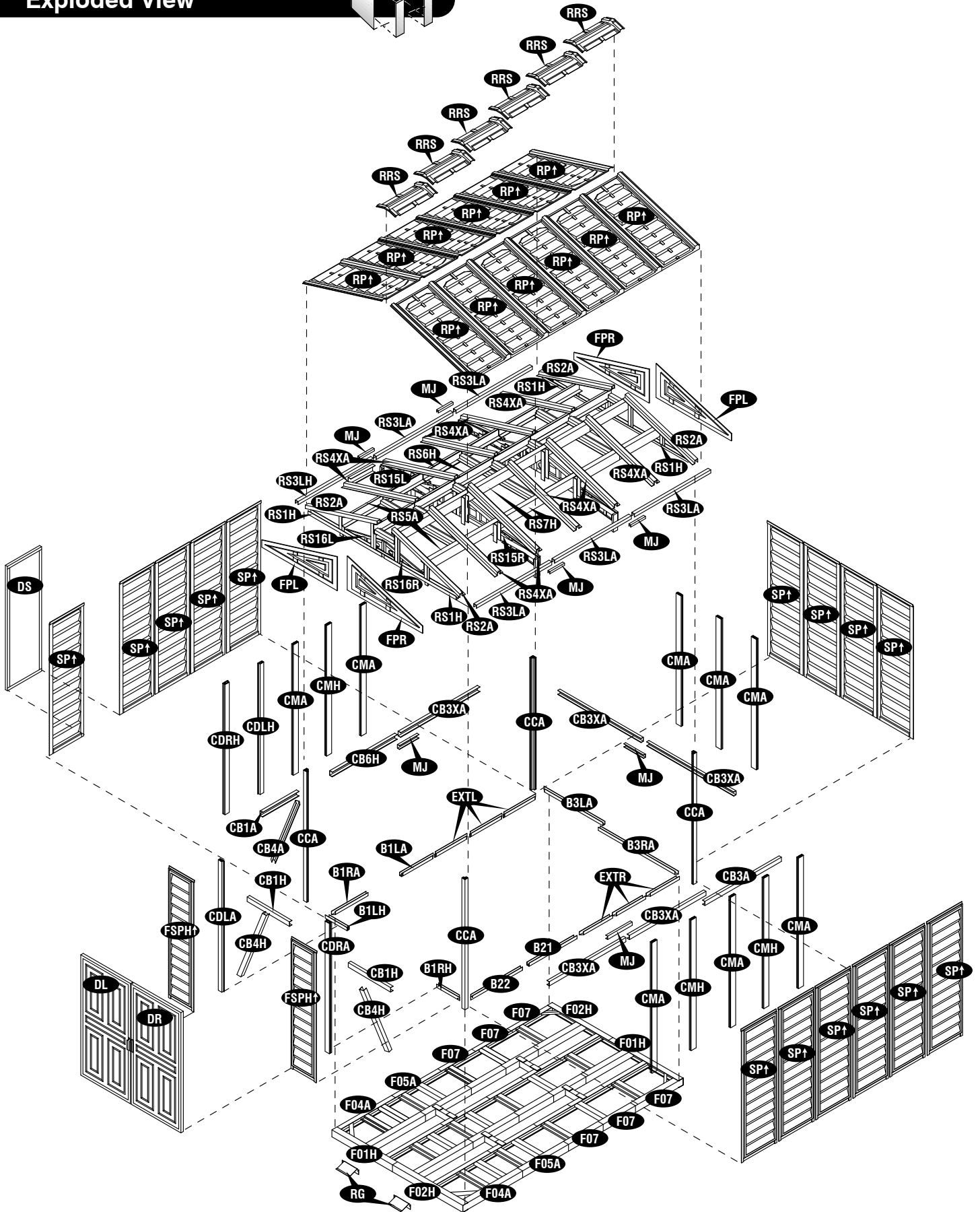
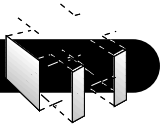
ACCESSORIES

CODE	DESCRIPTION	QTY
FMC	MIDDLE COLUMN FITTING	2
PPG	ROOF PLUG WITH WASHER	58
PIN	ROOF PIN	58
CBC	CENTER BAND COVER	2
TCH	TOP CORNER	4
S1	DIA. 4.2 x 16mm. (5/32" x 5/8") SHEET METAL SCREW	70
S2	DIA. 4.2 x 32mm. (5/32" x 1 1/4") SHEET METAL SCREW	4
S7	DIA. 4.2 x 10mm. (5/32" x 3/8") SHEET METAL SCREW	8
S8	M8 x 25mm. (M5/16" x 1") HEX. BOLT & NUT WITH WASHER	3

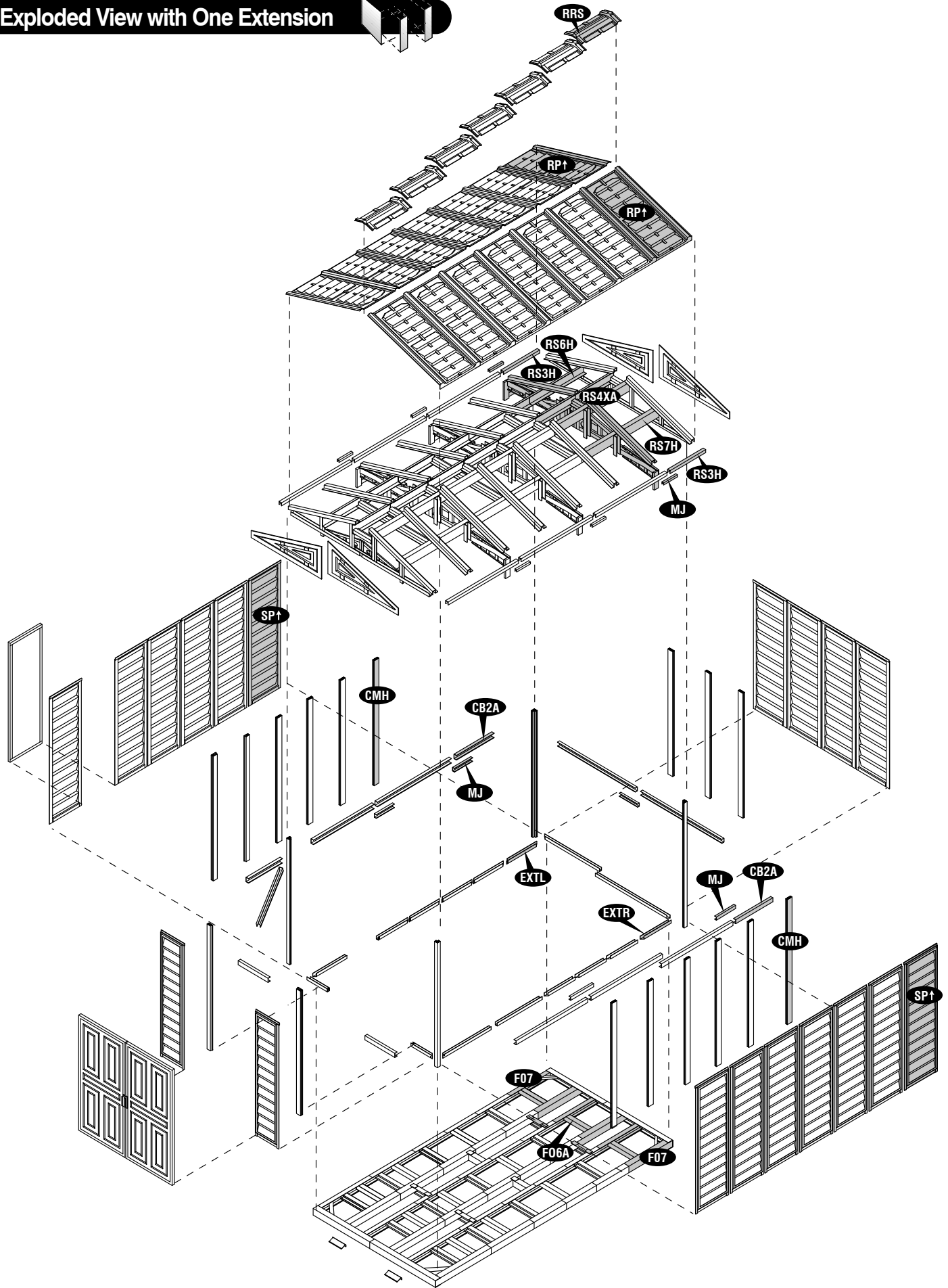
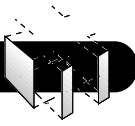
FOUNDATION

CODE	DESCRIPTION	QTY
F06A	FOUNDATION 'U' CHANNEL	3
F07	FOUNDATION 'U' CHANNEL	6
F03H	FOUNDATION 'U' CHANNEL	2
F08	FOUNDATION 'U' CHANNEL JOINT	4
S1	DIA. 4.2 x 16mm. (5/32" x 5/8") SHEET METAL SCREW	26

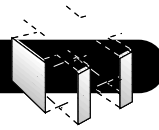
Exploded View



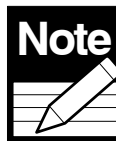
Exploded View with One Extension



Roof Structure Exploded View With One Extension



Note: It is important that these instructions are followed step by step.



1. All parts are clearly marked and care should be taken to use the correct one.
2. Set the Torque limit of your Screw drill to #3 or #4 to ensure the screws do not strip the metal reinforcements.

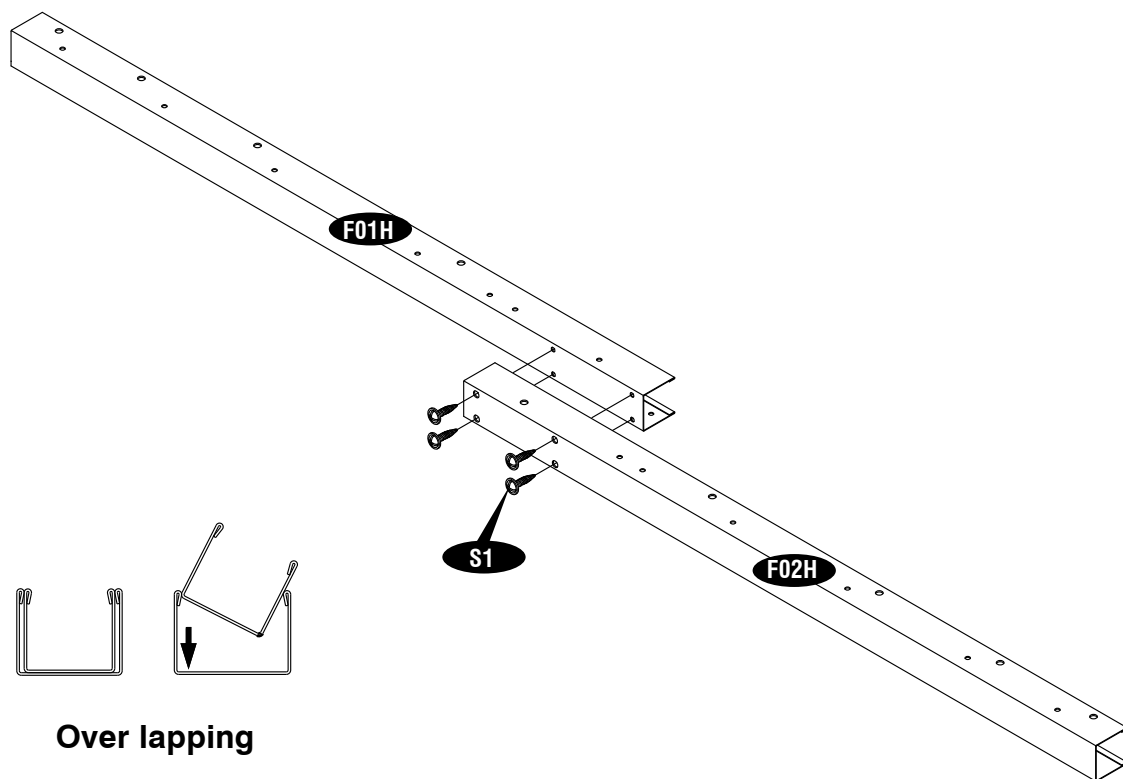
Parts Needed:

(2) Foundation 'U' Channel	(F01H)
(2) Foundation 'U' Channel	(F02H)
(4) Foundation 'L' Angle	(F03)
(6) Foundation 'U' Channel	(F04A)
(6) Foundation 'U' Channel	(F05A)
(21) Foundation 'U' Channel	(F06A)
(18) Foundation 'U' Channel	(F07)
(4) Foundation 'U' Channel	(F03H)
(8) Foundation 'U' Channel Joint	(F08)
(1) Base 'U' Channel	(B1LH)
(1) Base 'U' Channel	(B1RH)
(1) Base 'U' Channel	(B1LA)
(1) Base 'U' Channel	(B1RA)
(1) Base 'U' Channel	(B21)
(1) Base 'U' Channel	(B22)
(1) Base 'U' Channel	(B3LA)
(1) Base 'U' Channel	(B3RA)
(3) Base 'U' Channel	(EXTL)
(3) Base 'U' Channel	(EXTR)
Screws	(S1)

Parts Needed For Each Extension:

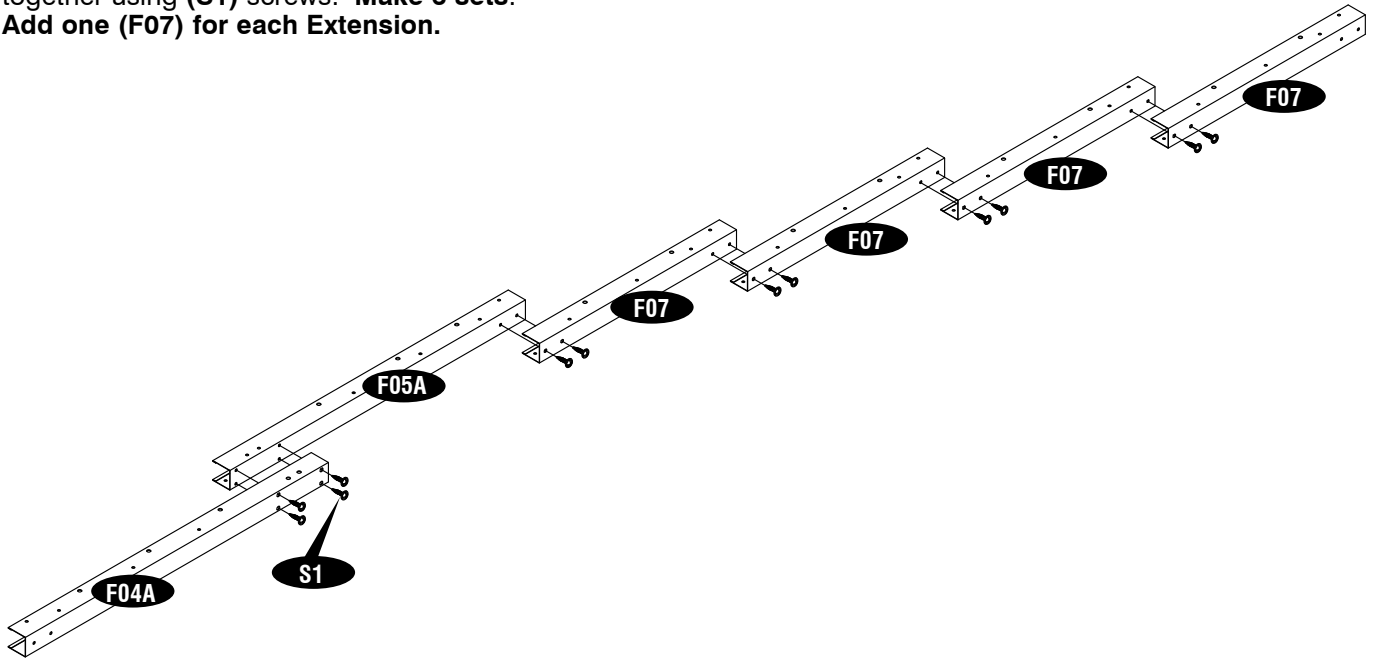
(3) Foundation 'U' Channel	(F06A)
(6) Foundation 'U' Channel	(F07)
(2) Foundation 'U' Channel	(F03H)
(4) Foundation 'U' Channel Joint	(F08)
(1) Base 'U' Channel	(EXTL)
(1) Base 'U' Channel	(EXTR)
Screws	(S1)

1. Assemble the channel (F01H) & (F02H) together using 4 (S1) screws. **Make 2 sets.**

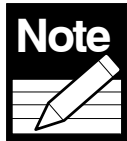


Over lapping

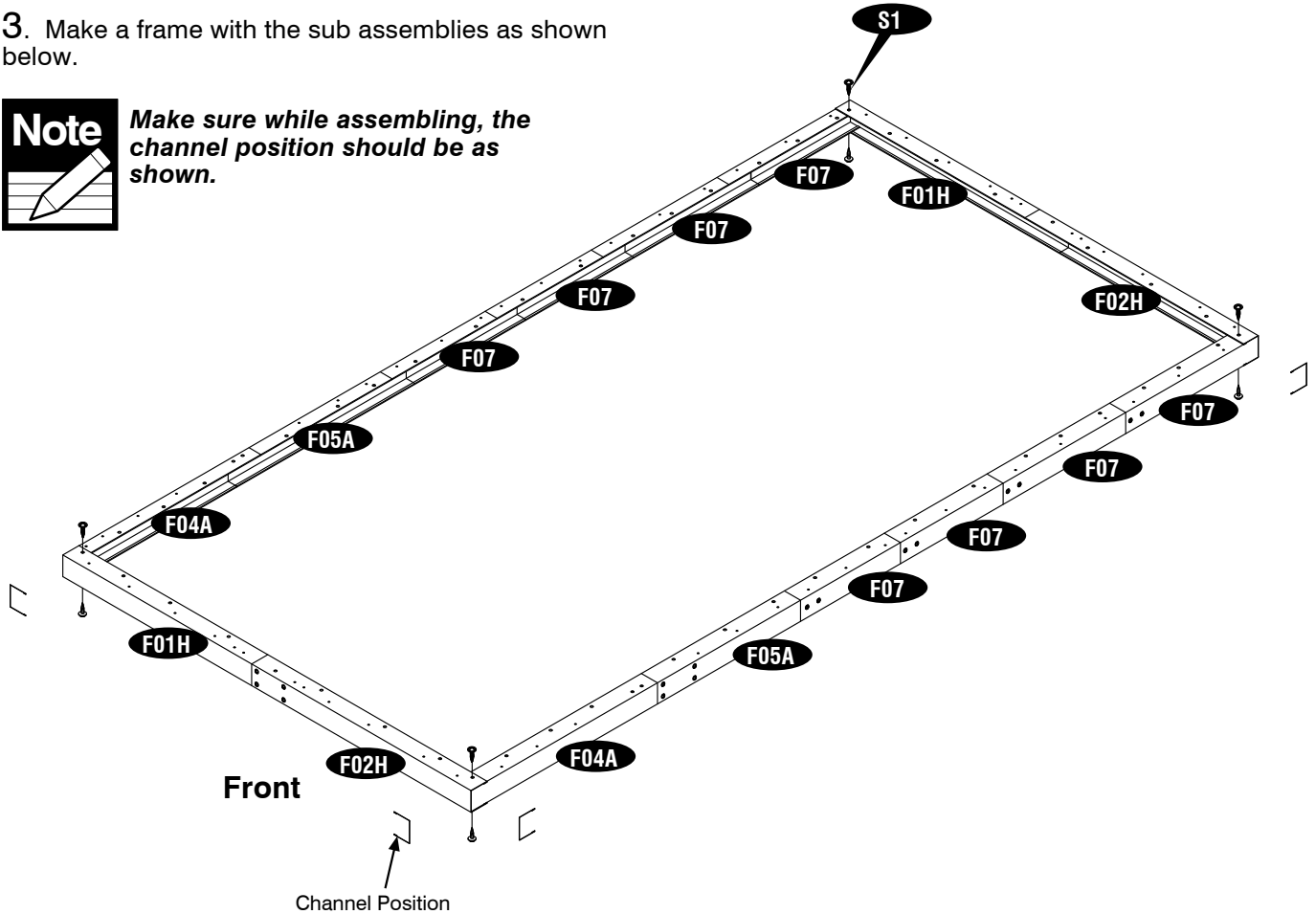
2. Assemble the channel (F04A), (F05A) & (F07) together using (S1) screws. Make 6 sets. Add one (F07) for each Extension.



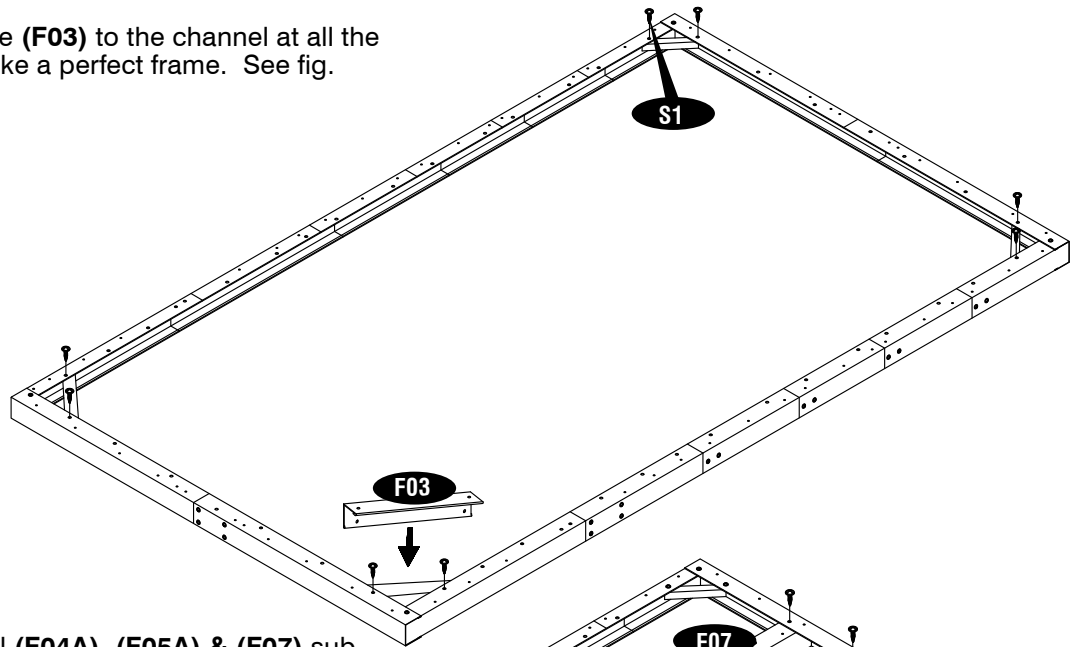
3. Make a frame with the sub assemblies as shown below.



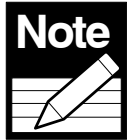
Note Make sure while assembling, the channel position should be as shown.



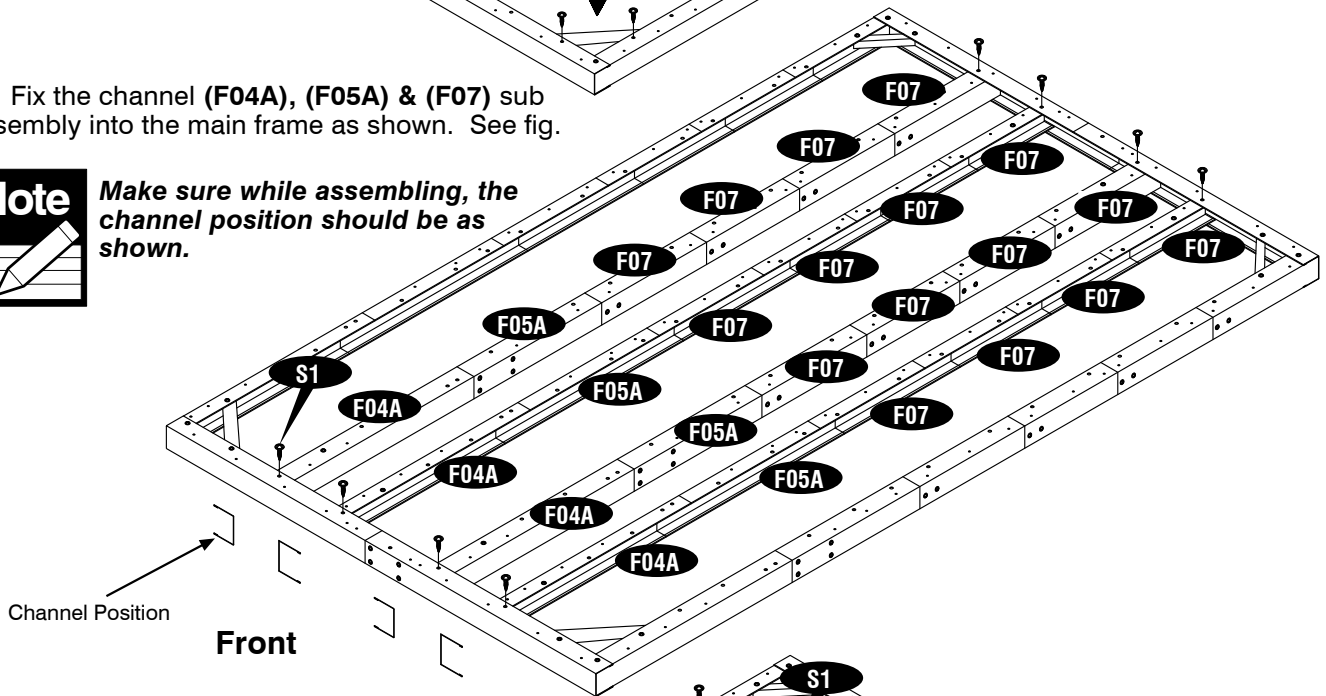
4. Fix the 'L' angle (F03) to the channel at all the four corners to make a perfect frame. See fig.



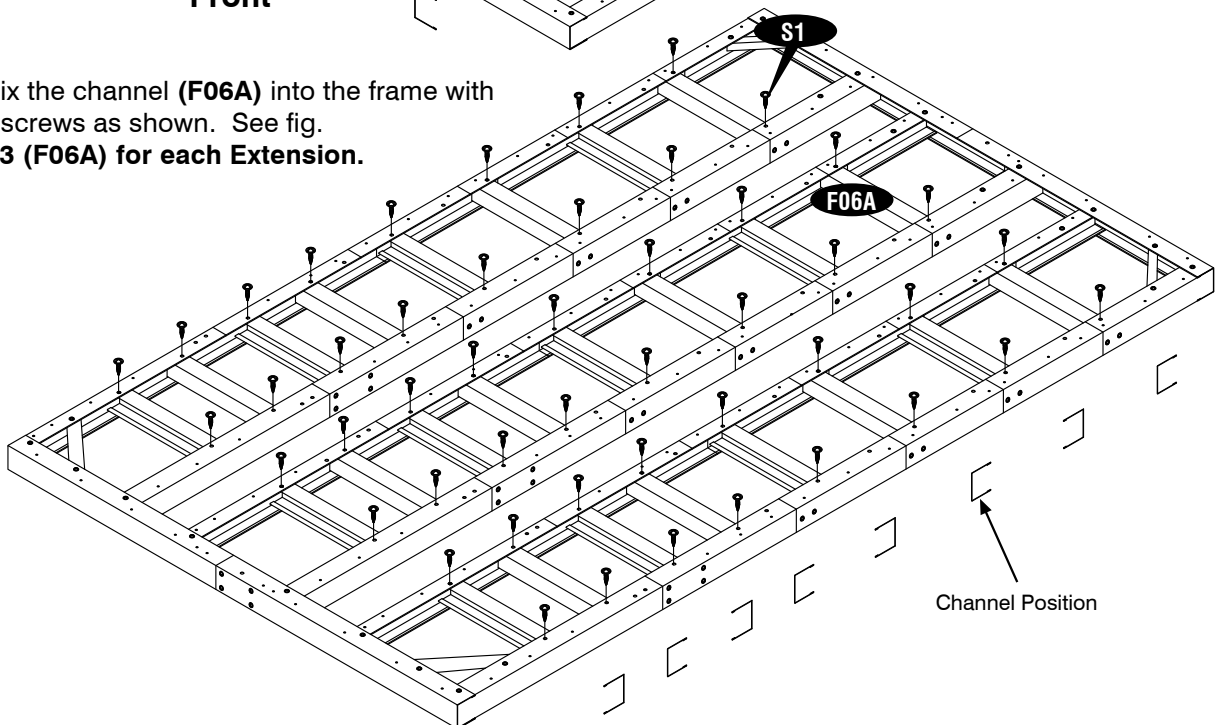
5. Fix the channel (F04A), (F05A) & (F07) sub assembly into the main frame as shown. See fig.



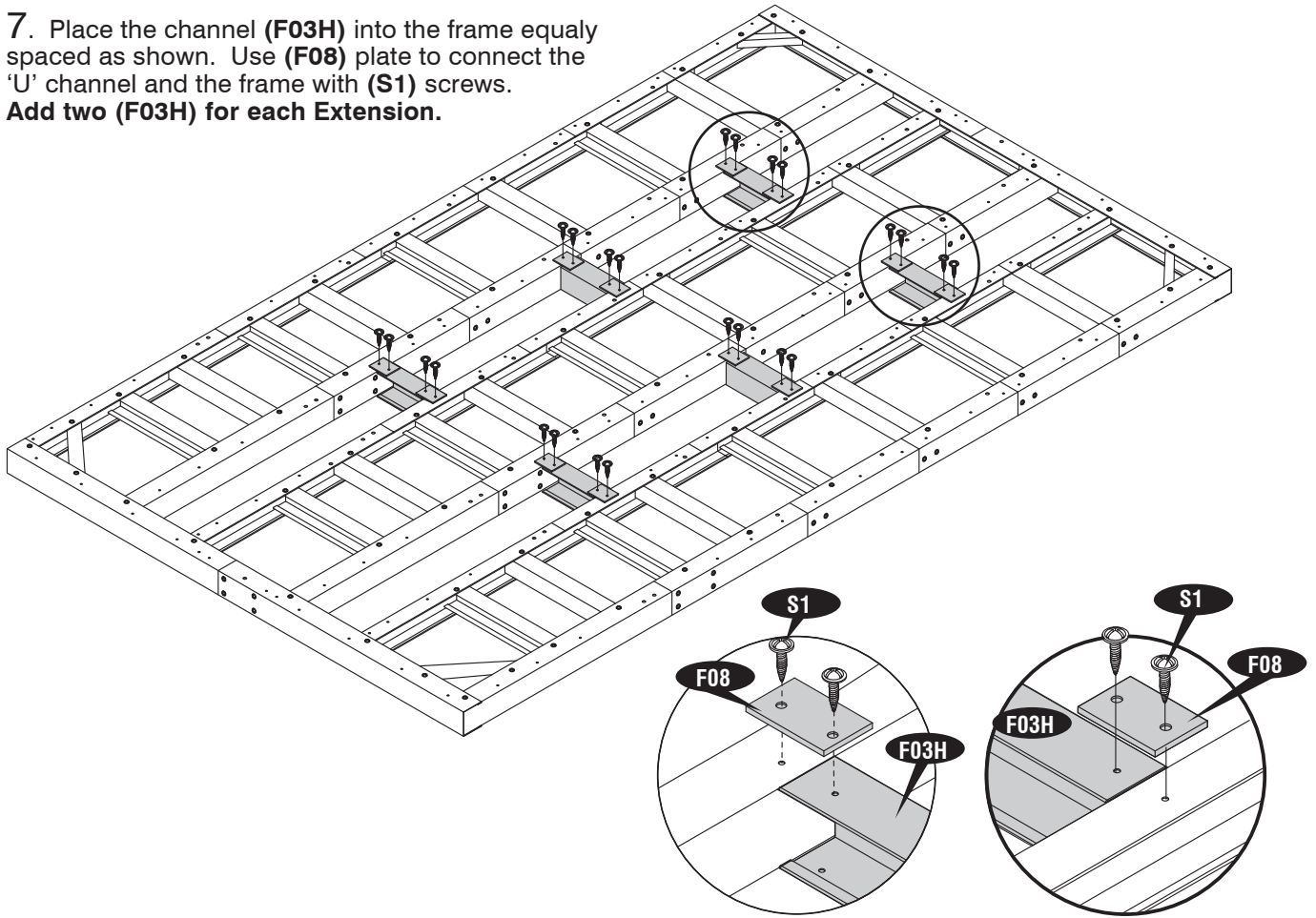
Note Make sure while assembling, the channel position should be as shown.



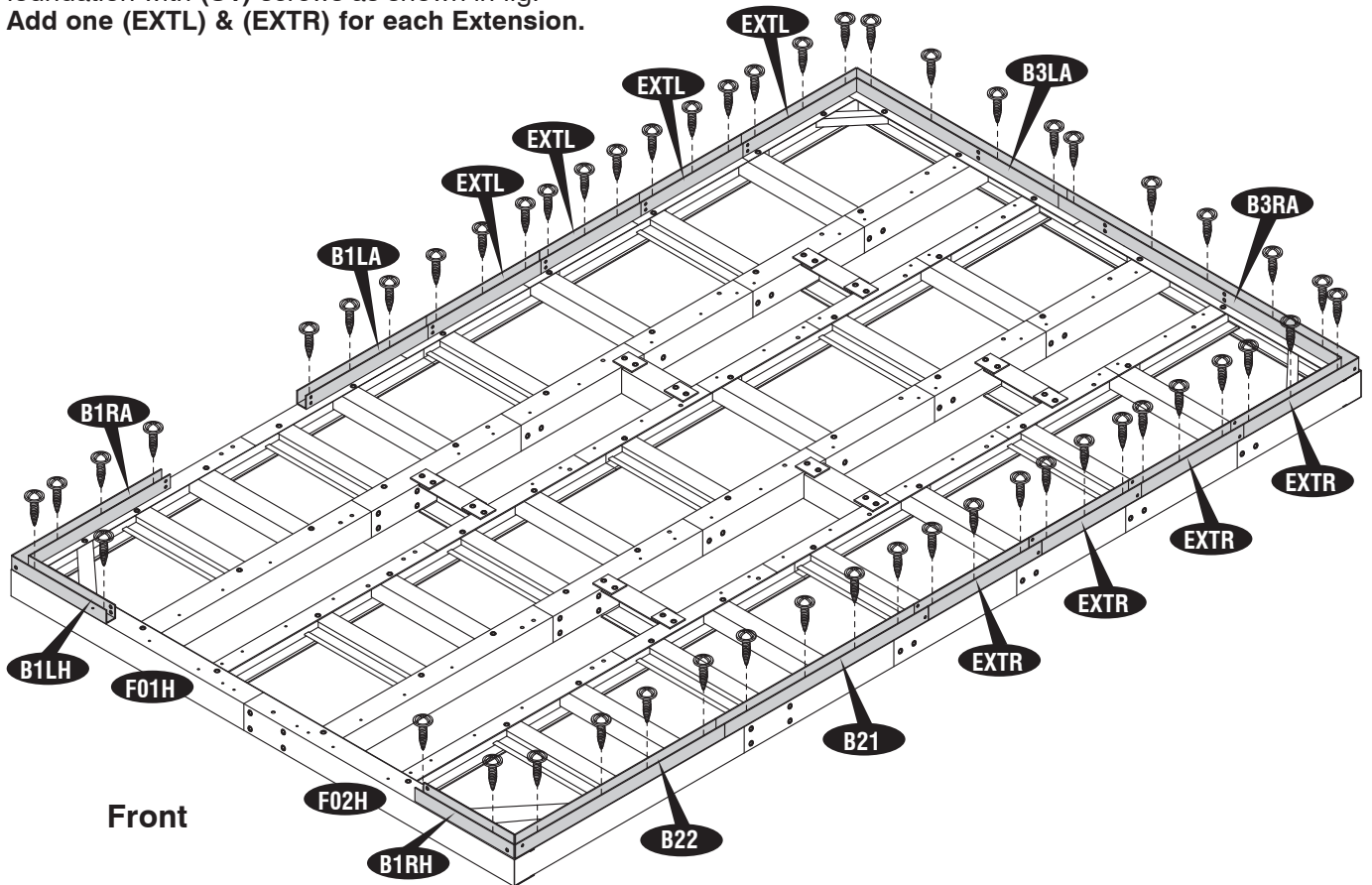
6. Fix the channel (F06A) into the frame with (S1) screws as shown. See fig.
Add 3 (F06A) for each Extension.



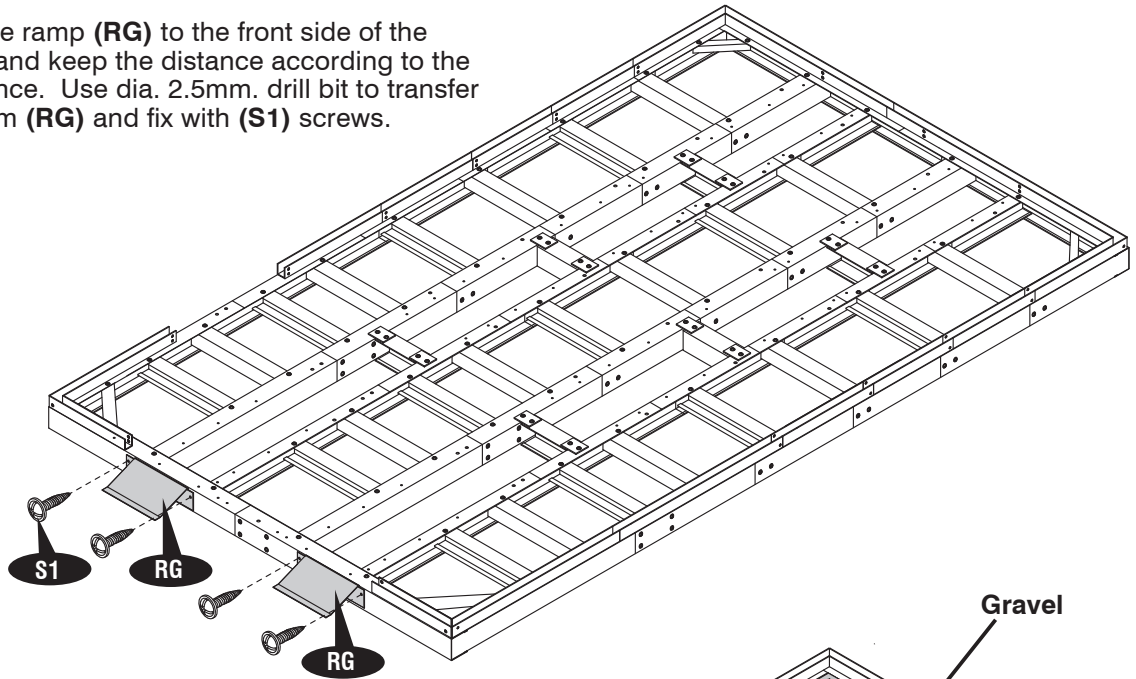
7. Place the channel (F03H) into the frame equally spaced as shown. Use (F08) plate to connect the 'U' channel and the frame with (S1) screws. Add two (F03H) for each Extension.



8. Assemble the Base U-Channel on top of the foundation with (S1) screws as shown in fig. Add one (EXTL) & (EXTR) for each Extension.



9. Place the ramp (RG) to the front side of the foundation and keep the distance according to the wheel distance. Use dia. 2.5mm. drill bit to transfer the hole from (RG) and fix with (S1) screws.

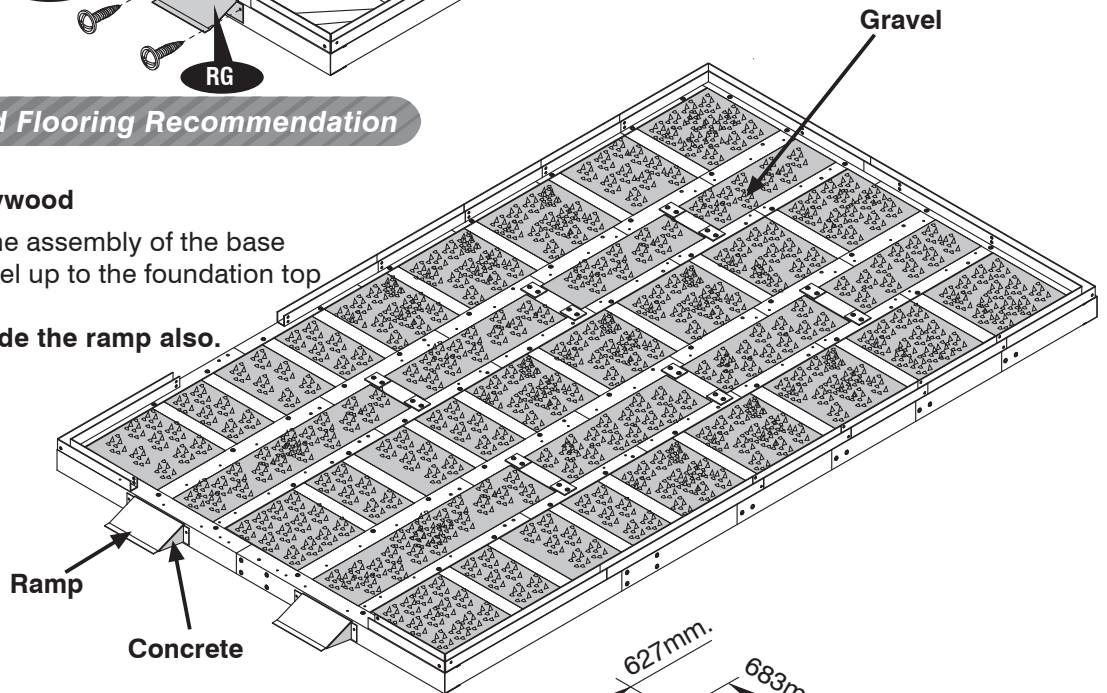


Filler Material and Flooring Recommendation

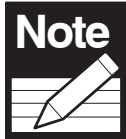
**OPTION - 1.
Gravel Floor with Plywood**

a. After completing the assembly of the base U-channel fill the gravel up to the foundation top surface only.

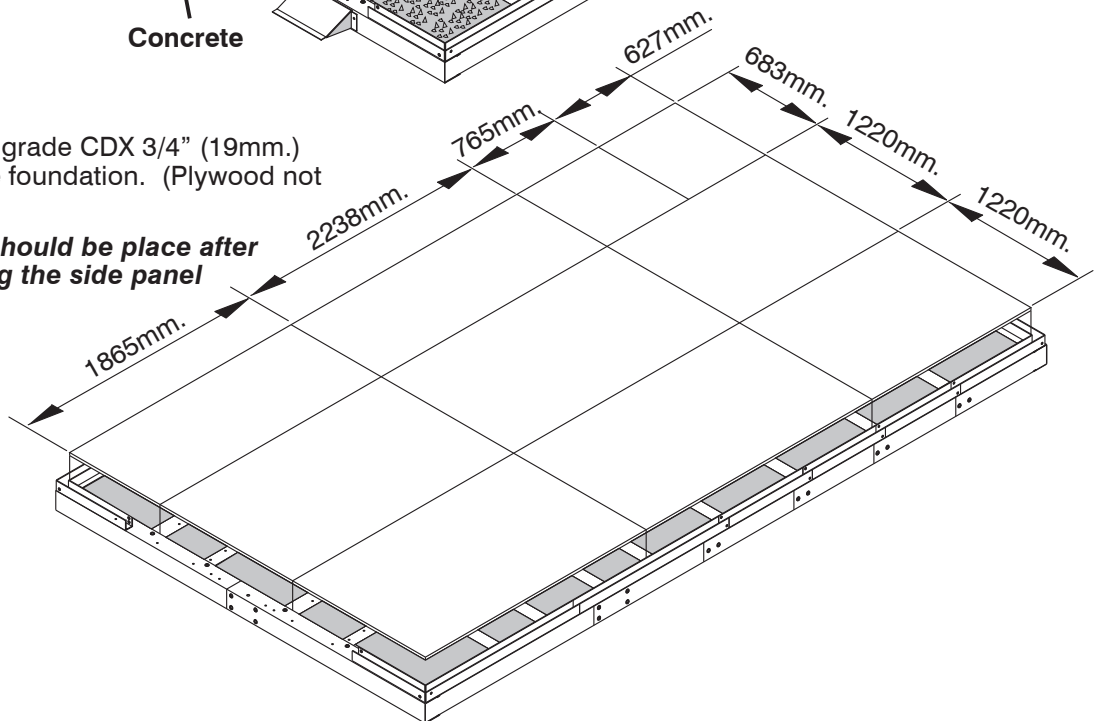
Fill the concrete inside the ramp also.



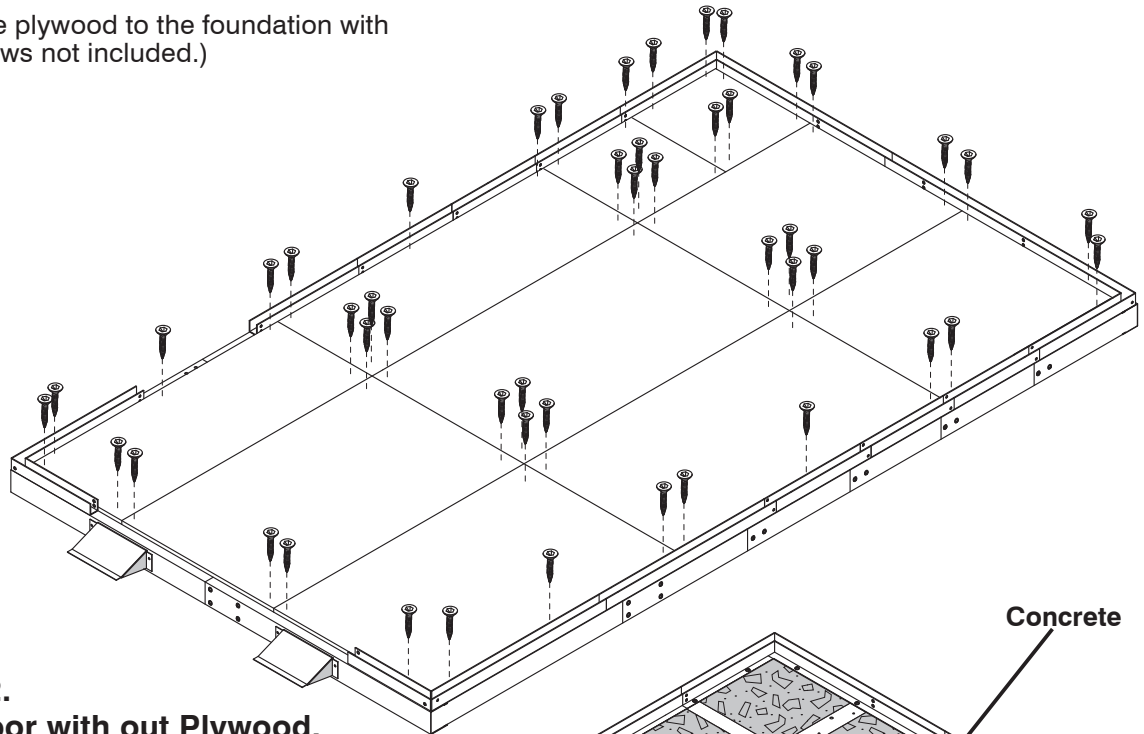
b. Place the exterior grade CDX 3/4" (19mm.) plywood on top of the foundation. (Plywood not included.)



Note Plywood should be place after completing the side panel assembly.

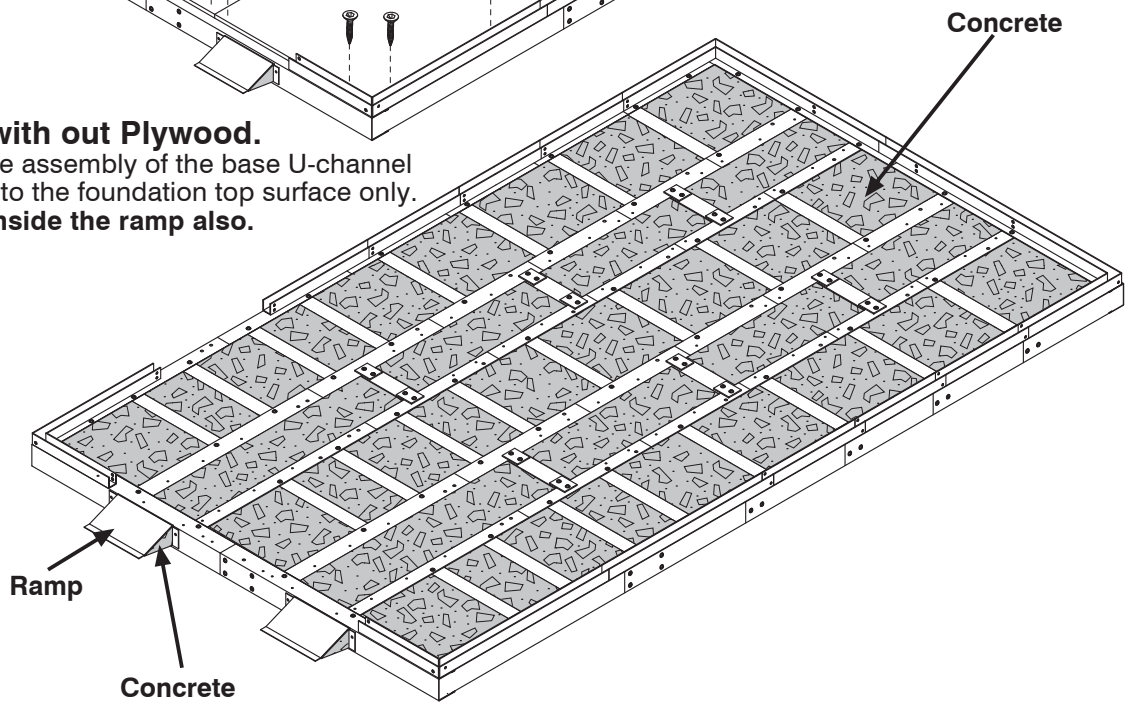


C. Secure the plywood to the foundation with screws. (Screws not included.)



**OPTION - 2.
Cement Floor with out Plywood.**

After completing the assembly of the base U-channel fill the concrete up to the foundation top surface only. Fill the concrete inside the ramp also.



B. Walls & Columns



Parts Needed:

- (1) Door Column (CDRA)
- (1) Door Column (CDLA)
- (1) Door Column (CDRH)
- (1) Door Column (CDLH)
- (8) Middle Column (CMA)
- (3) Middle Column (CMH)
- (4) Corner Column (CCA)
- (15) Side Panel (SP †)
- (2) Front Side Panel (FSPH †)
- (2) CB1 Center Band (CB1H)
- (1) CB1 Center Band (CB1A)
- (1) CB3 Center Band (CB3A)
- (5) CB3 Center Band (CB3XA)
- (2) CB4 Center Band (CB4H)
- (1) CB4 Center Band (CB4A)
- (1) CB6 Center Band (CB6H)

- (3) Middle Joining Support (MJ)
- (2) Ramp (RG)
- (4) Center Band Fitting (FCB)
- (3) Center Band Cover (CBC)
- (7) End Plug Square (EPS)
- Screws (S1)
- Screws (S2)
- Machine Screws (S3)

Parts Needed For Each Extension:

- (2) Middle Column (CMH)
- (2) Side Panel (SP †)
- (2) Center Band (CB2A)
- (2) Middle Joining Support (MJ)

1. Slide the door column (**CDRA**) into the base U-channel (**B1RH**) on the right side of the door. Line up the pre drilled holes on column (**CDRA**) with base 'U' channel. Secure with two (**S1**) screws from inside. See fig.

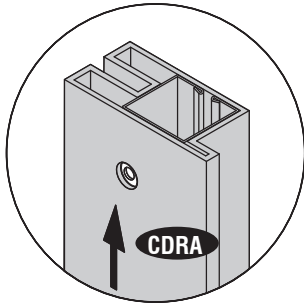


Fig.1

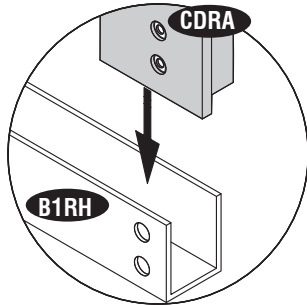


Fig.2

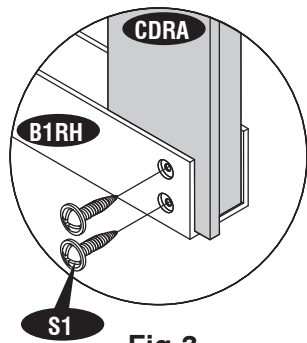
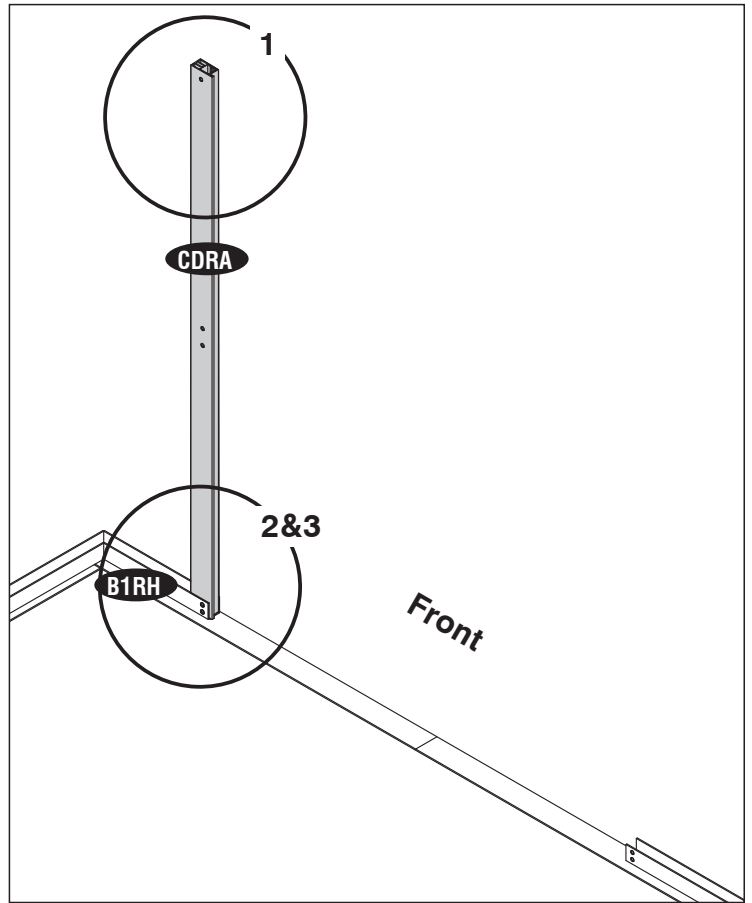


Fig.3



2. Insert the front side panel (**FSPH↑**) into the groove of column (**CDRA**). Start at the bottom of the panel at an angle then push into place.

Note *Always place panels into frame at an angle on top and slide in sideways and downward for easy insertion.*

Note *Make sure panels are right side up with panel shingles facing down. Check the stamped label on top of all panels.*

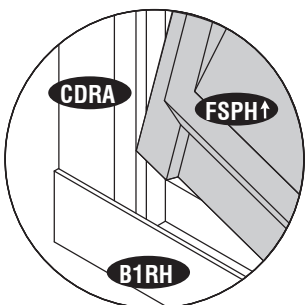
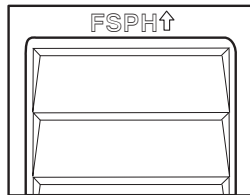
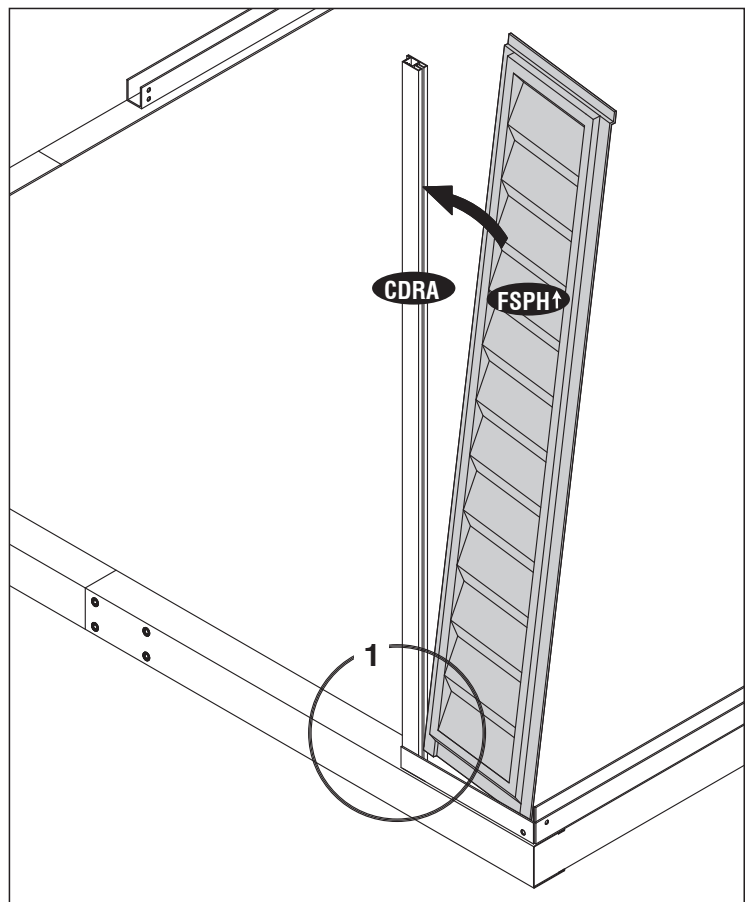


Fig.1



3. Slide the corner column (CCA) into side panel (FSPH↑) pushing the column to the side panel.

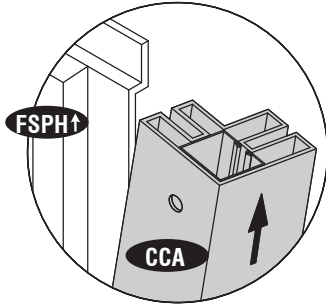


Fig.1

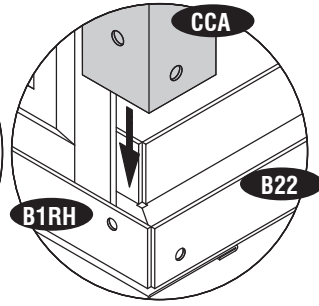


Fig.2

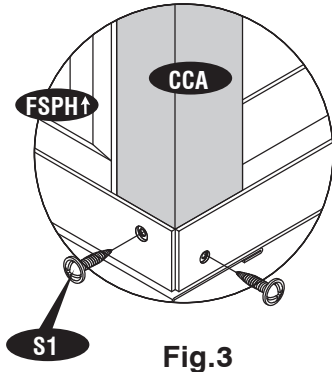
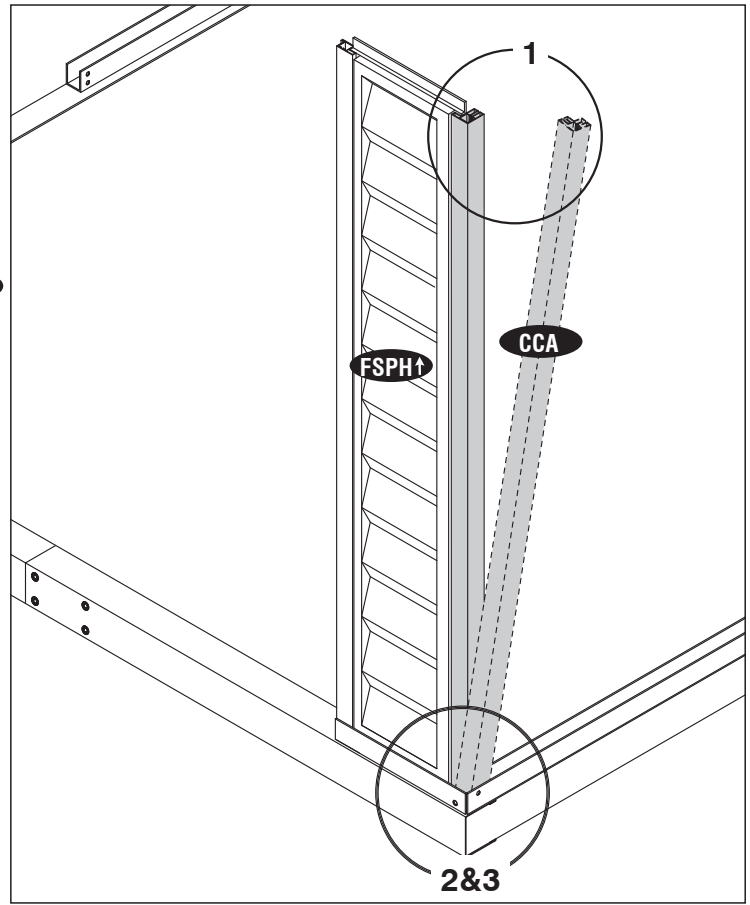
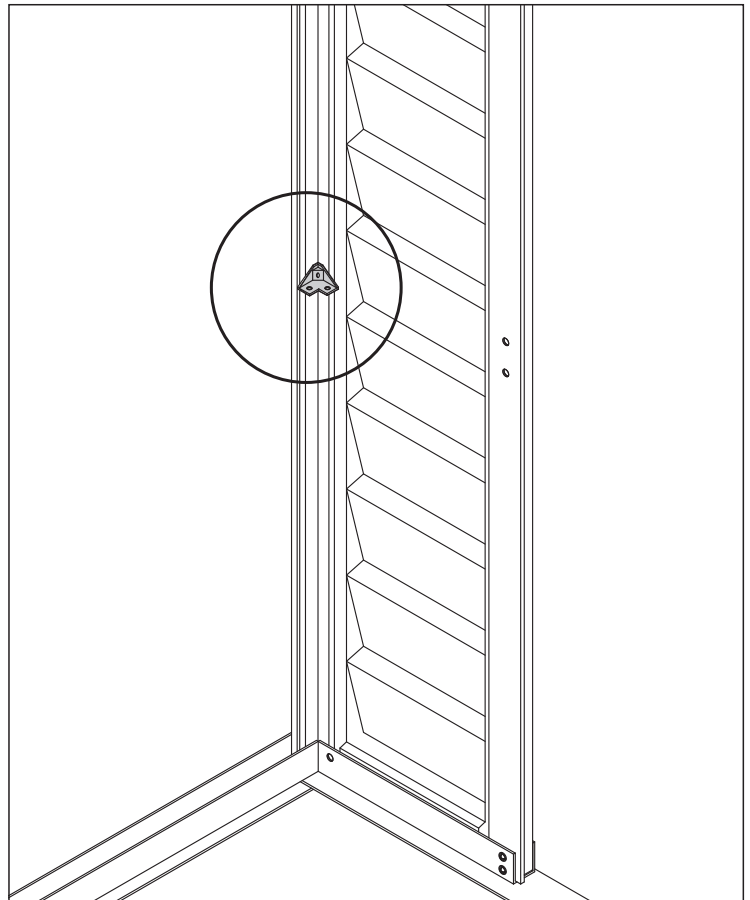
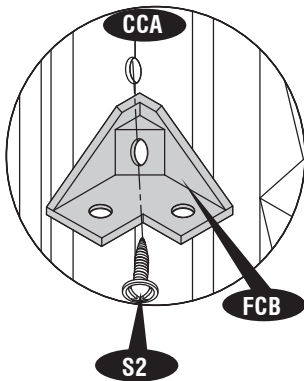


Fig.3



4. Fix the center band fitting (FCB) to the column (CCA) with (S2) screw. Leave it loose.



5. Fix the center band (CB1H) to the center band fitting (FCB) with (S1) screws. See fig.1. Fix the other end to the door column (CDRA). See fig.2.

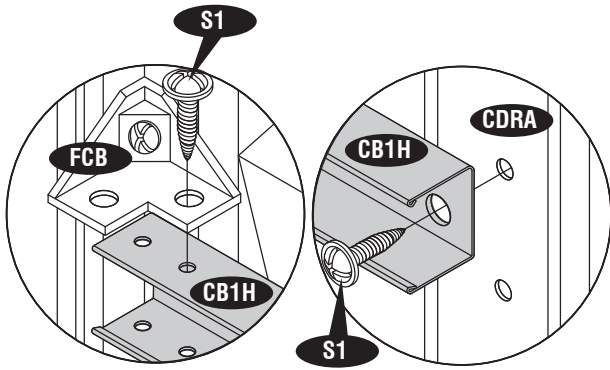
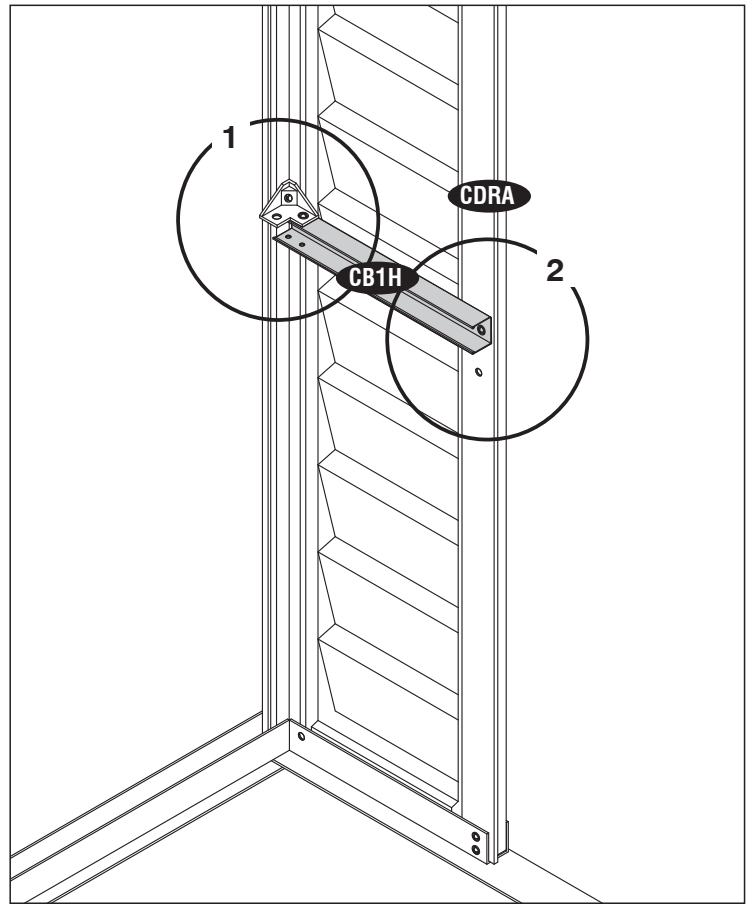


Fig.1

Fig.2



6. Fix the center band (CB4H) to the base 'U' channel (B1RH) and door column (CDRA) with (S1) screws. See fig.1&2. Fix the (EPS) at the end of (CB1H) & (CB4H). See fig.3.

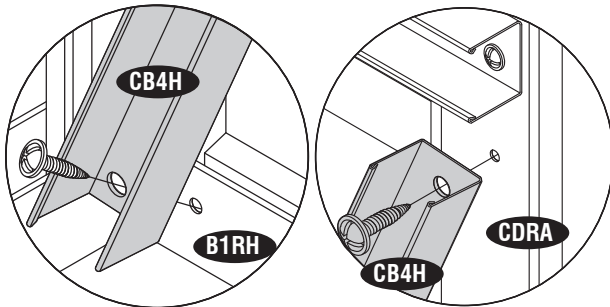


Fig.1

Fig.2

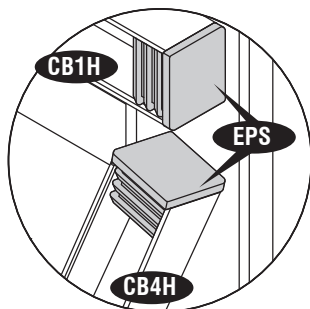
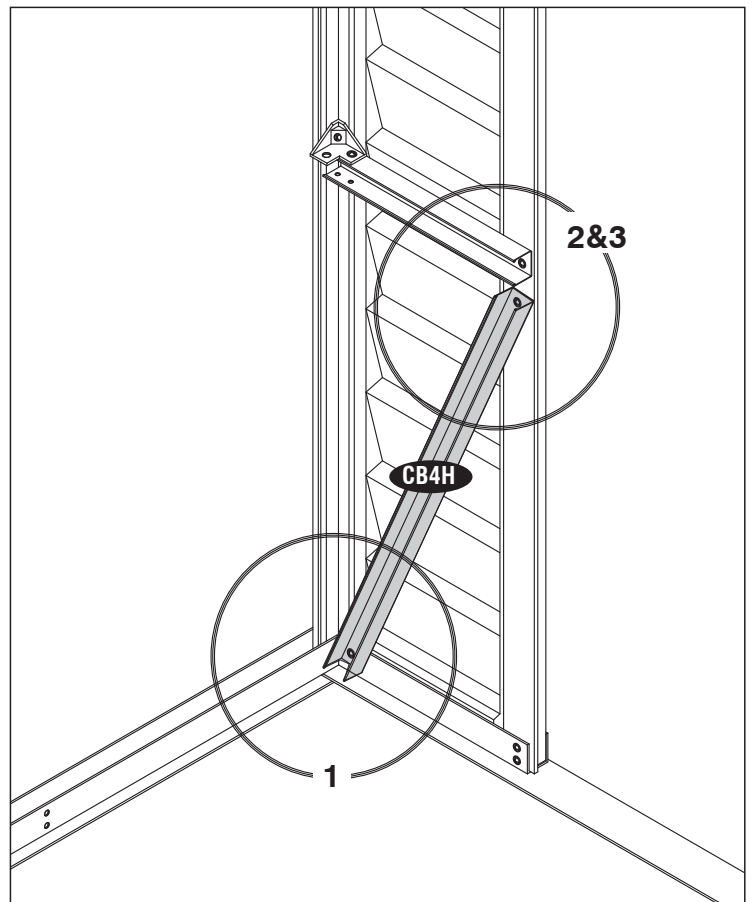
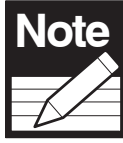


Fig.3

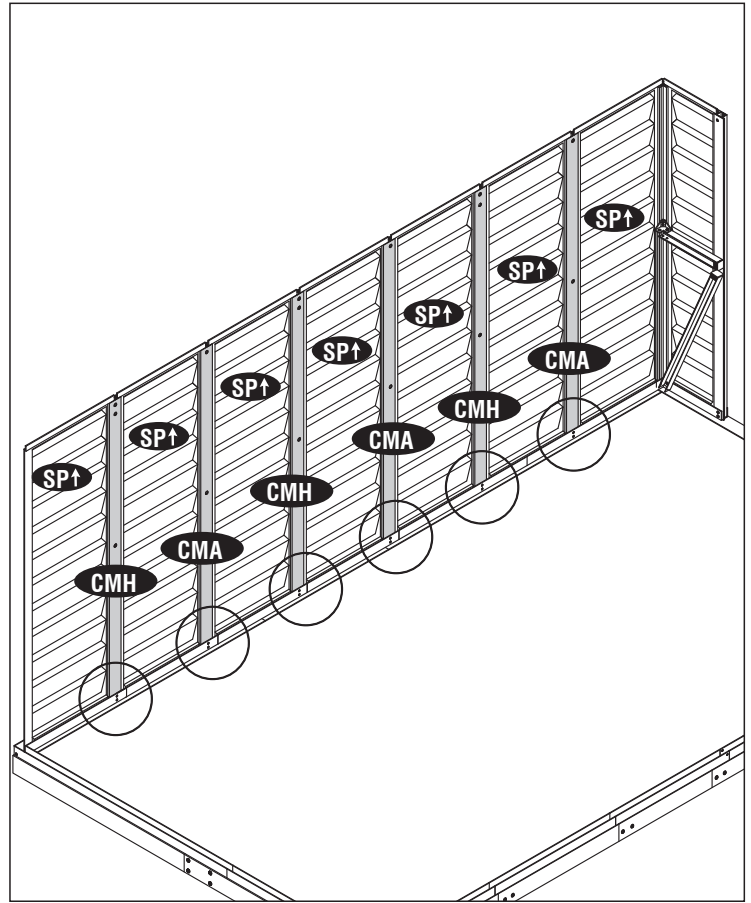
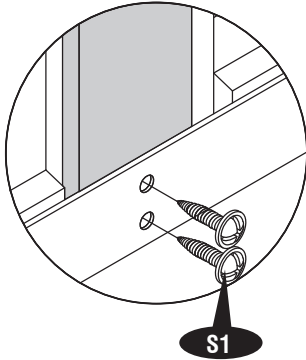


7. Working from inside continue connecting the 7 side panels (SP↑) and columns to the base 'U' channel. Use (S1) screws to fix column to base.

Add one side panel (SP↑) & column (CMH) for each Extension.



Note Window can be fixed any place except front panel.



8. Slide the corner column (CCA) into side panel (SP↑) pushing the column to the side panel. Working from outside use (S1) screws to secure column to base (EXTR) & (B3RA).

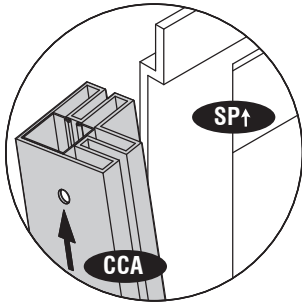


Fig.1

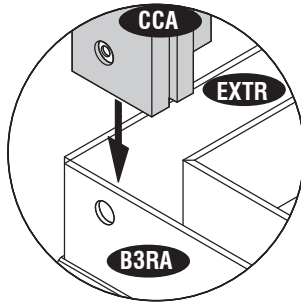


Fig.2

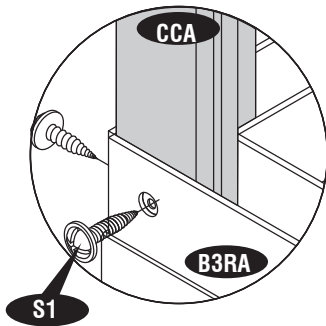
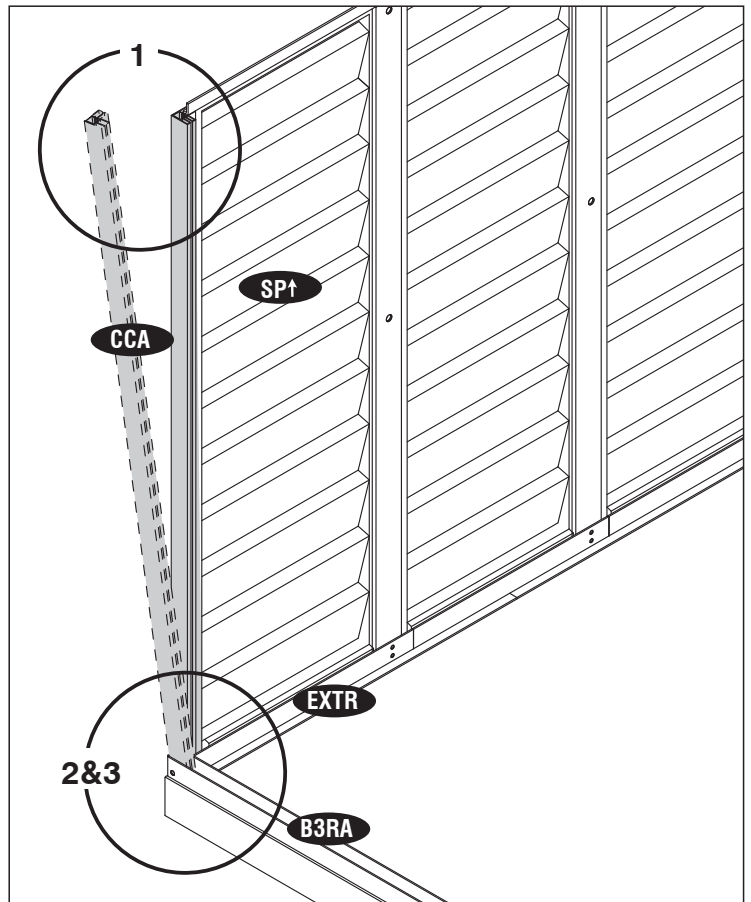
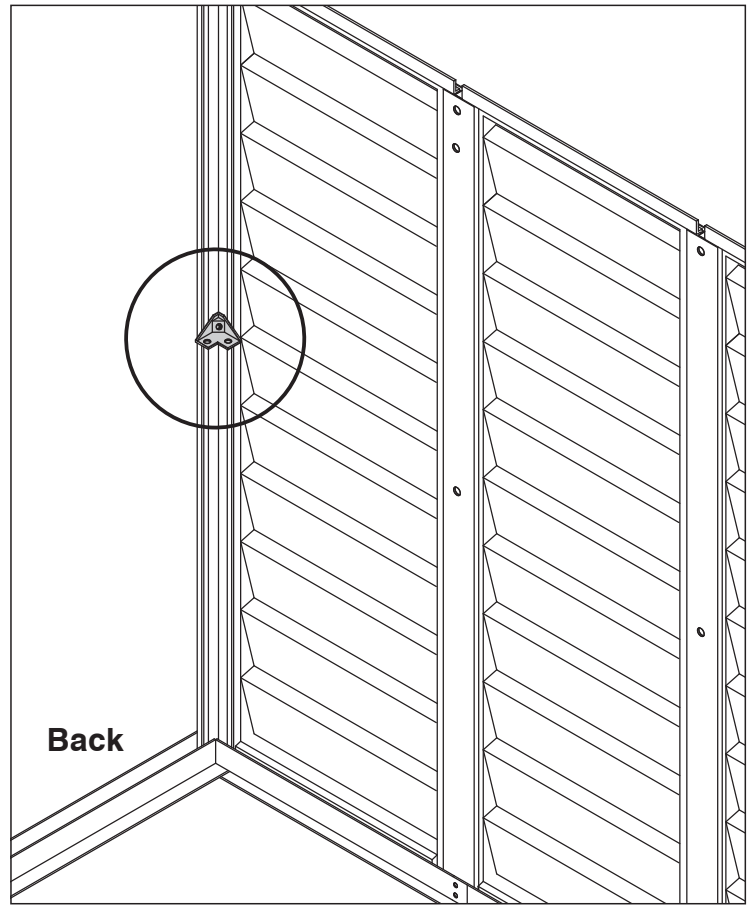
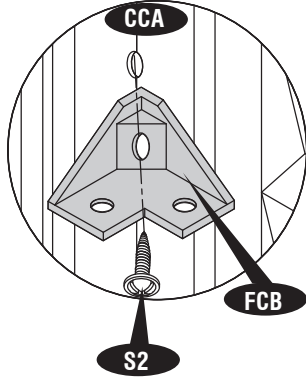


Fig.3



9. Fix the center band fitting (FCB) to the column (CCA) with (S2) screw. Leave it loose.



10. Assemble the center bands (CB3XA) with middle joining support (MJ) with (S1) Screws. See fig.1. Assemble (CB3XA) & (CB3A) together with (S3) bolt & nut. See fig. 2. Assemble (CB3A) & (CB2A) together with (S1) screws. See fig. 3. Add one (CB2A) for each Extension.

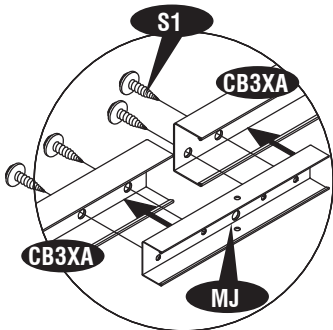


Fig.1

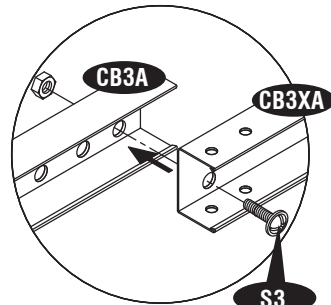


Fig.2

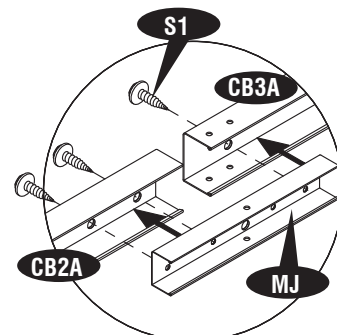
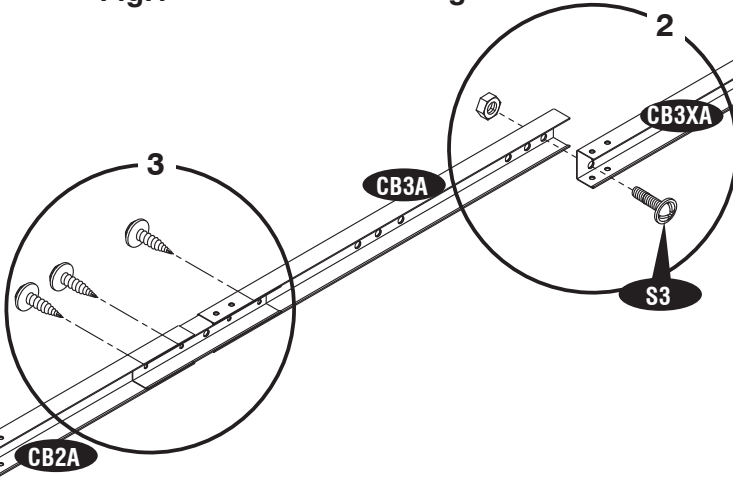
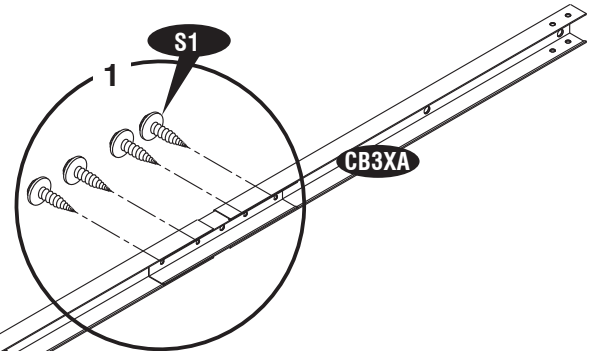


Fig.3

11. Stabilize the side panels with center bands (CB3XA) & (CB3A) assembly. See fig.1 to 6 and follow the steps.

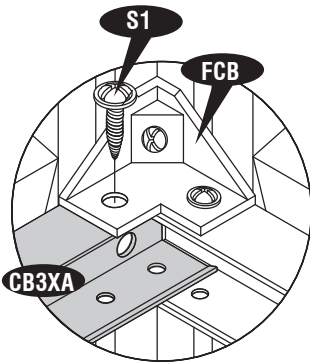


Fig.1

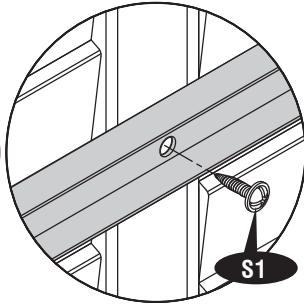


Fig.2

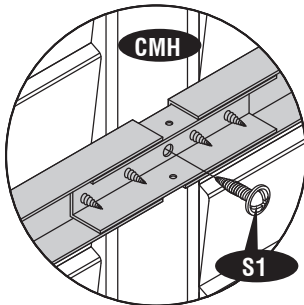


Fig.3

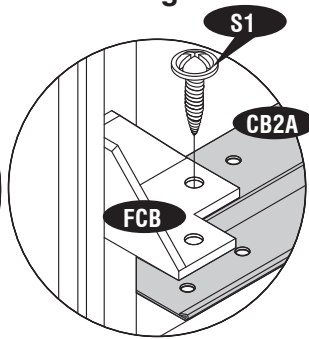


Fig.4

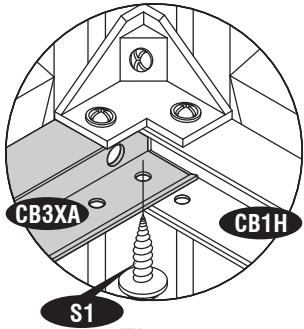


Fig.5

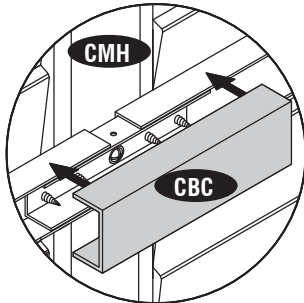
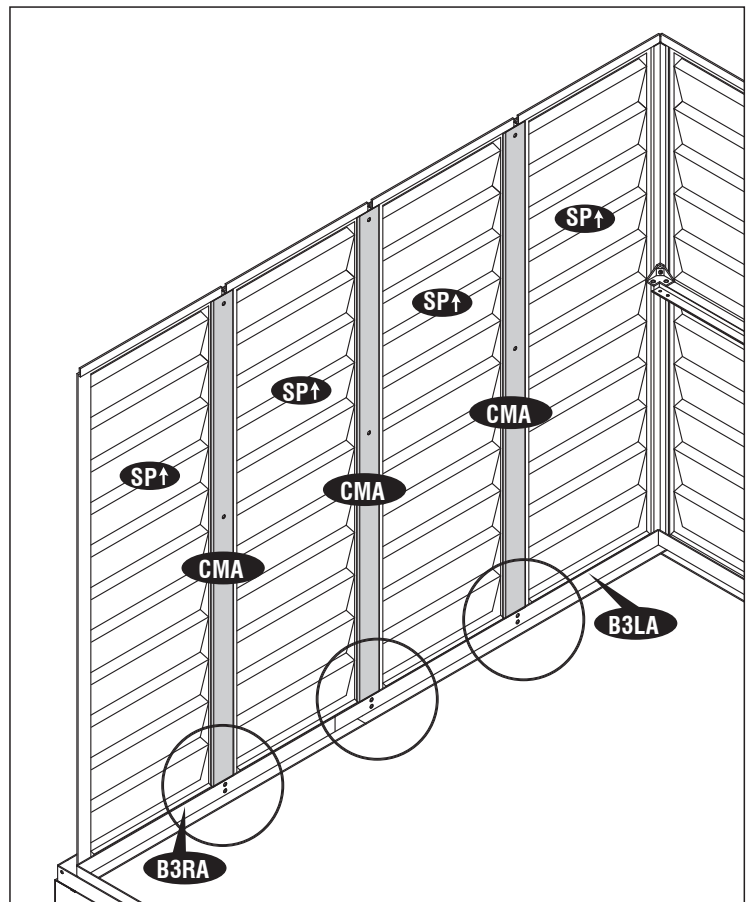
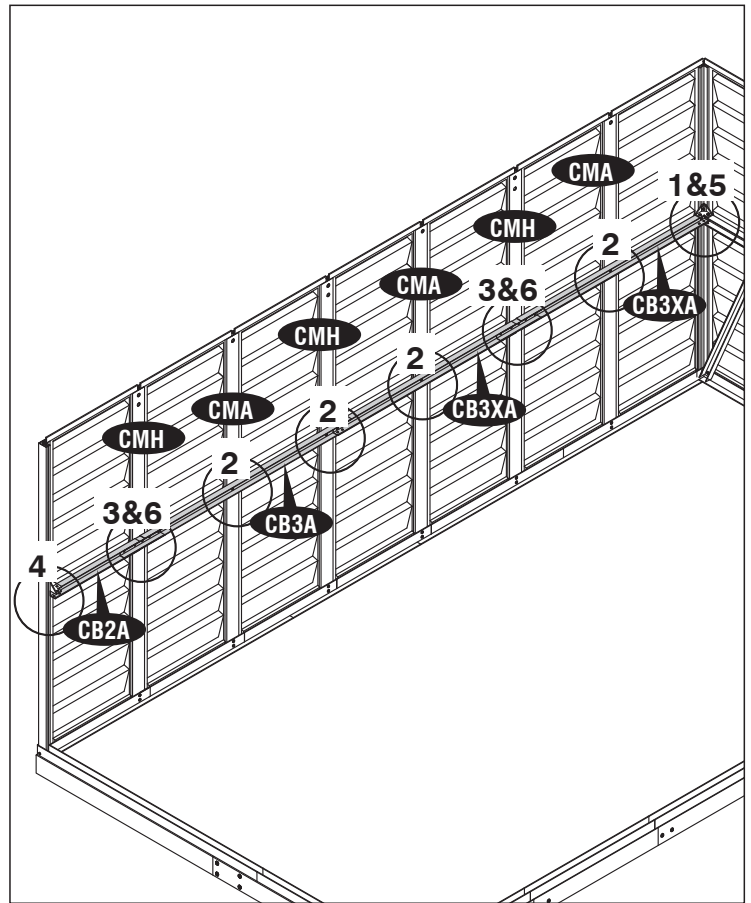
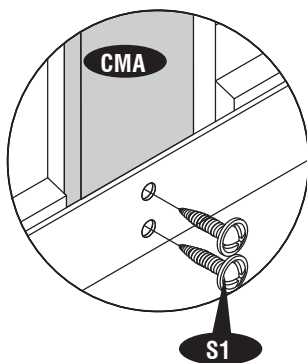


Fig.6

12. Working from inside continue connecting the 3 side panels (SP↑) and columns to the base 'U' channel. Use (S1) screws to fix column to base.



13. Slide the corner column (CCA) into side panel (SP↑) pushing the column to the side panel. Working from outside use (S1) screws to secure column to base (B3LA) & (EXTL).

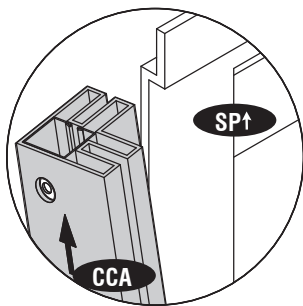


Fig.1

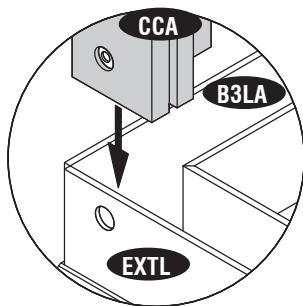


Fig.2

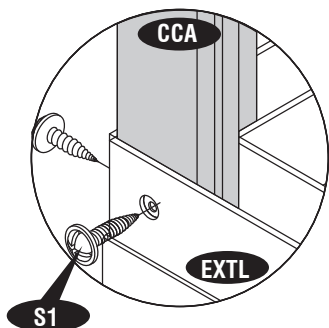
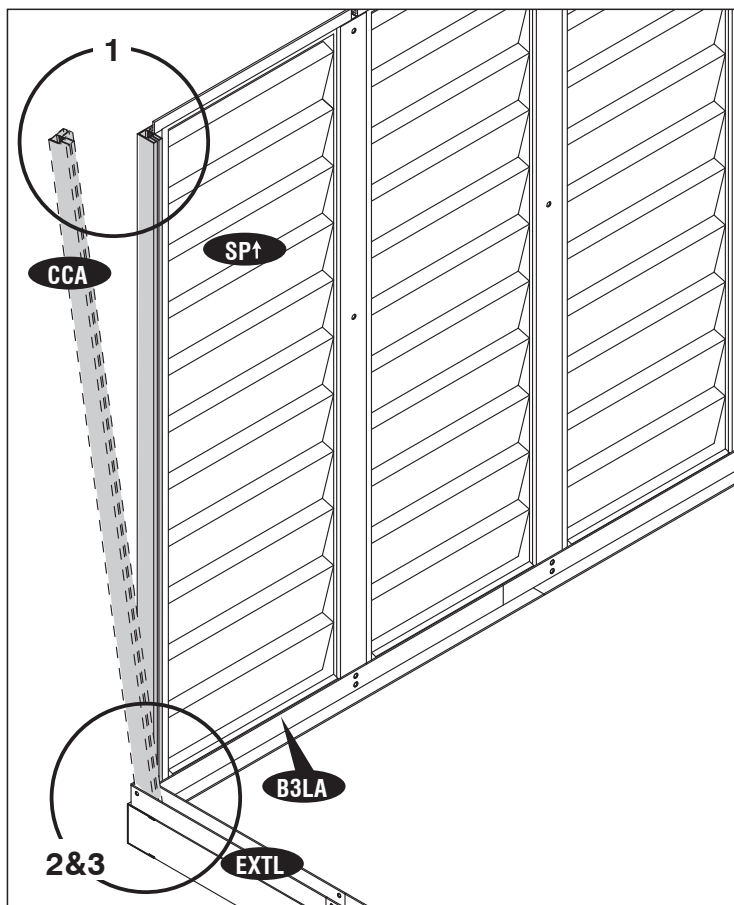
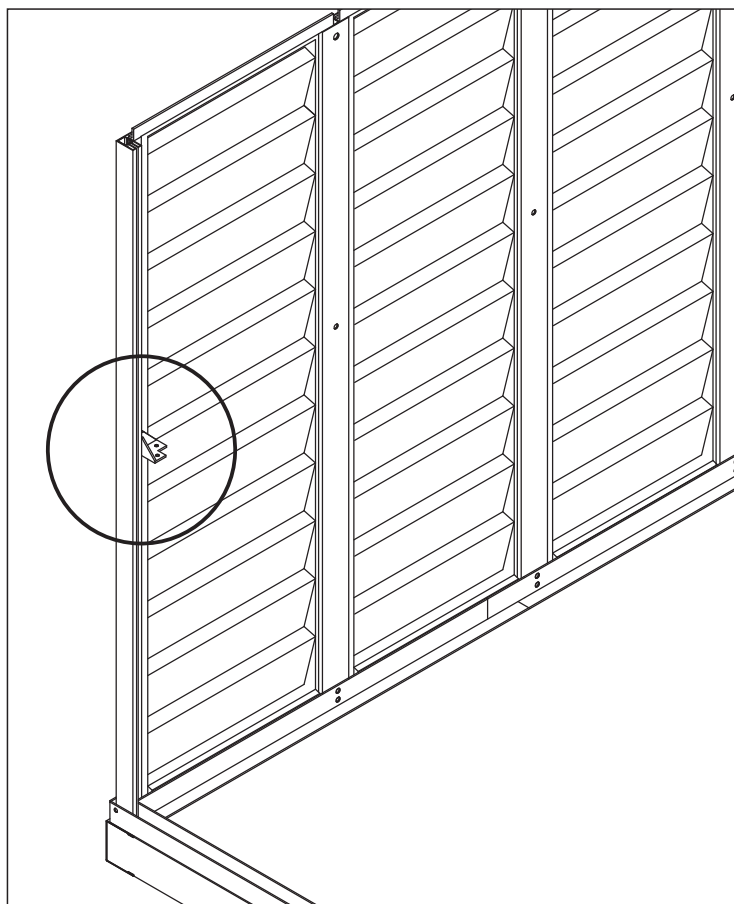
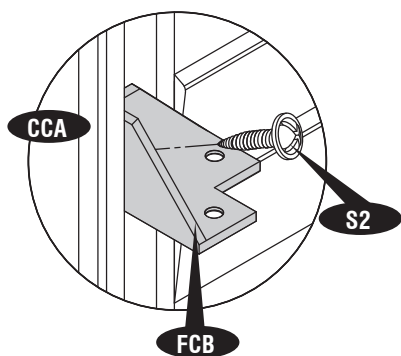


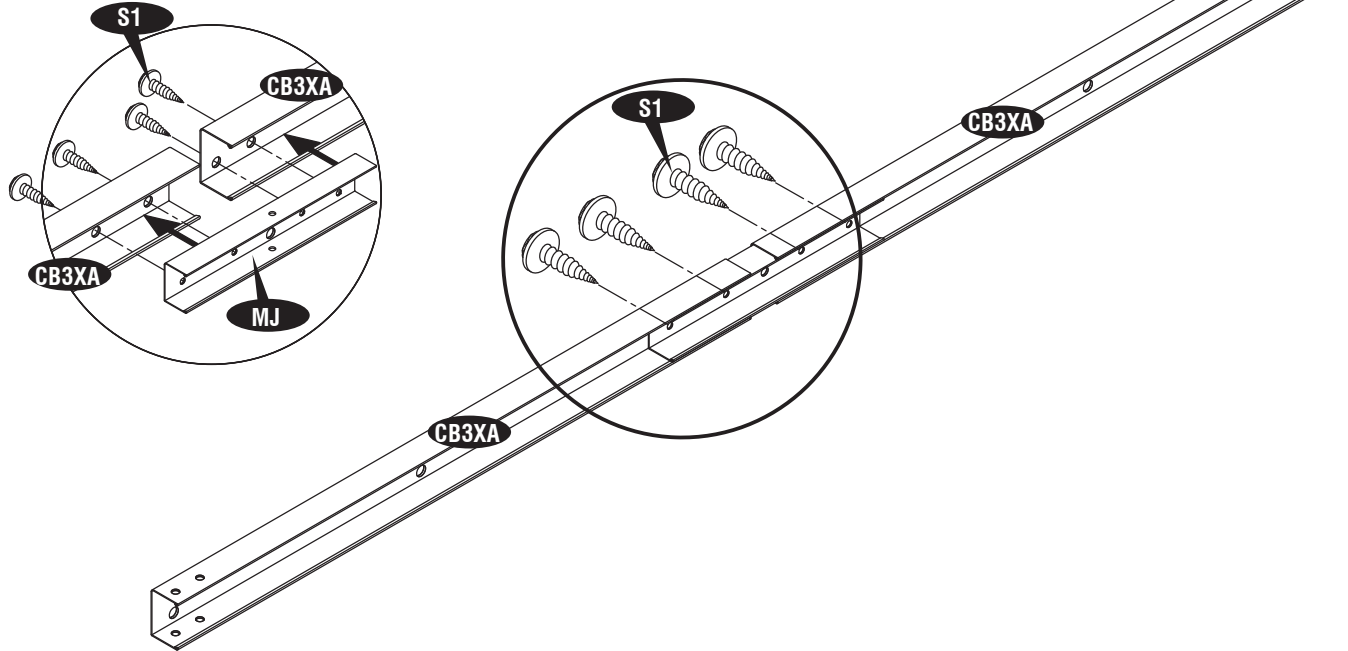
Fig.3



14. Fix the center band fitting (FCB) to the column (CCA) with (S2) screw. Leave it loose.



15. Assemble the center bands (**CB3XA**) with middle joining support (**MJ**) with (**S1**) screws. See fig.



16. Stabilize the side panels with center bands (**CB3XA**) assembly. See fig.1 to 6 and follow the steps.

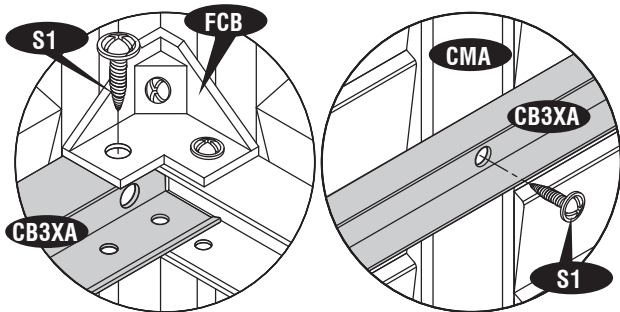


Fig.1

Fig.2

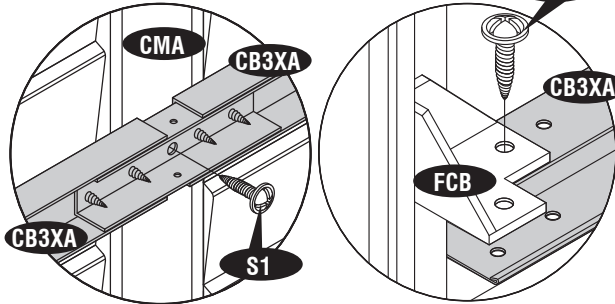


Fig.3

Fig.4

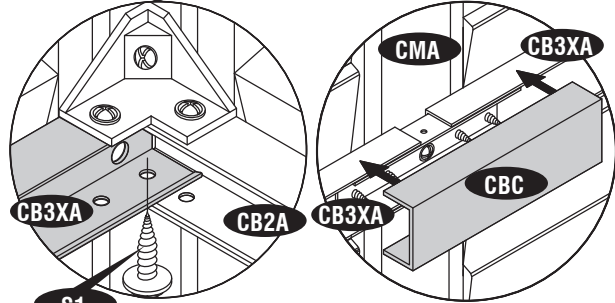
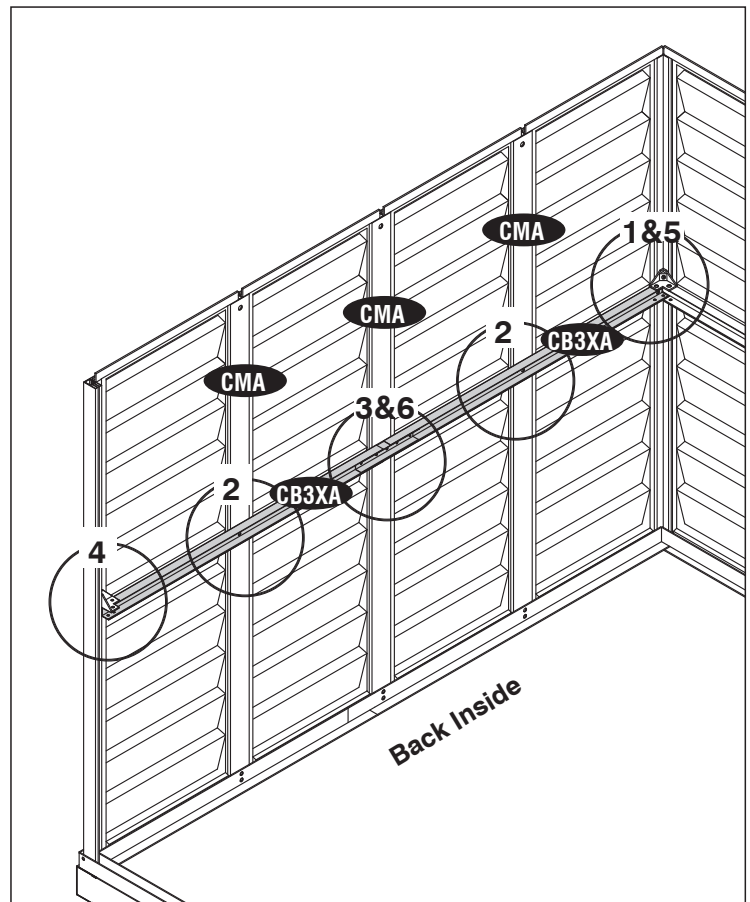
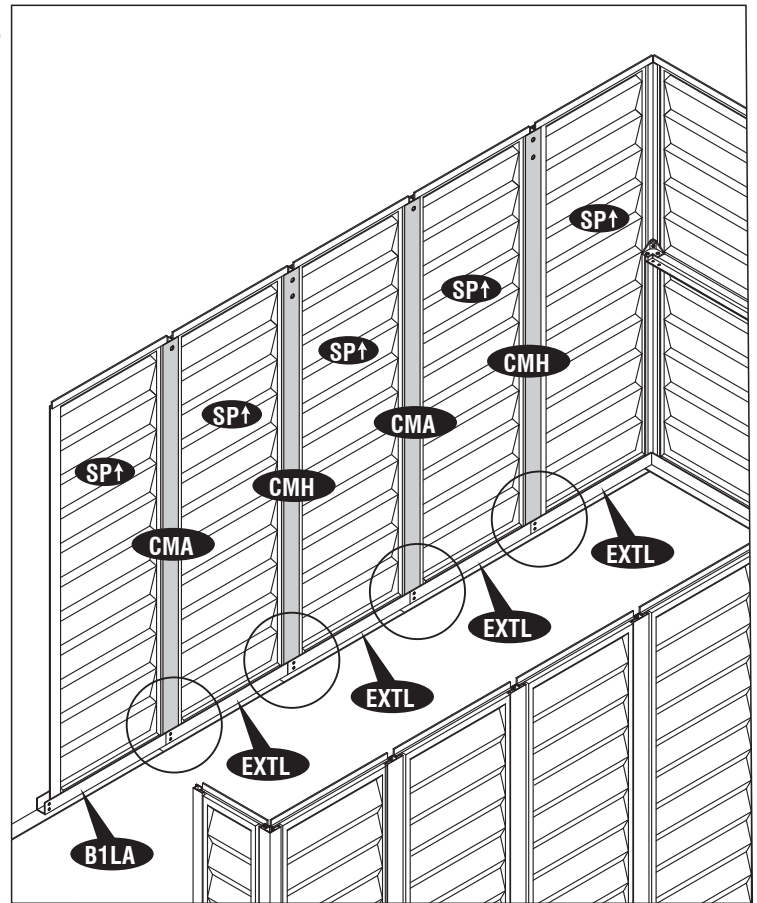
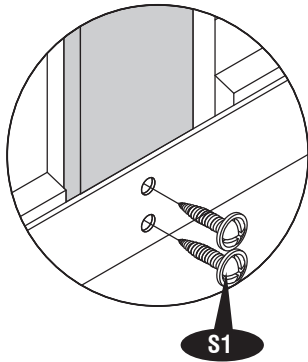


Fig.5

Fig.6



17. Working from inside continue connecting the side panels (**SP↑**) and columns to the base 'U' channel. Use (**S1**) screws to fix column to base.



18. Slide the door column (**CDLH**) into the base 'U' Channel & side panel. Line up the pre drilled holes on (**CDLH**) & base 'U' channel (**B1LA**) & fix with (**S1**) screws from inside.

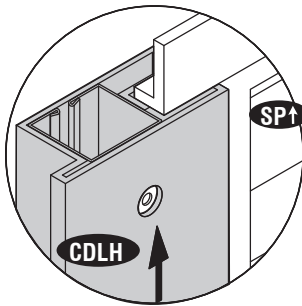


Fig.1

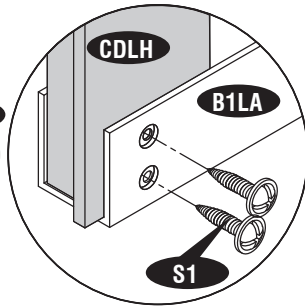
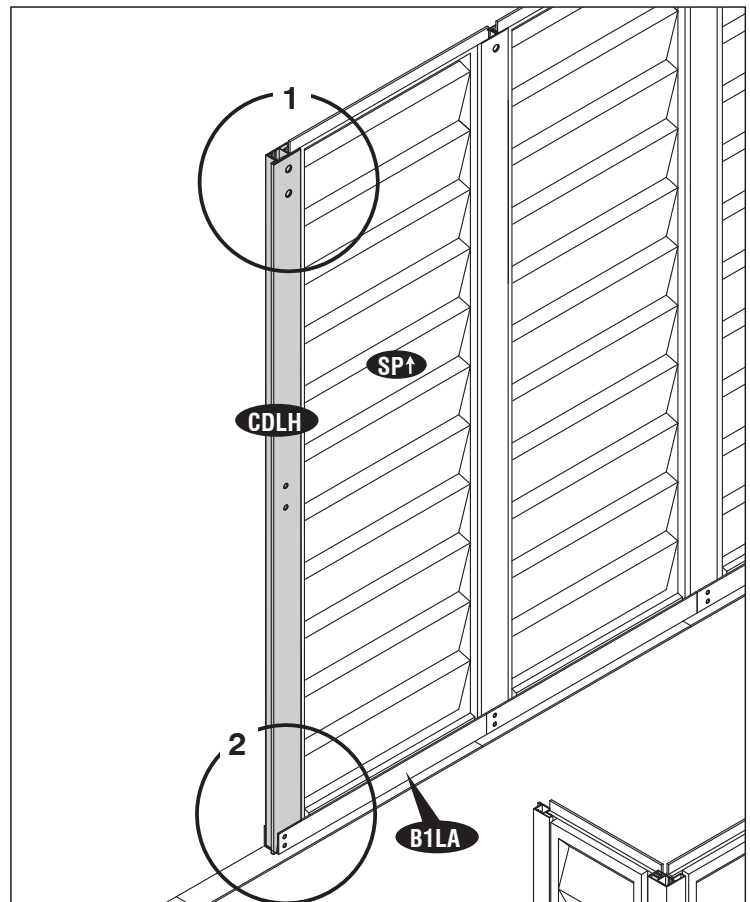


Fig.2



19. Assemble the center bands (CB3XA), (CB6H) & (CB2A) together with middle joining support (MJ) with (S1) Screws. See fig. Add one (CB2A) for each Extension.

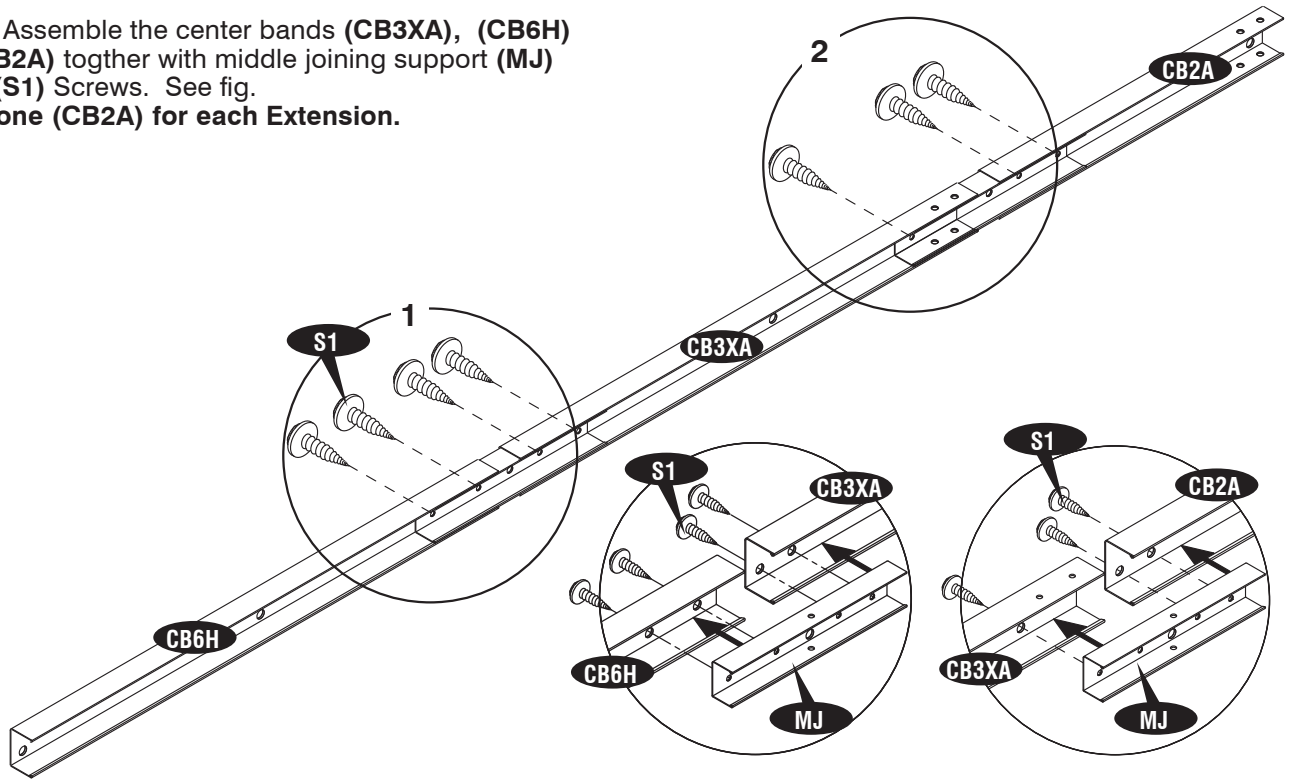


Fig.1

Fig.2

20. Stabilize the side panels with center bands (CB3XA), (CB6H) & (CB2A) assembly. See fig.1 to 5 and follow the steps.

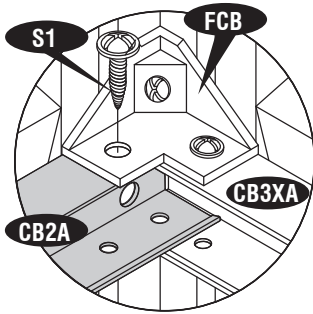


Fig.1

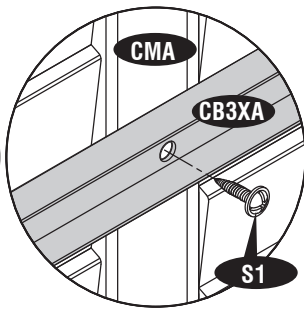


Fig.2

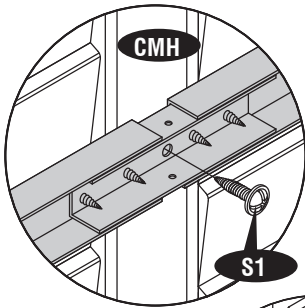


Fig.3

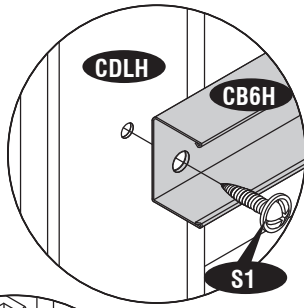


Fig.4

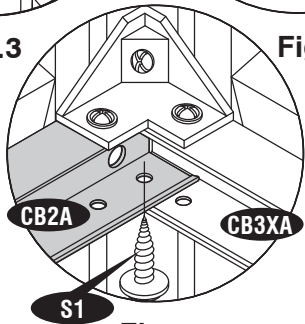
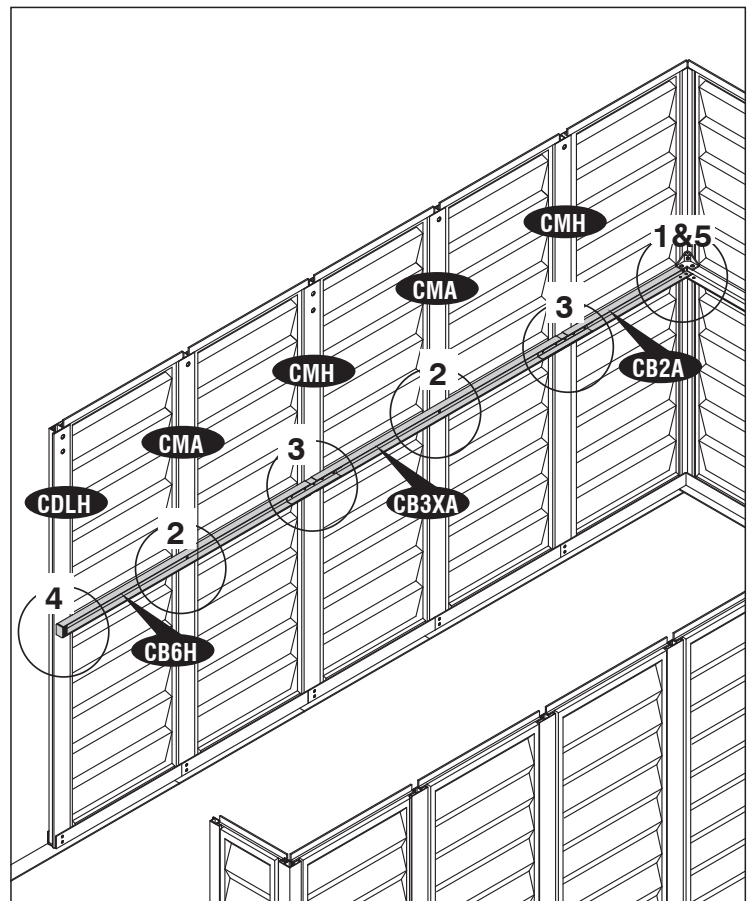


Fig.5



21. Fix the (EPS) at the end of center band (CB6H). See fig.1. Fix the (CBC) to the center band joint position to avoid injury. See fig.2.

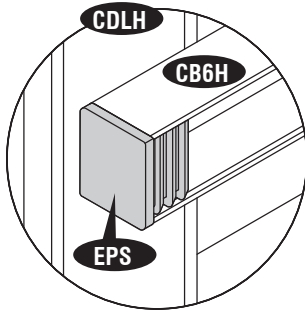


Fig.1

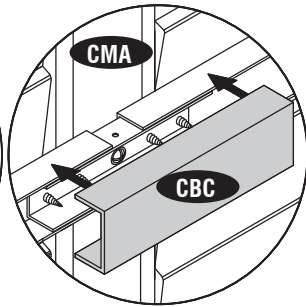
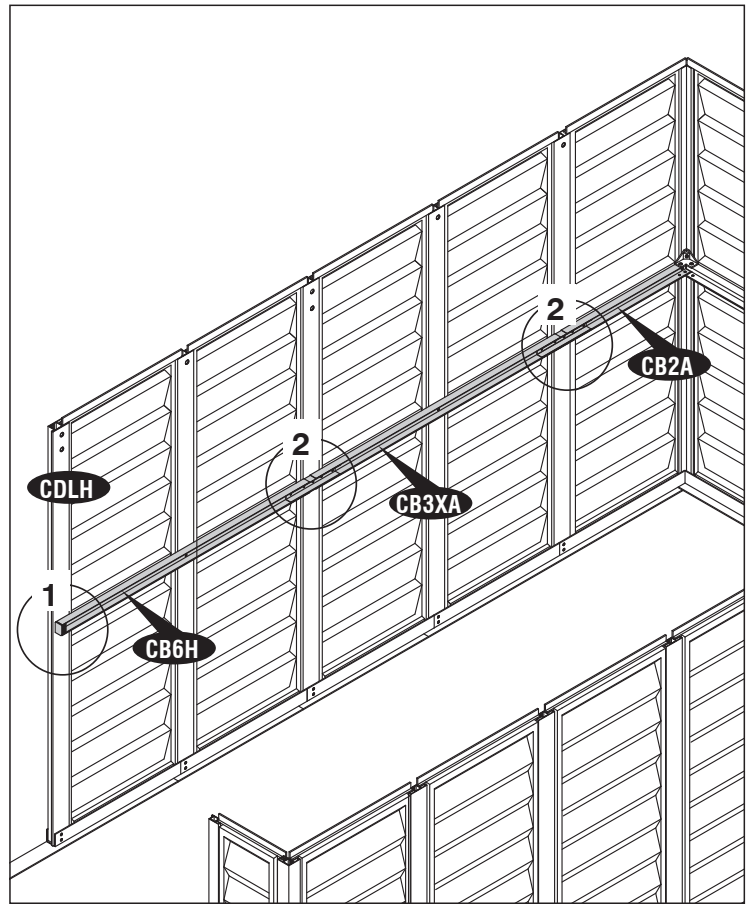


Fig.2



22. Slide the door column (CDRH) into the base 'U' Channel. Line up the pre drilled holes on (CDRH) & base 'U' channel (B1RA) & fix with (S1) screws from inside.

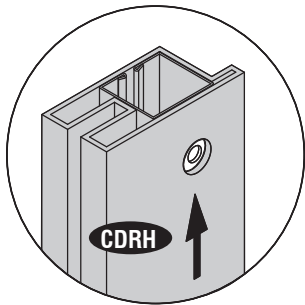


Fig.1

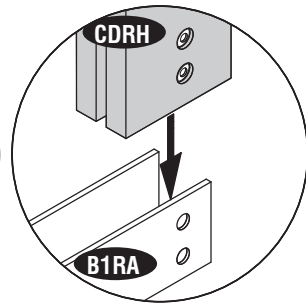


Fig.2

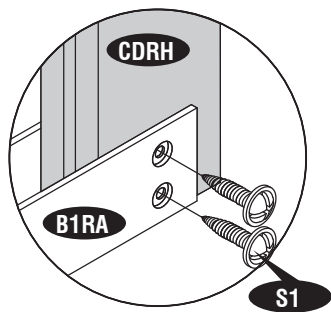
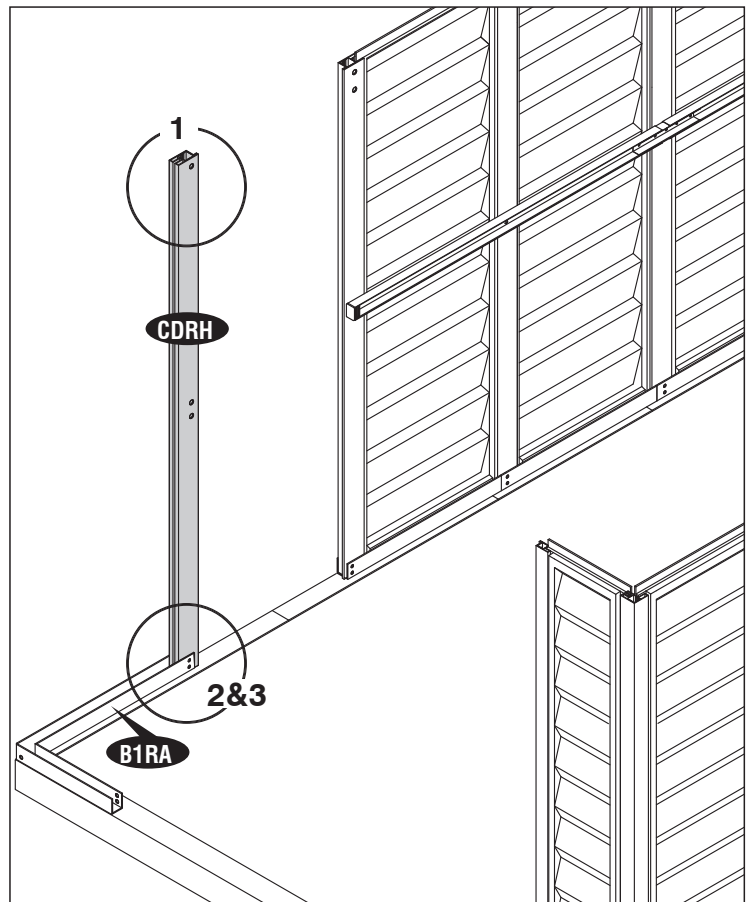
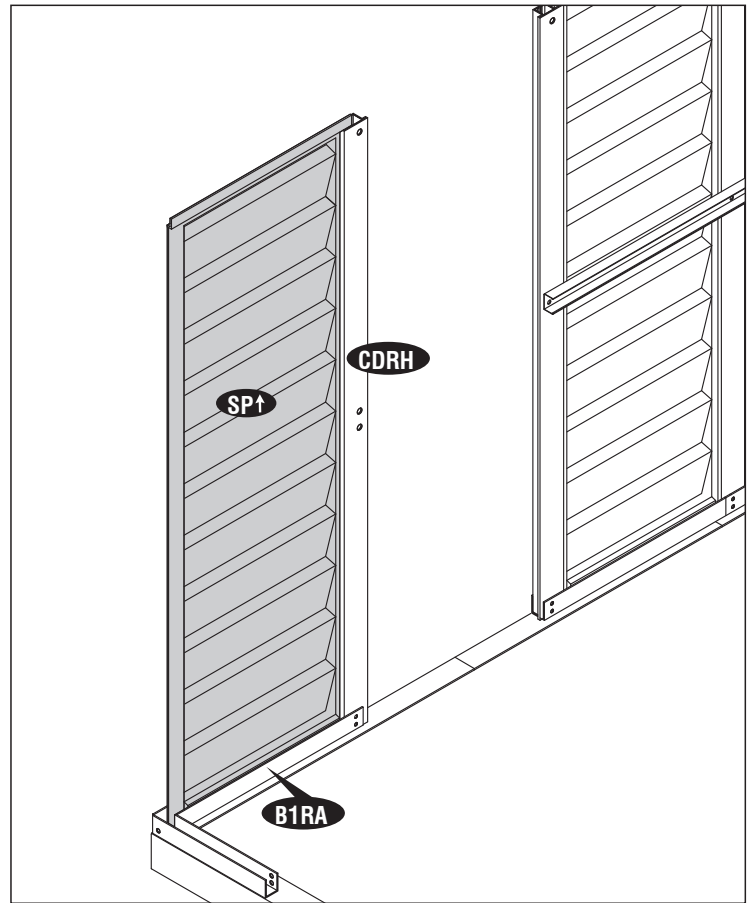


Fig.3



23. Insert the side panel (SP↑) into the groove of column (CDRH) & base 'U' channel (B1RA).



24. Slide the corner column (CCA) into side panel (SP↑) pushing the column to the side panel. Working from outside use (S1) screws to secure column to base (B1RA) & (B1LH).

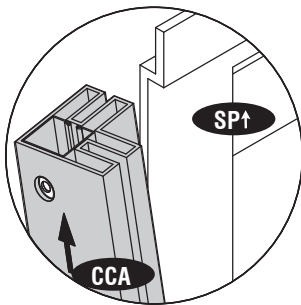


Fig.1

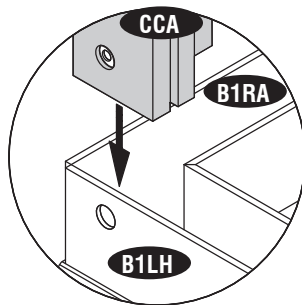


Fig.2

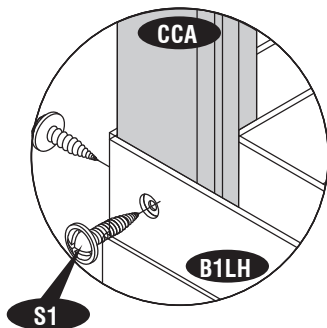
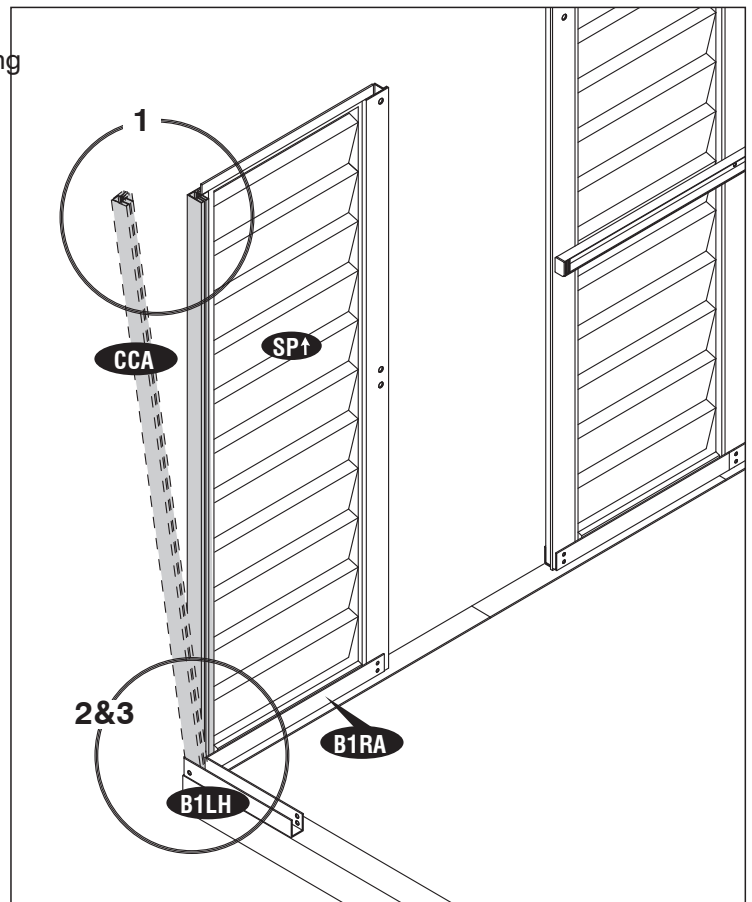
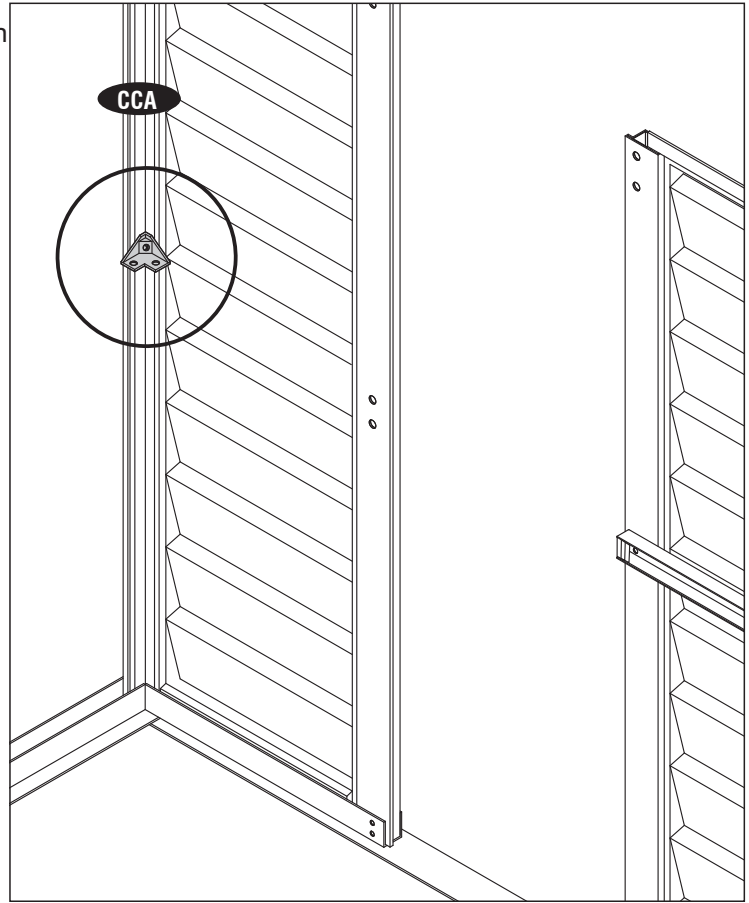
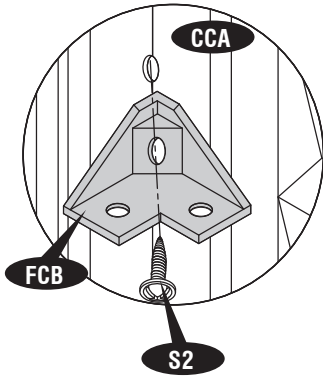


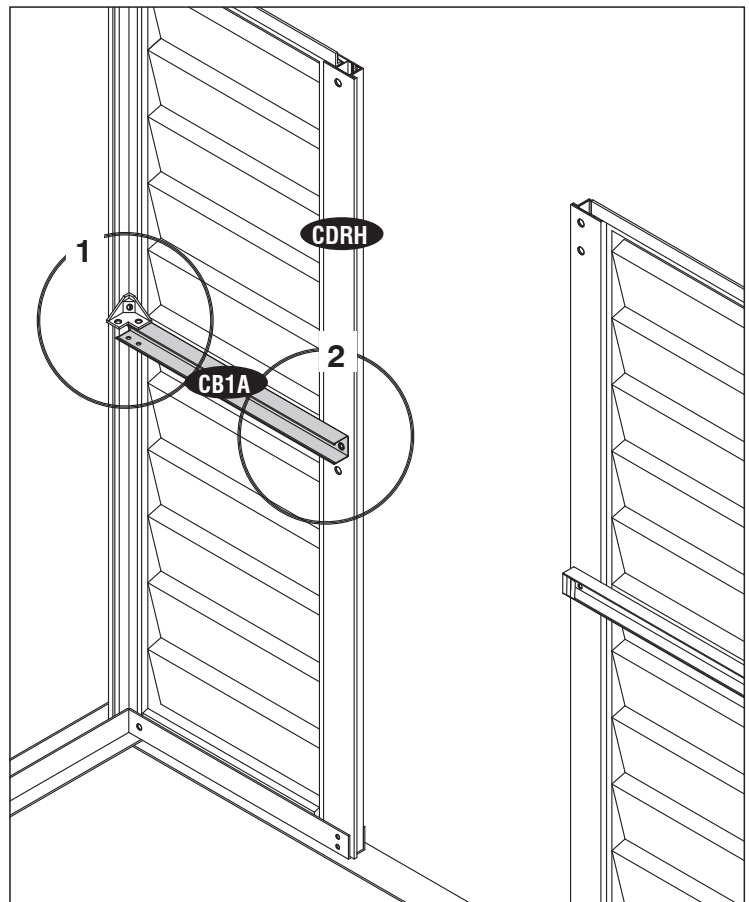
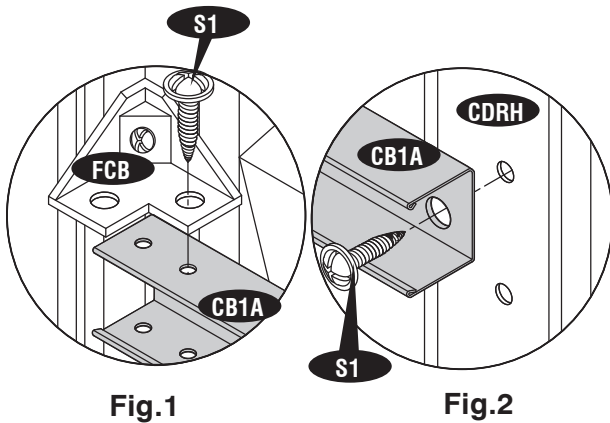
Fig.3



25. Fix the center band fitting (FCB) to the column (CCA) with (S2) screw. Leave it loose.



26. Fix the center band (CB1A) to the center band fitting (FCB) with (S1) screws. See fig.1. Fix the other end to the door column (CDRH). See fig.2.



27. Fix the center band (**CB4A**) to the base 'U' channel (**B1RA**) and door column (**CDRH**) with (**S1**) screws. See fig.1&2. Fix the (**EPS**) at the end of (**CB1A**) & (**CB4A**). See fig.3.

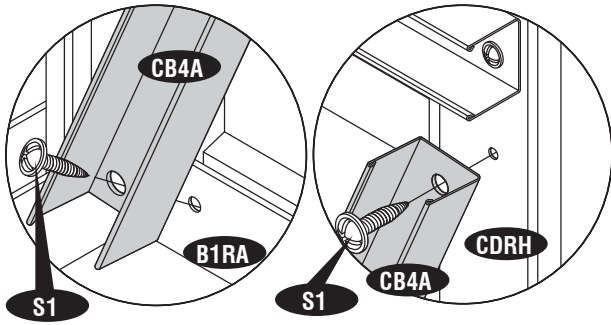


Fig.1

Fig.2

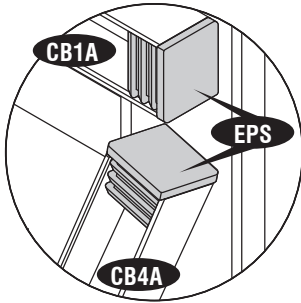
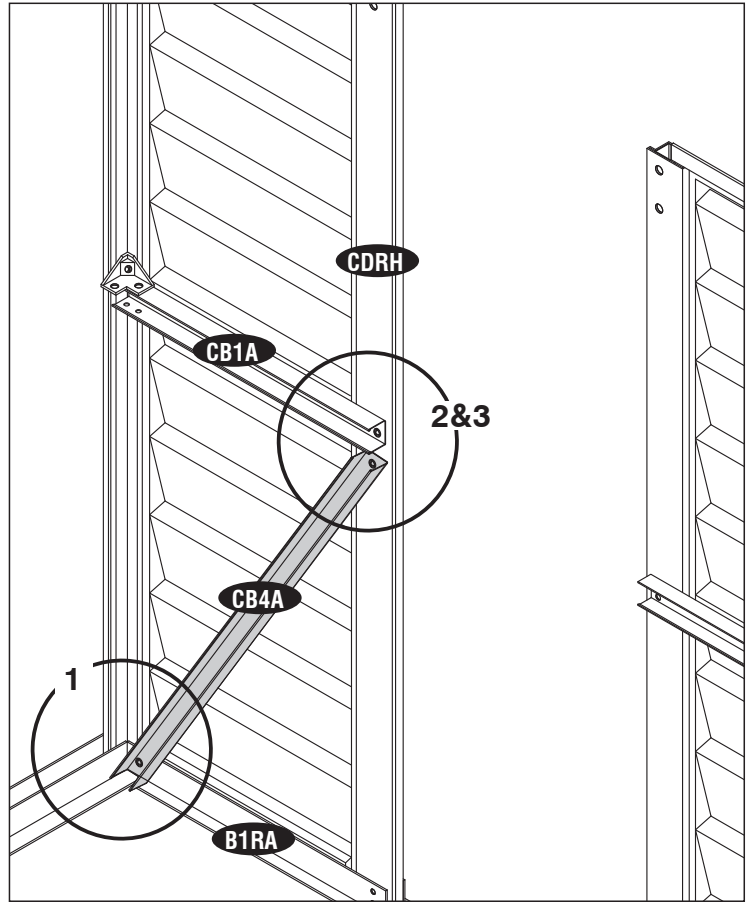
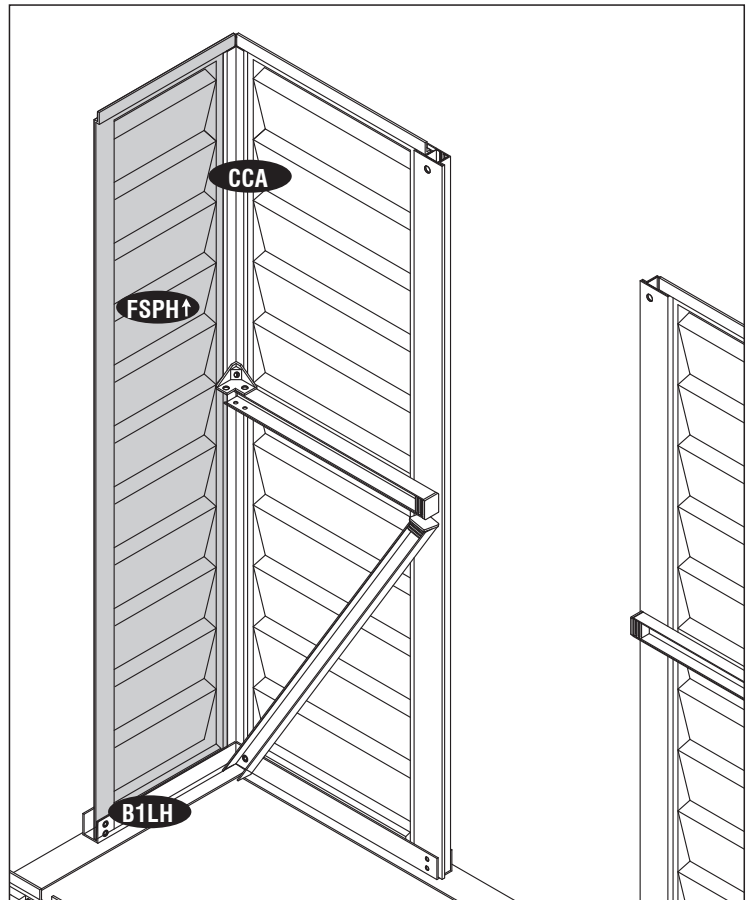


Fig.3



28. Insert the side panel (**FSPH↑**) into the groove of column (**CCA**) & base 'U' channel (**B1LH**).



29. Slide the door column (CDLA) into the base 'U' Channel & side panel. Line up the pre drilled holes on (CDLA) & base 'U' channel (B1LH) & fix with (S1) screws from inside.

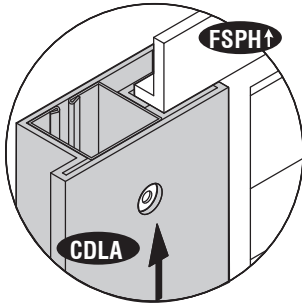


Fig.1

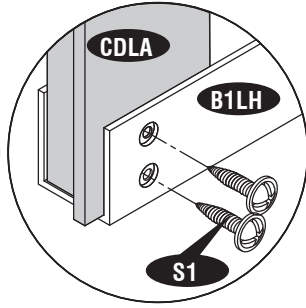
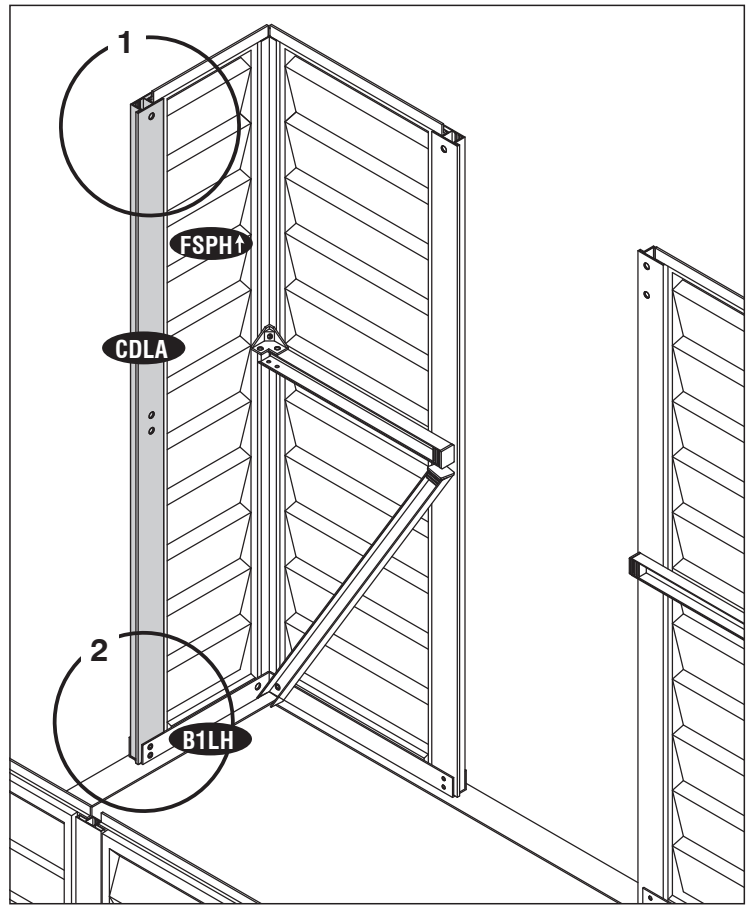


Fig.2



30. Fix the center band (CB1H) to the center band fitting (FCB) with (S1) screws. See fig.1. Fix the other end to the door column (CDLA). See fig.2.

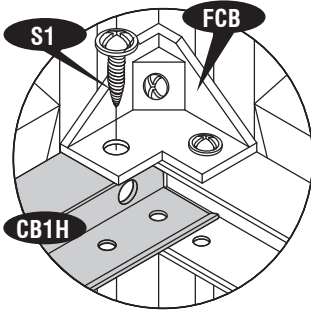


Fig.1

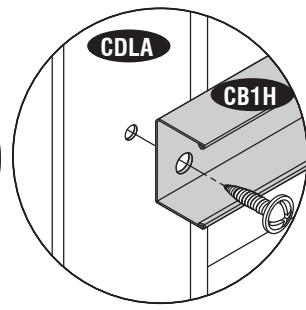


Fig.2

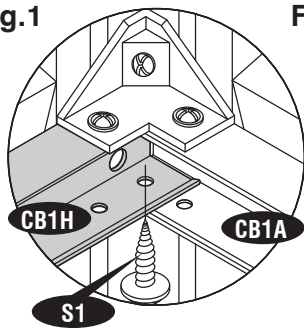
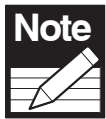
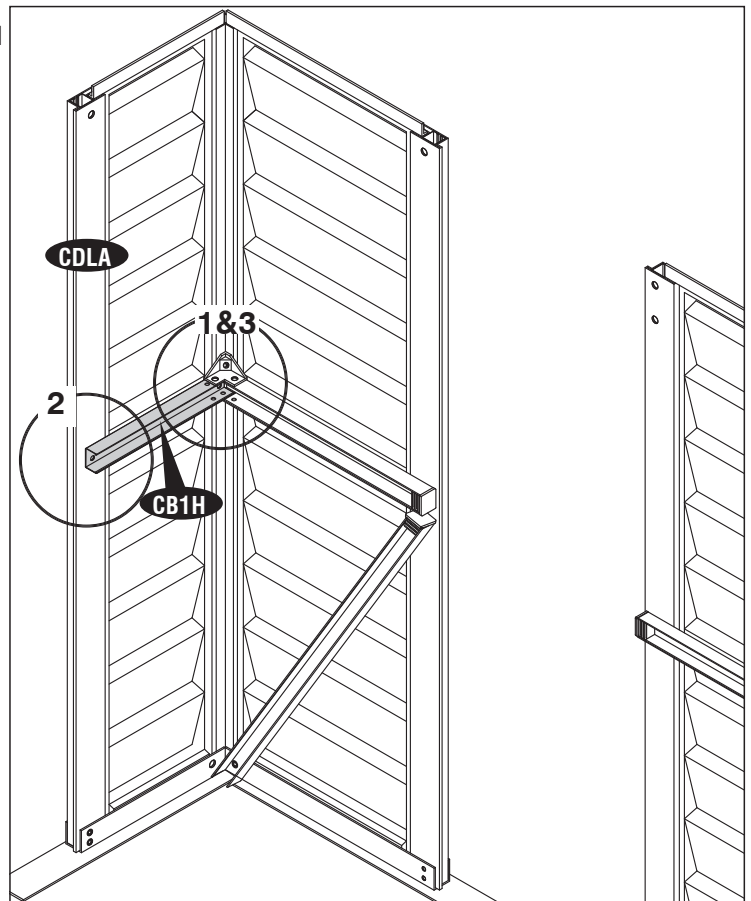


Fig.3



Note After completing the center band assembly, fully tighten the four center band fittings (FCB) to the corner column (CCA).

31. Fix the center band (CB4H) to the base 'U' channel (B1LH) and door column (CDLA) with (S1) screws. See fig.1&2. Fix the (EPS) at the end of (CB1H) & (CB4H). See fig.3.

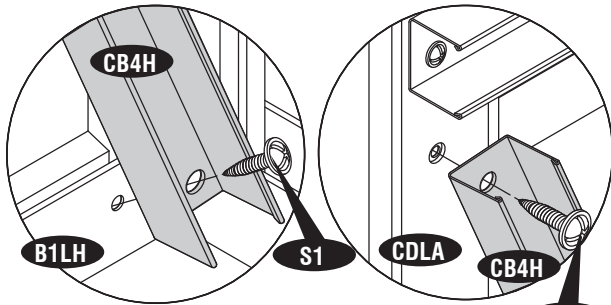


Fig.1

Fig.2

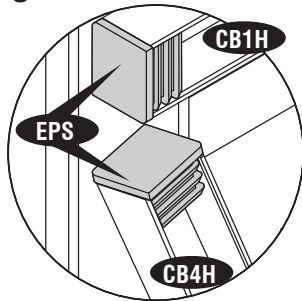
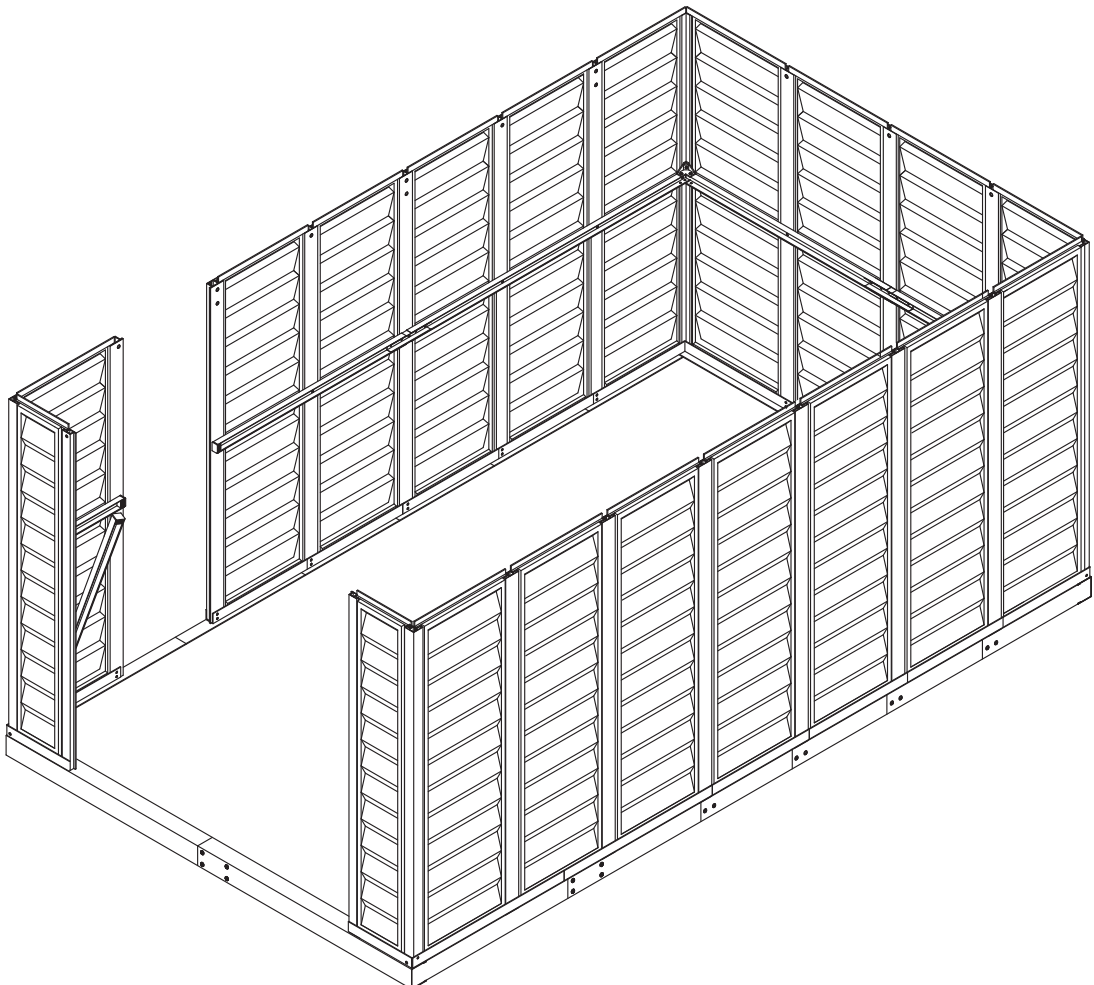
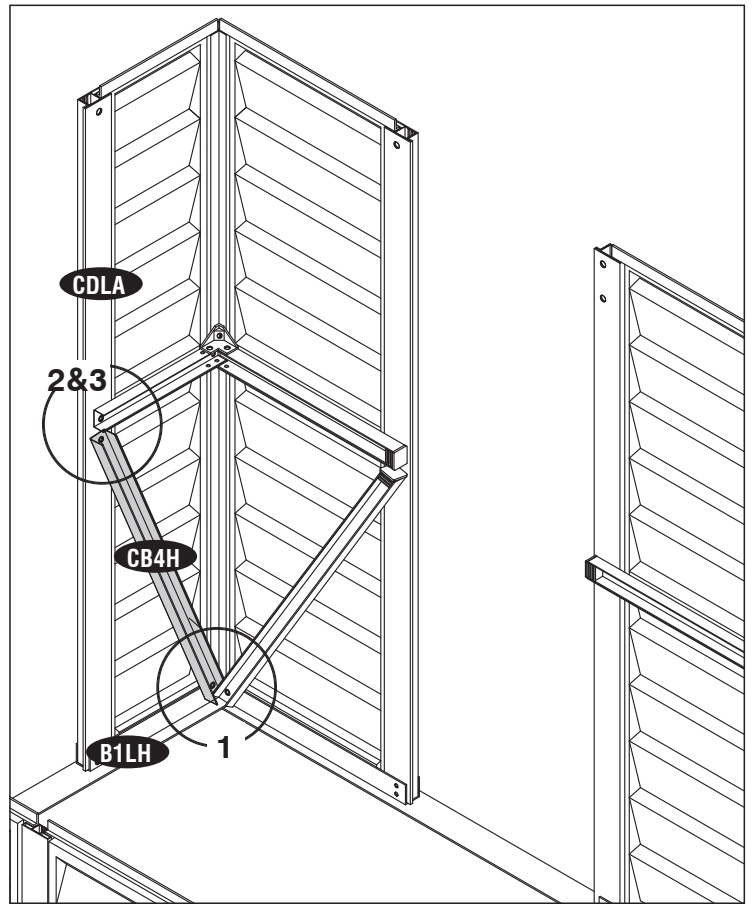


Fig.3



C. Roof Frame



Parts Needed:

- (4) RS1 Roof Structure (RS1H)
- (4) RS8 Roof Structure Support Long (RS8H)
- (4) RS9 Roof Structure Support Short (RS9H)
- (6) Middle Joining Support (MJ)
- (5) RS3 Roof Structure Long (RS3LA)
- (1) RS3 Roof Structure Long (RS3LH)
- (4) RS5 Roof Structure (RS5A)
- (8) RS6 Roof Structure (RS6H)
- (8) RS7 Roof Structure (RS7H)
- (8) RS13 Roof Structure (RS13A)
- (4) RS2 Roof Structure (RS2A)
- (2) RS10 Roof Structure Support (RS10A)
- (10) RS4 Roof Structure (RS4XA)
- (5) RS11 Roof Structure Support Short (RS11A)
- (3) RS12 Roof Structure Support Short (RS12A)
- (4) Vertical Support - 1 (RS19H)
- (4) Vertical Support - 2 (RS20H)
- (2) RS15 Roof Structure Support Left (RS15L)
- (2) RS15 Roof Structure Support Right (RS15R)
- (1) Door Stopper Small (DSHH)
- (1) Door Stopper Left (RS16L)
- (1) Door Stopper Right (RS16R)
- (1) Door Column Fitting Left (FDCL)
- (1) Door Column Fitting Left (FDCLC)

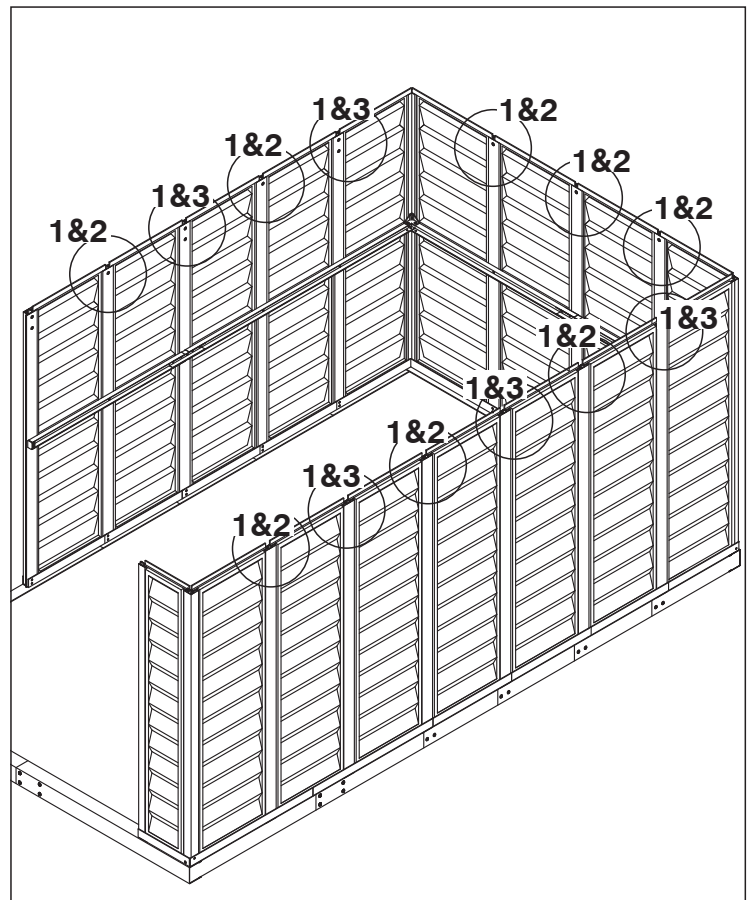
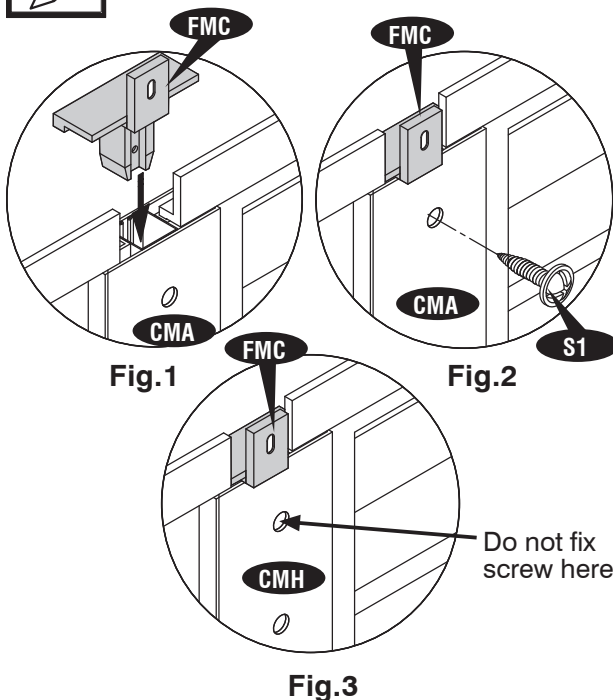
- (1) Door Column Fitting Right (FDCR)
- (1) Door Column Fitting Right (FDCRH)
- (4) Corner Column Fitting (FCC)
- (11) Middle Column Fitting (FMC)
- (4) 90 Degree Joint (RJ)
- (8) Top Corner (TCH)
- Screws (S1)
- Screws (S2)
- Screws (S7)
- Machine Screws (S3)
- Hexagonal Bolt & Nut (S8)

Parts Needed For Each Extension

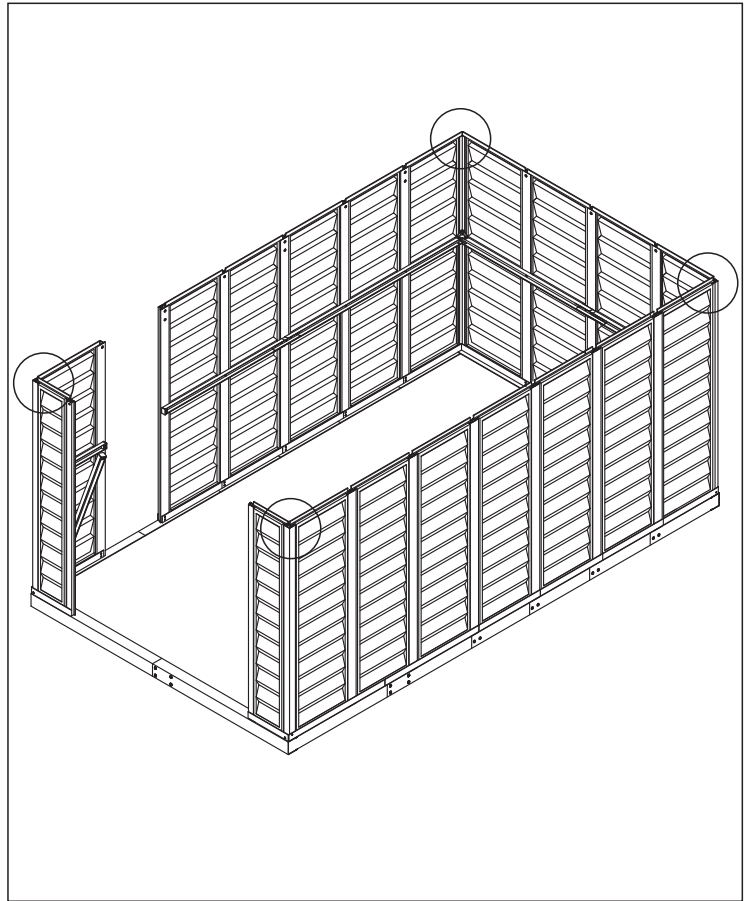
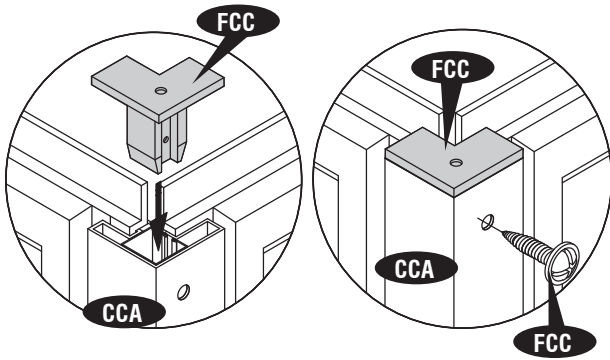
- (2) Middle Joining Support (MJ)
- (2) RS3 Roof Structure (RS3H)
- (2) RS6 Roof Structure (RS6H)
- (2) RS7 Roof Structure (RS7H)
- (2) RS4 Roof Structure (RS4XA)
- (1) RS11 Roof Structure Support Short (RS11A)
- (2) Vertical Support - 1 (RS19H)
- (2) Vertical Support - 2 (RS20H)
- (1) RS15 Roof Structure Support Left (RS15L)
- (1) RS15 Roof Structure Support Right (RS15R)
- (2) Middle Column Fitting (FMC)
- (4) Top Corner (TCH)

1. Insert the middle column fitting (FMC) into top of the middle column (CMA) & (CMH). Fix the column (CMA) to fittings with (S1) screws from inside the shed.

Note Do not fix the fitting where (CMH) is coming. Only insert it.



2. Insert the corner column fittings (**FCC**) into the corner column (**CCA**). Fix with (**S1**) screws from outside of the shed.



3. Insert the door column fittings (**FDCLC**) & (**FDCRH**) into the front door column (**CDLA**) & (**CDRA**). See fig.1&2.

Insert the door column fittings (**FDCL**) & (**FDCR**) into the side door column (**CDLH**) & (**CDRH**). Fix the fitting (**FDCR**) to the column (**CDRH**) by (**S1**) screw. All other fittings will be screwed later. See fig.3&4.

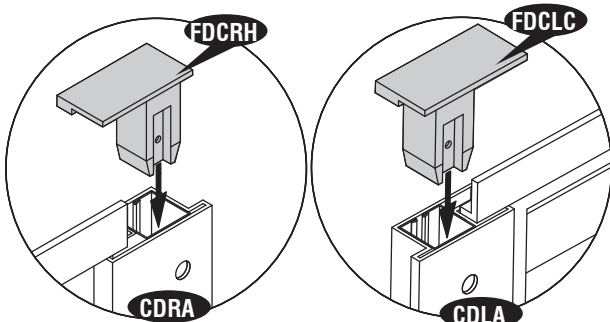


Fig.1

Fig.2

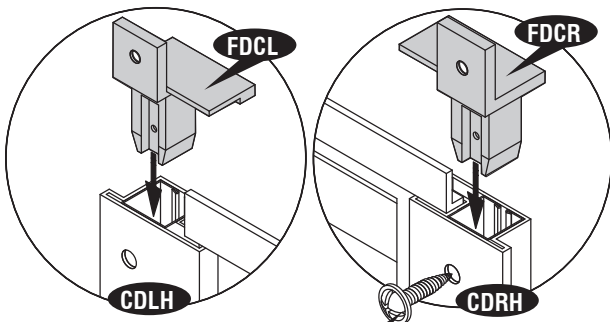
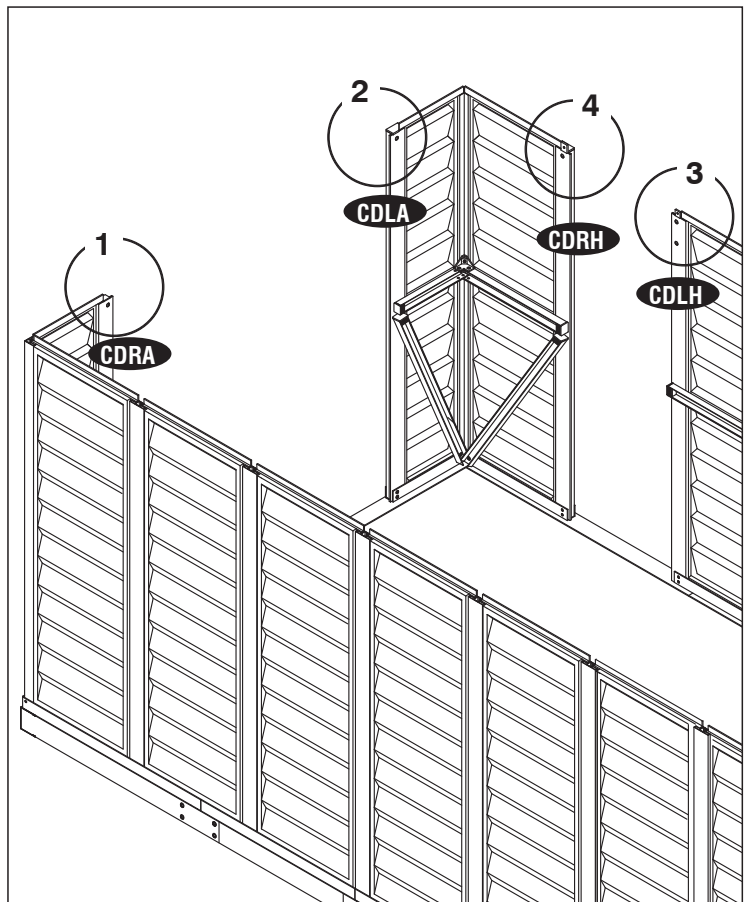


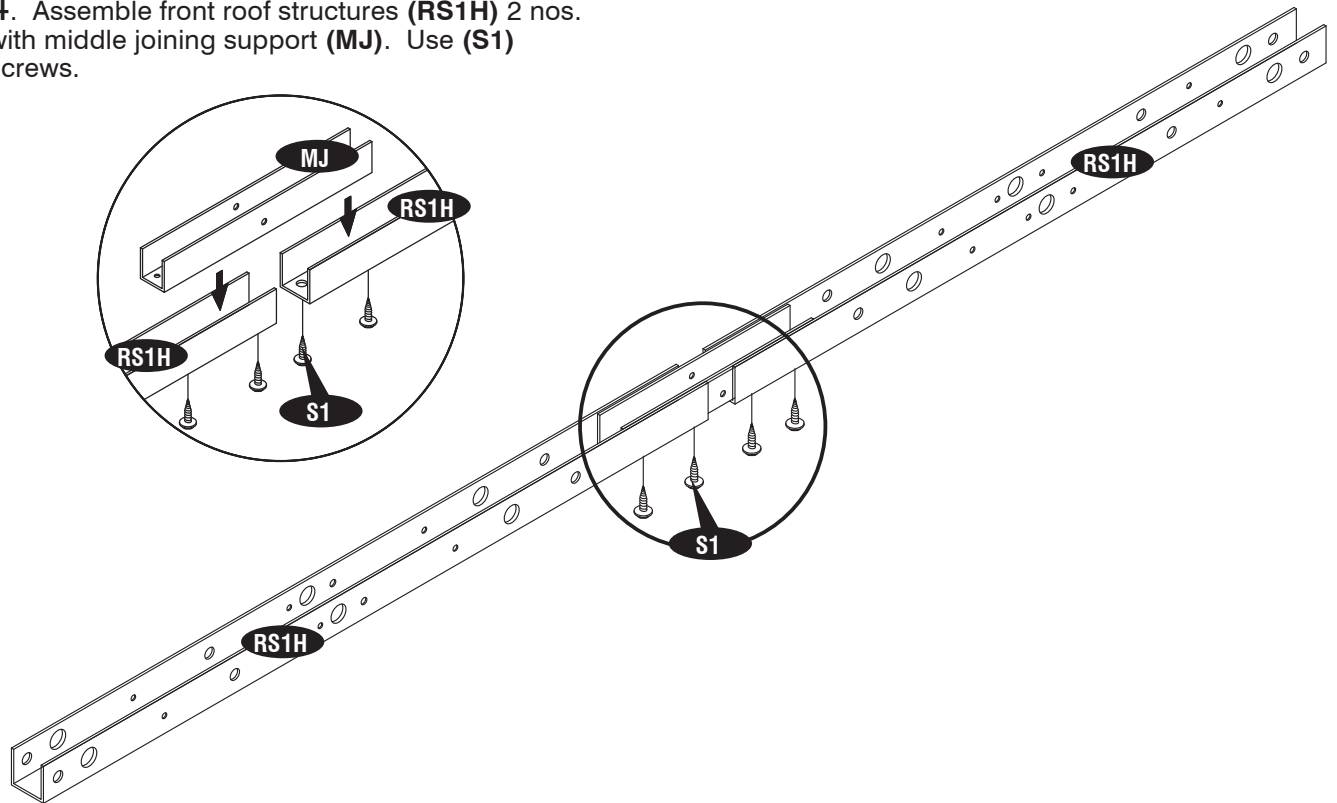
Fig.3

Fig.4

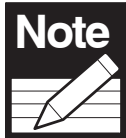


Front roof structure assembly

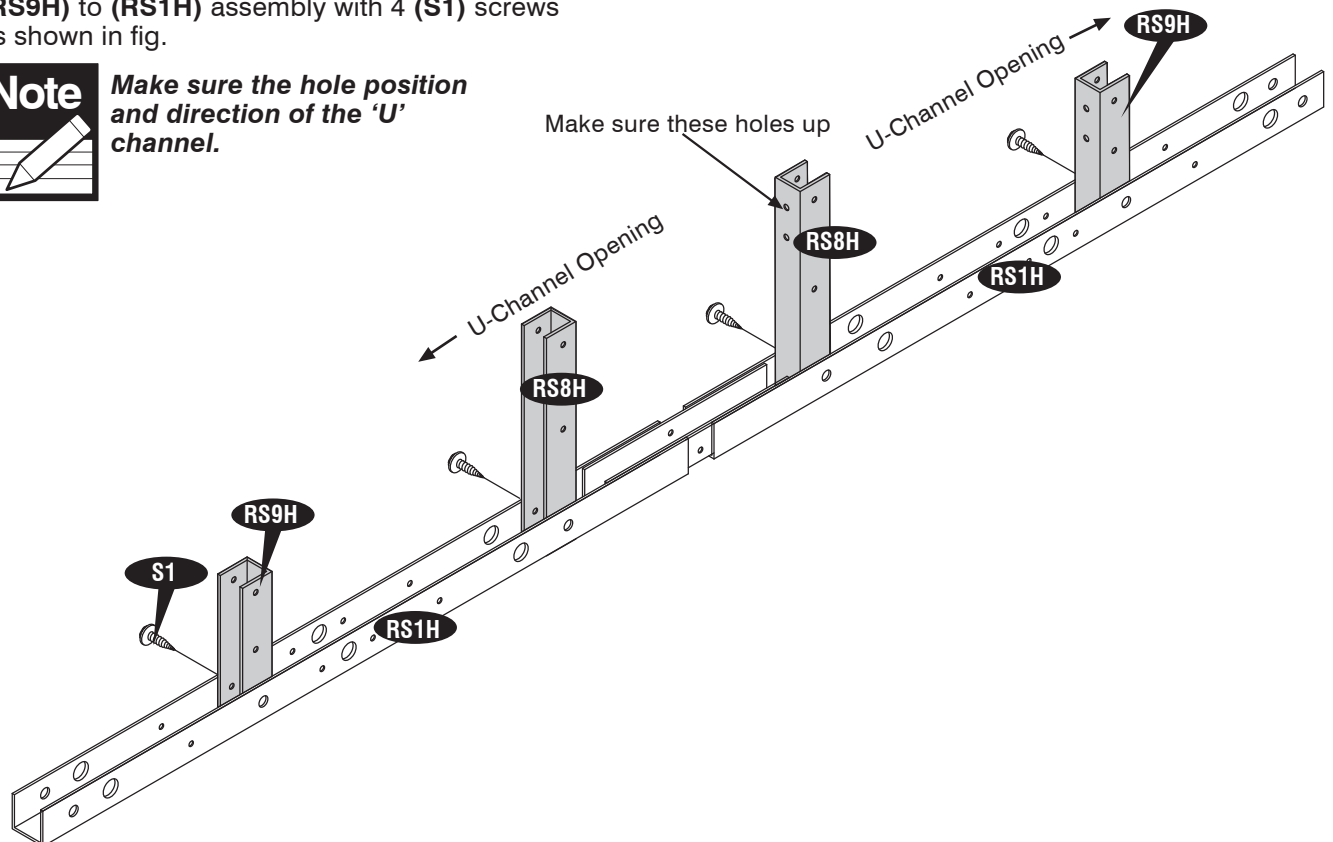
4. Assemble front roof structures (RS1H) 2 nos. with middle joining support (MJ). Use (S1) screws.



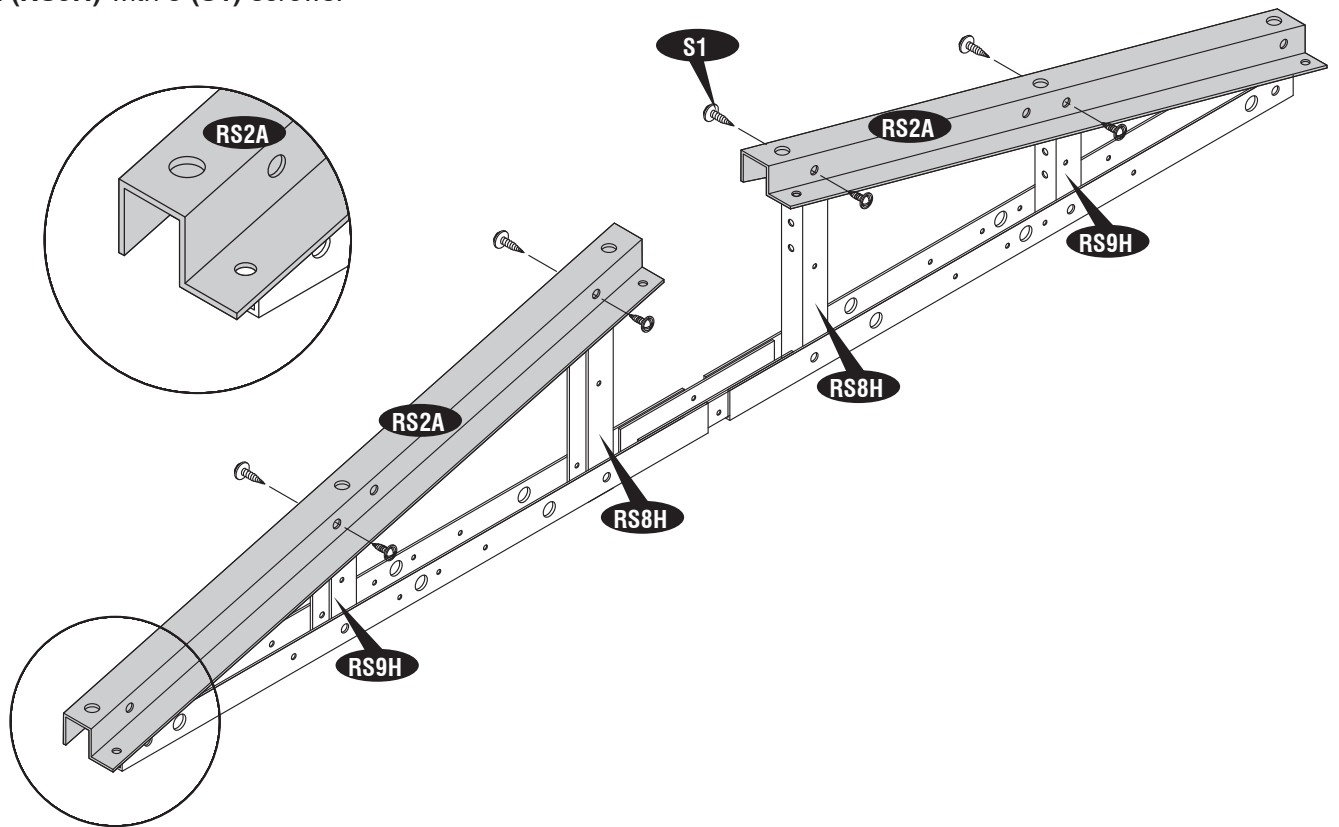
5. Assemble roof structure support (RS8H) & (RS9H) to (RS1H) assembly with 4 (S1) screws as shown in fig.



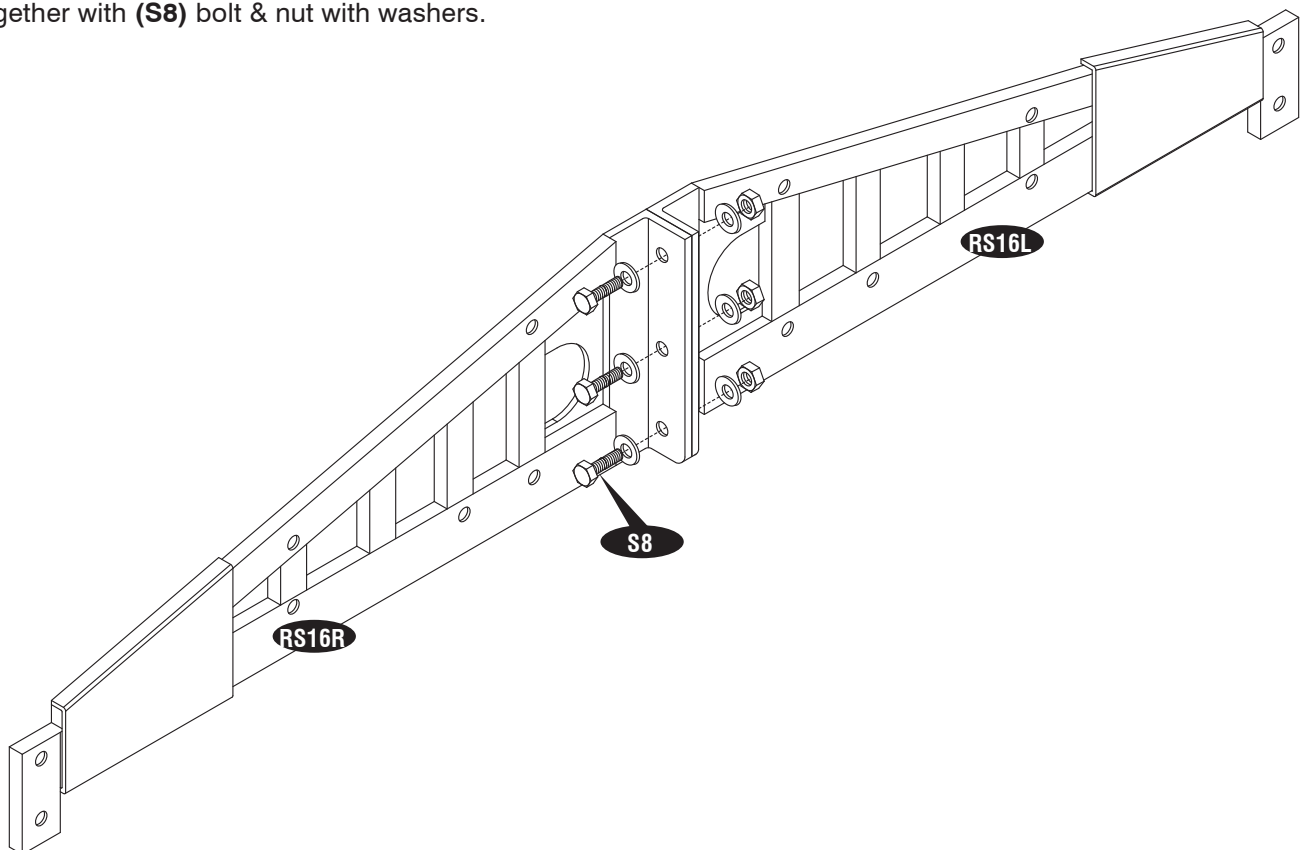
Note Make sure the hole position and direction of the 'U' channel.



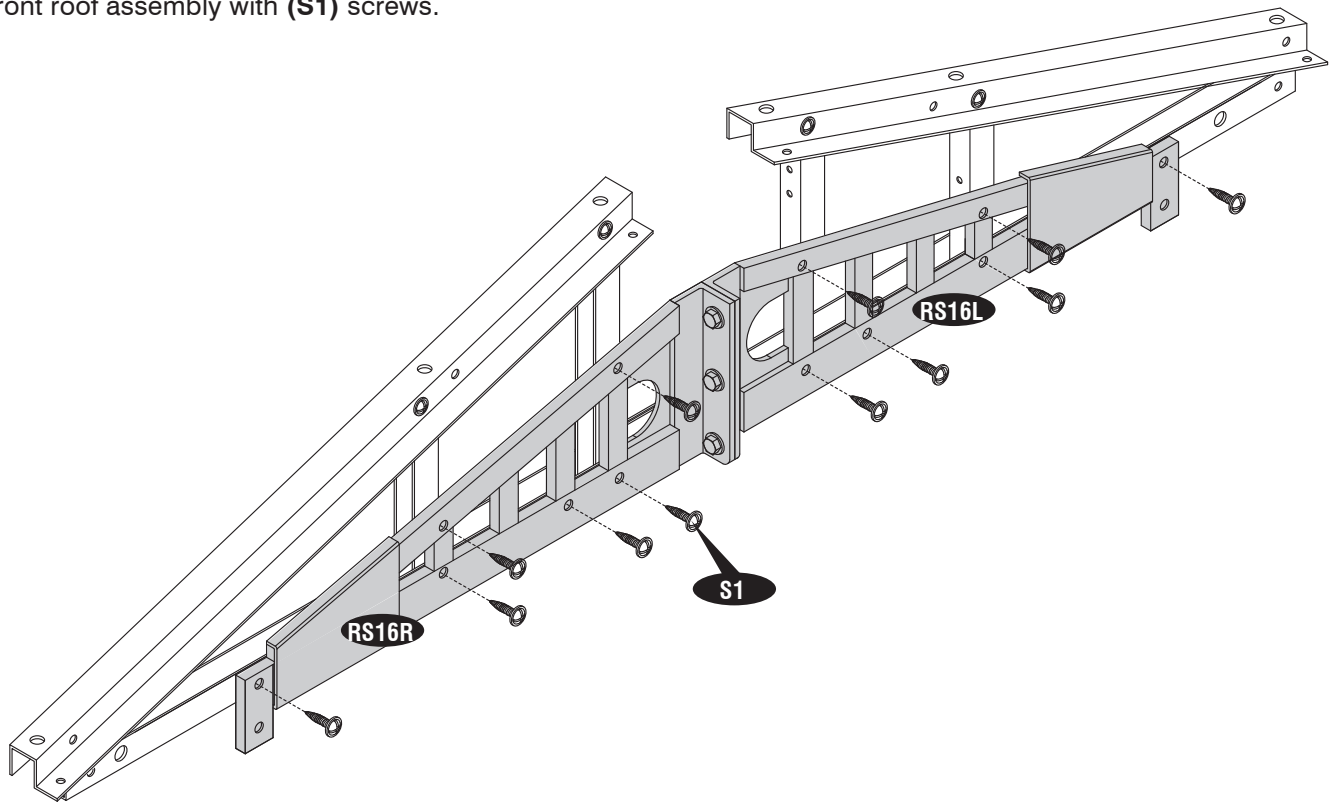
6. Assemble the roof structure (RS2A) to (RS8H) & (RS9H) with 8 (S1) screws.



7. Assemble door stopper (RS16L) & (RS16R) together with (S8) bolt & nut with washers.

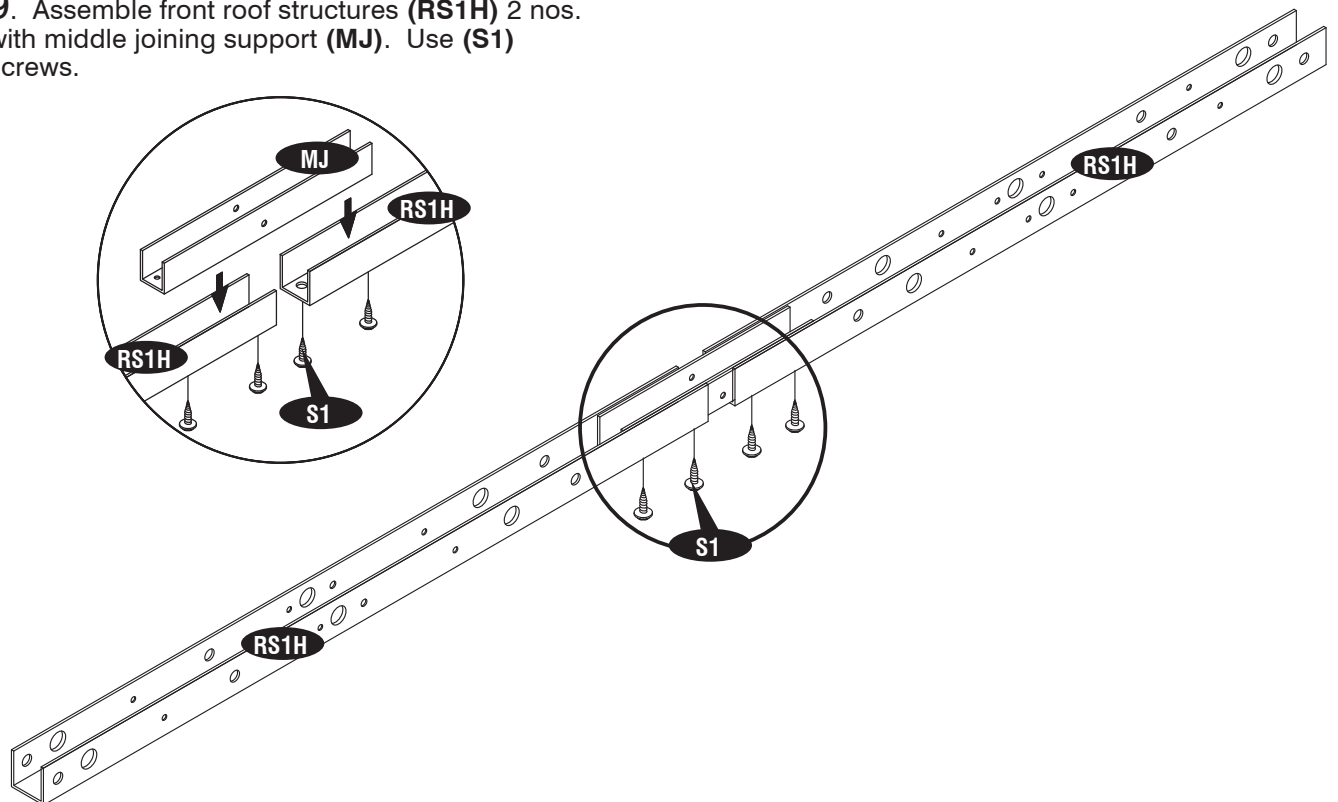


8. Assemble (RS16R) & (RS16L) assembly to front roof assembly with (S1) screws.

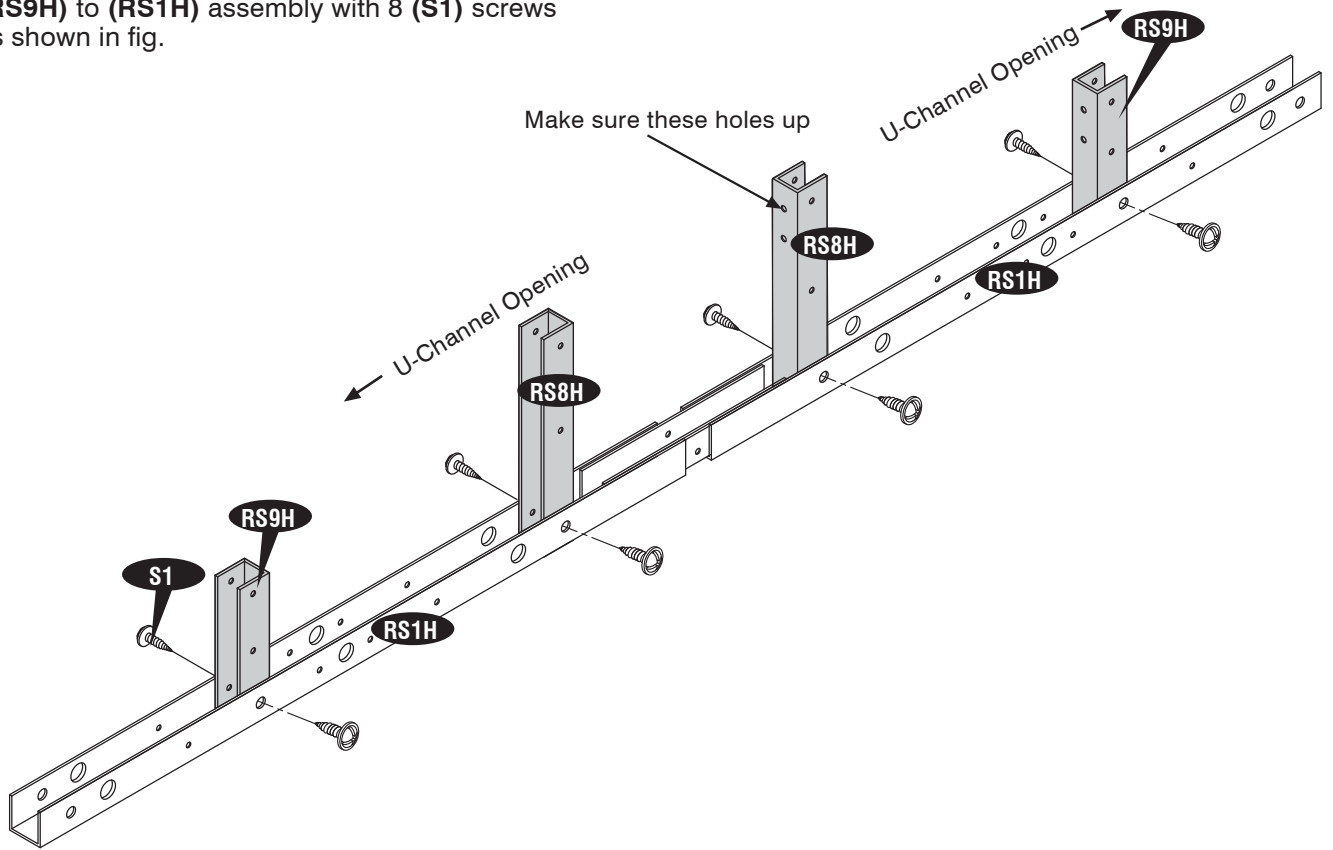


Back roof structure assembly

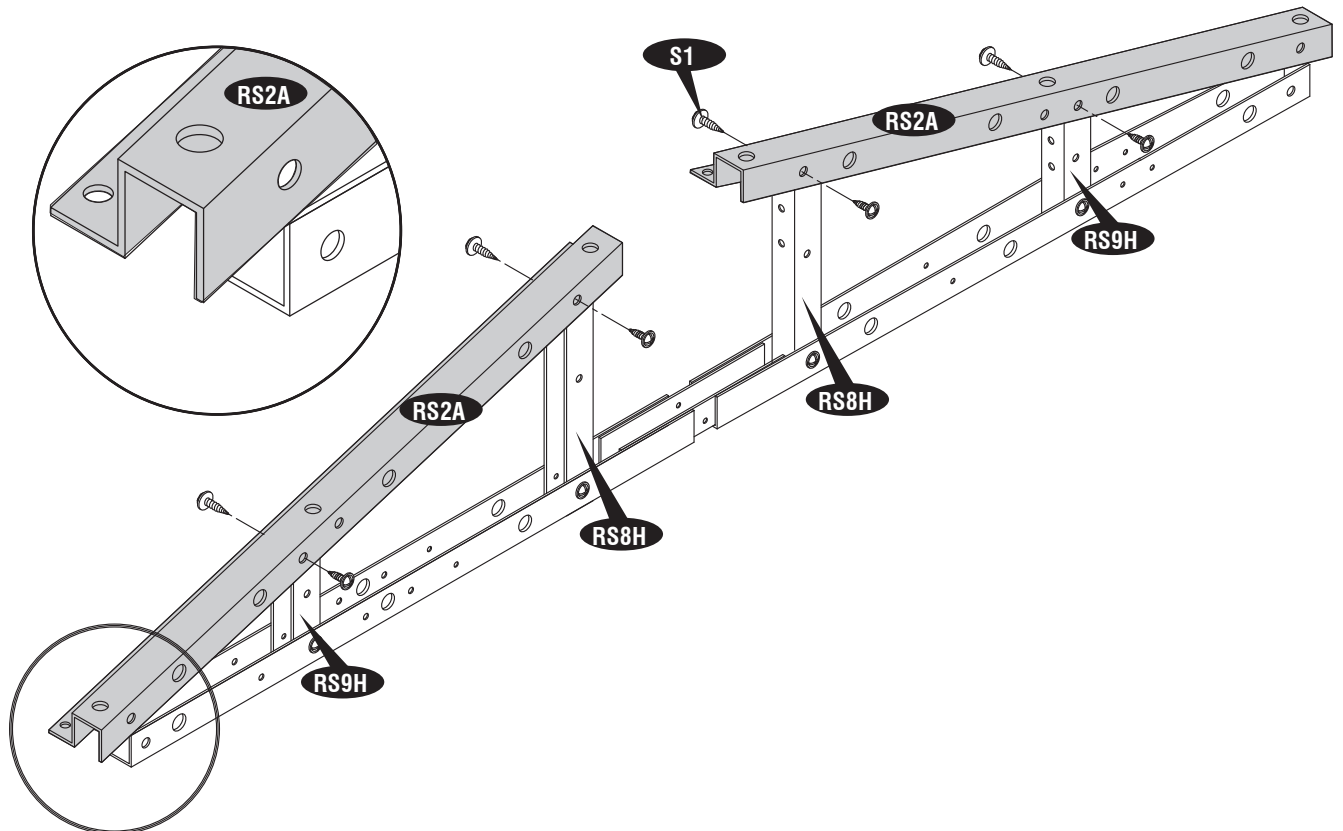
9. Assemble front roof structures (RS1H) 2 nos. with middle joining support (MJ). Use (S1) screws.



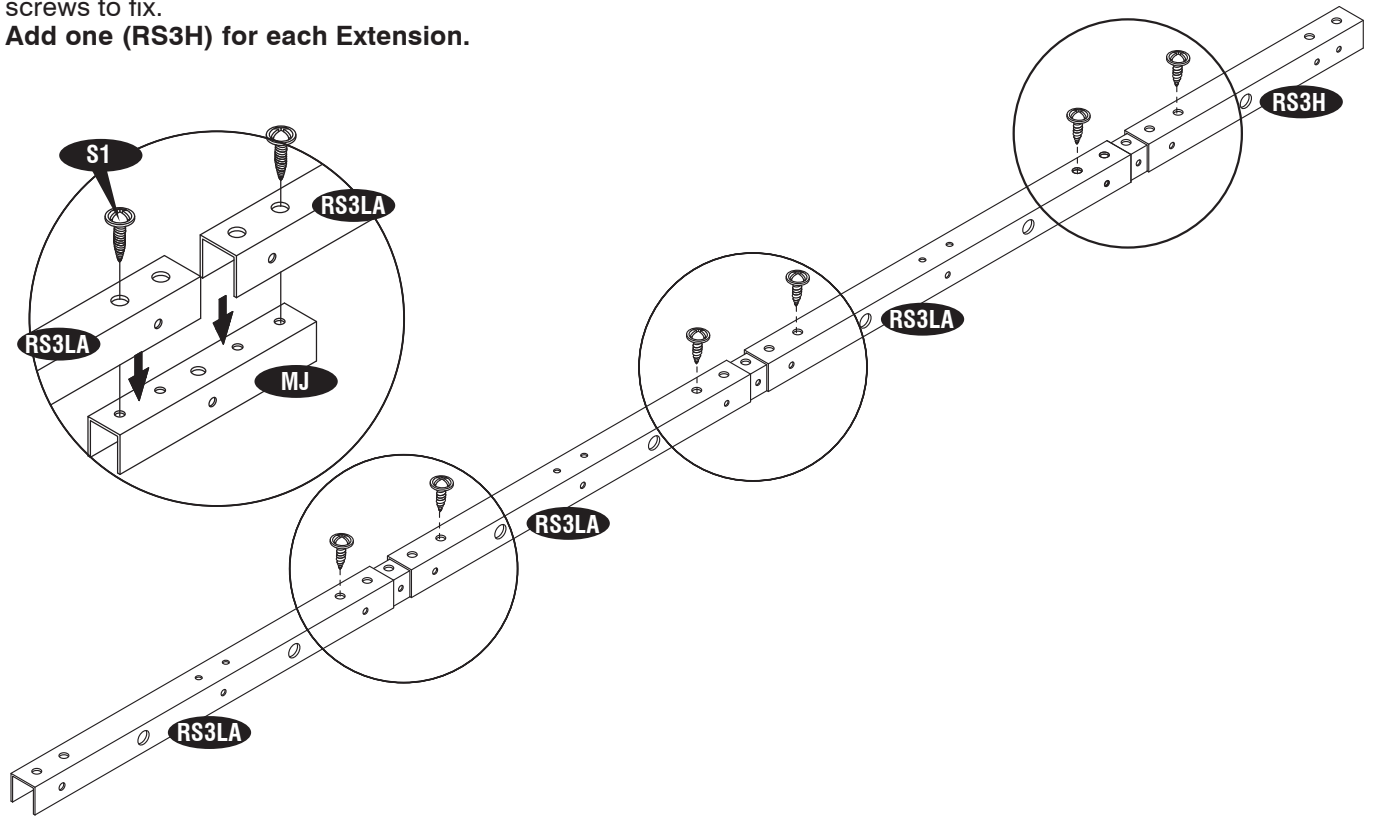
10. Assemble roof structure support (RS8H) & (RS9H) to (RS1H) assembly with 8 (S1) screws as shown in fig.



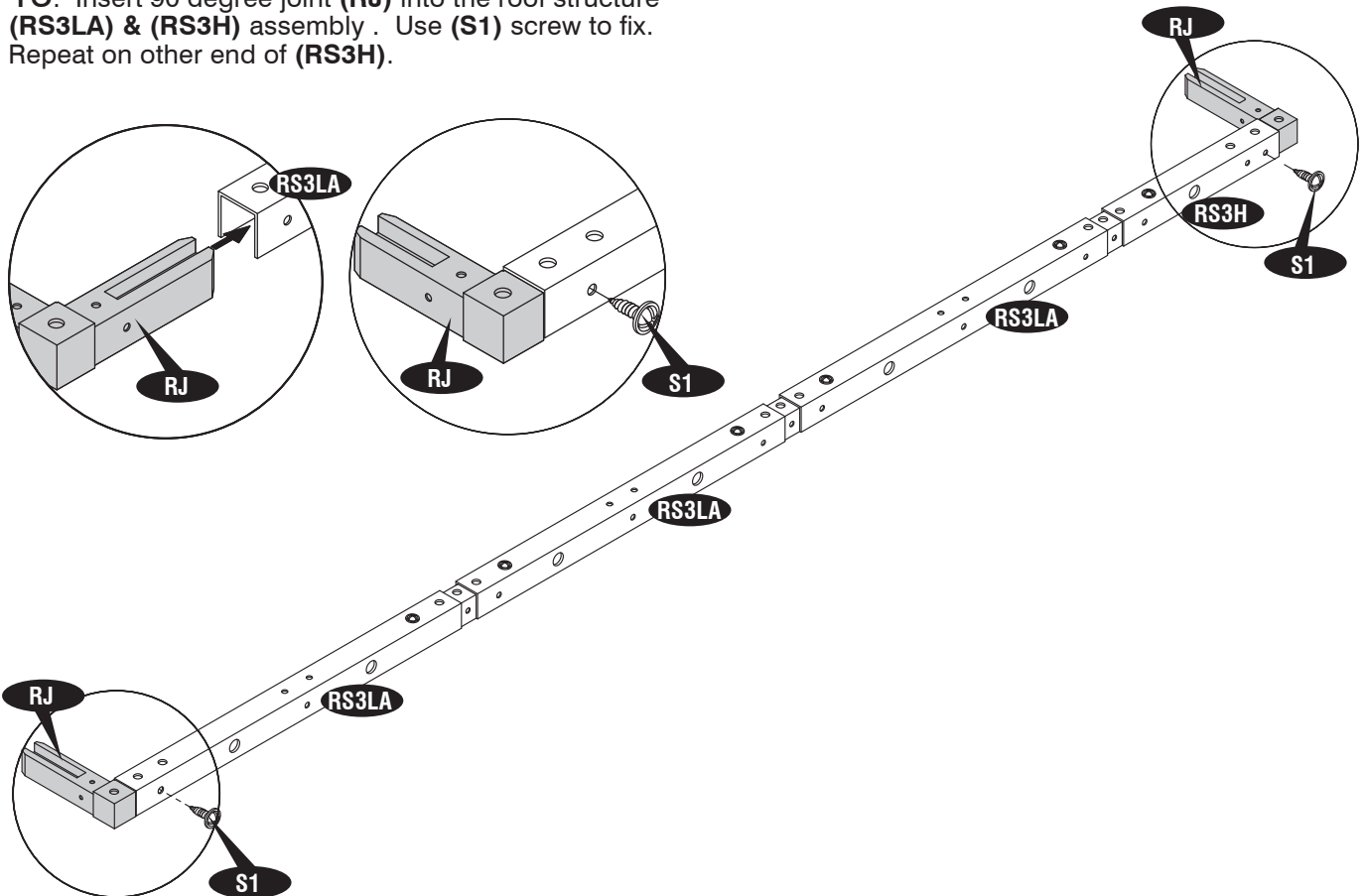
11. Assemble the roof structure (RS2A) to (RS8H) & (RS9H) with 8 (S1) screws.



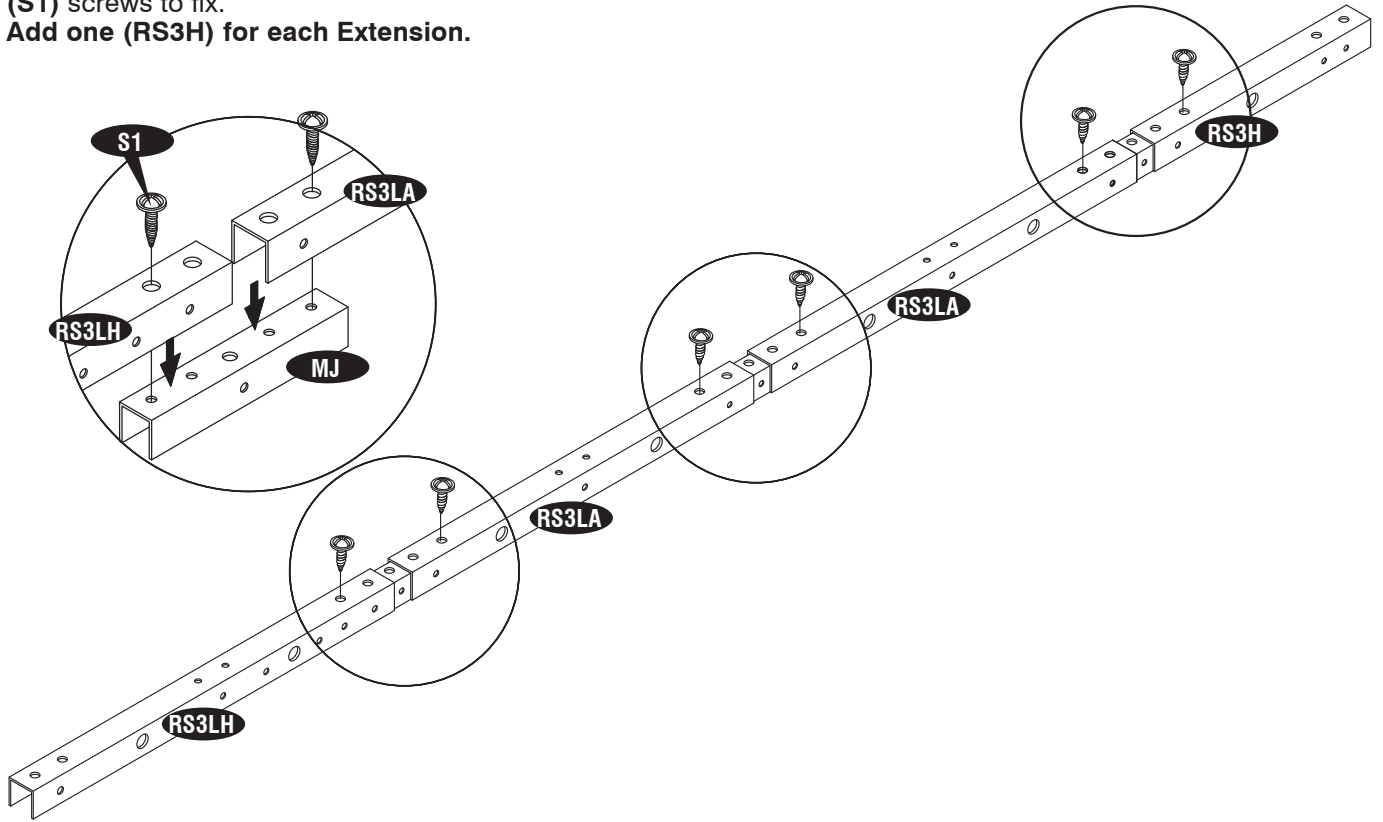
12. Assemble roof structure (RS3LA) & (RS3H) with middle joining support (MJ). Use (S1) screws to fix.
Add one (RS3H) for each Extension.



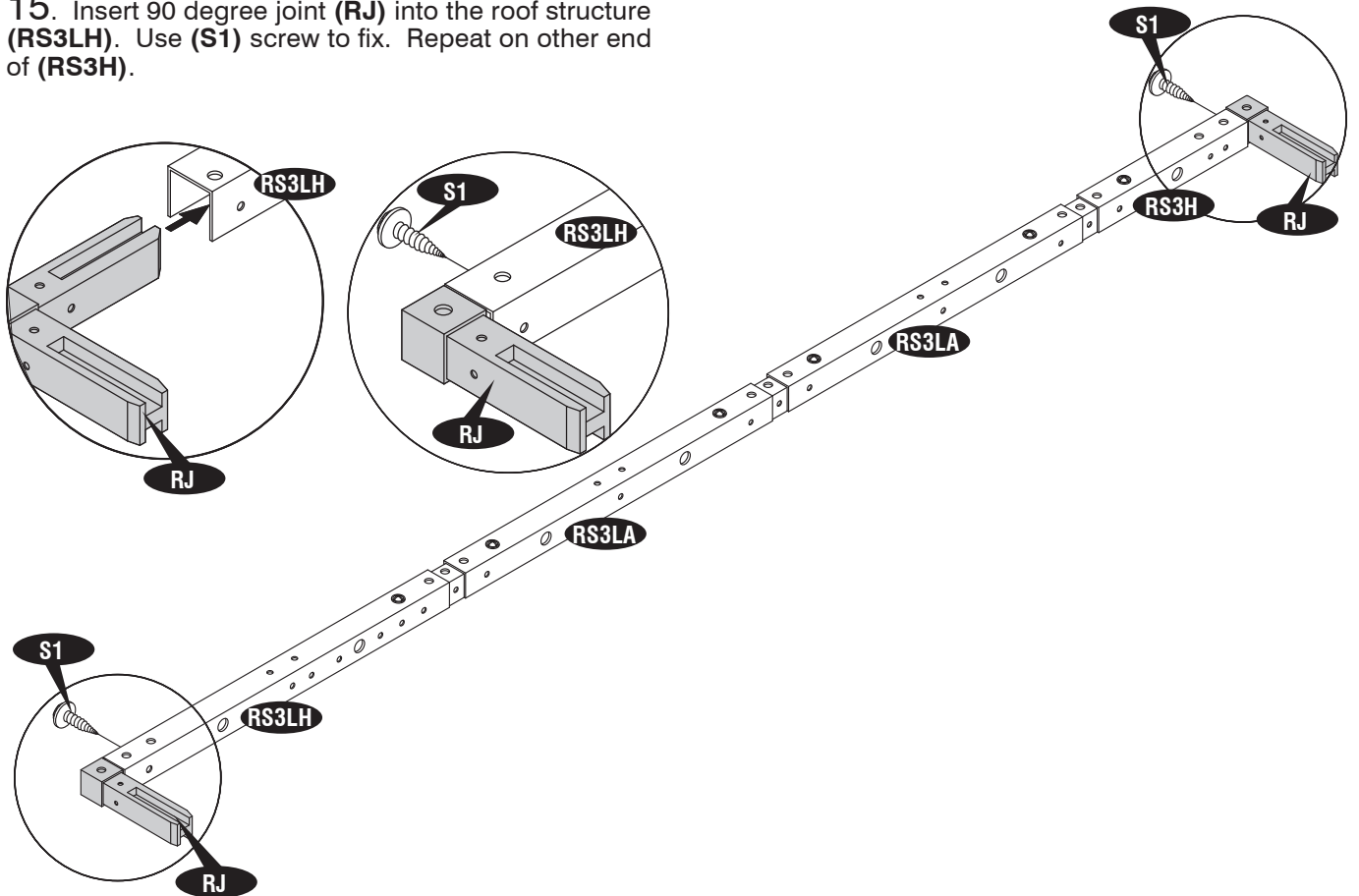
13. Insert 90 degree joint (RJ) into the roof structure (RS3LA) & (RS3H) assembly. Use (S1) screw to fix. Repeat on other end of (RS3H).



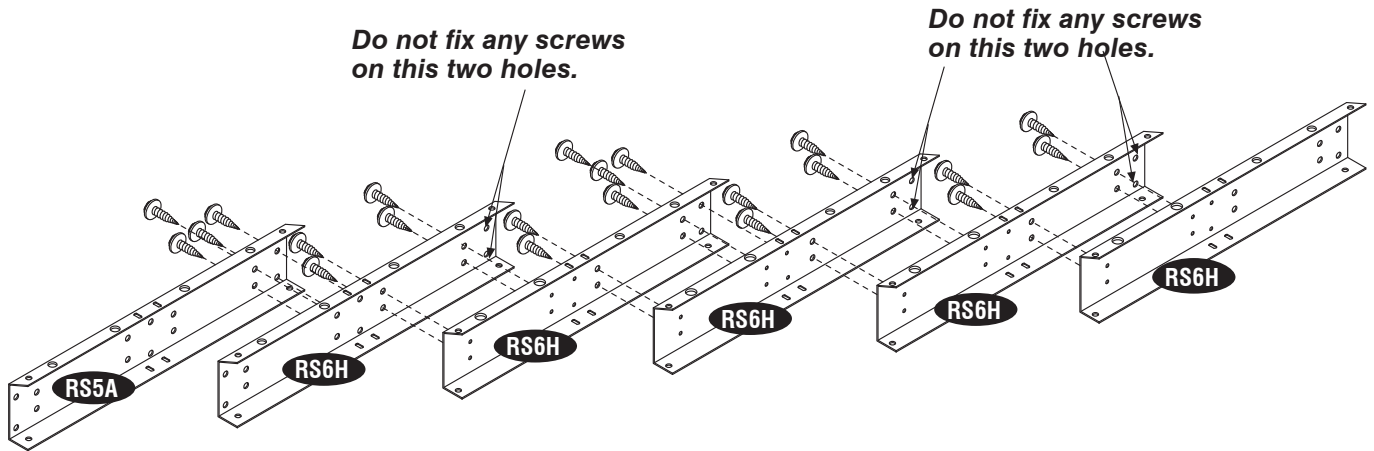
14. Assemble roof structure (RS3LH), (RS3LA) & (RS3H) with middle joining support (MJ). Use (S1) screws to fix. Add one (RS3H) for each Extension.



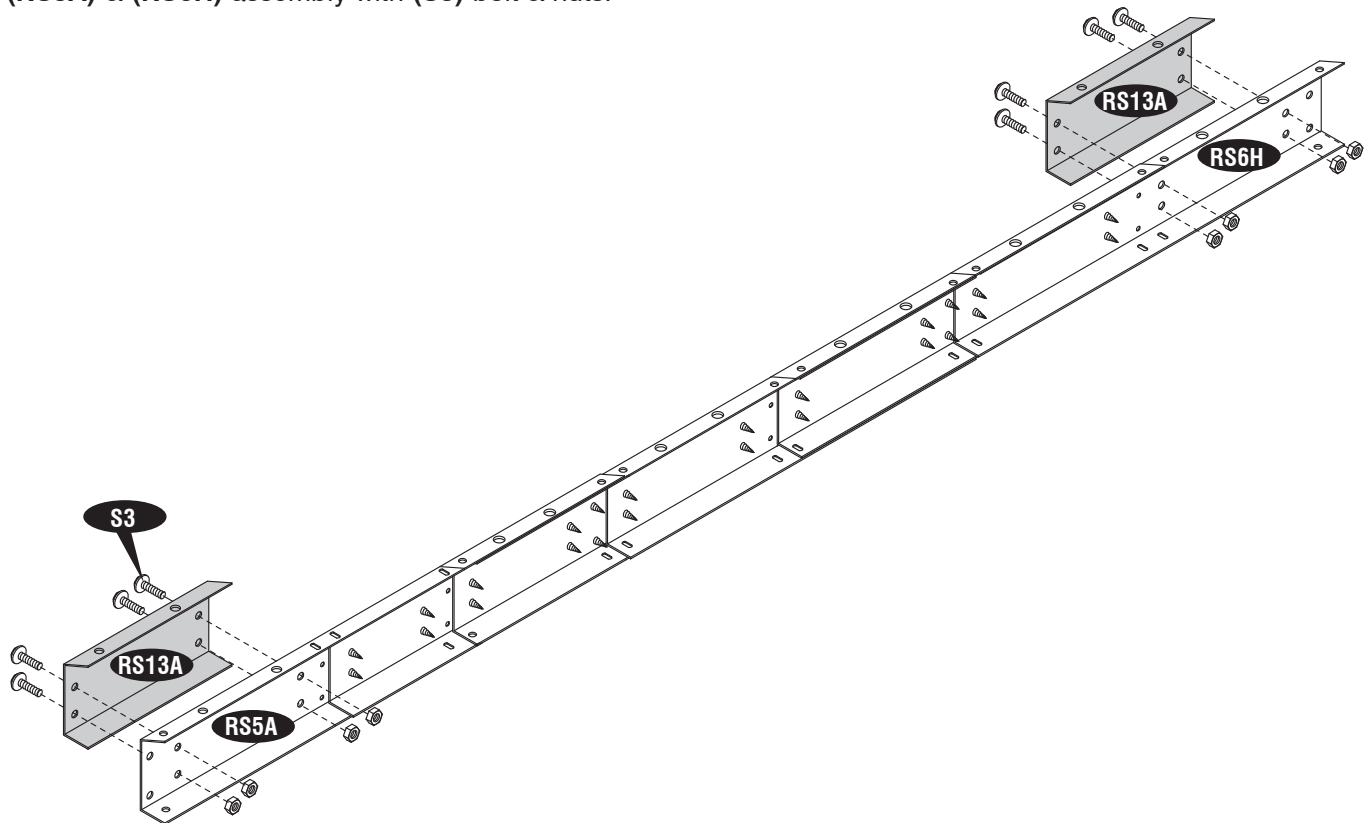
15. Insert 90 degree joint (RJ) into the roof structure (RS3LH). Use (S1) screw to fix. Repeat on other end of (RS3H).



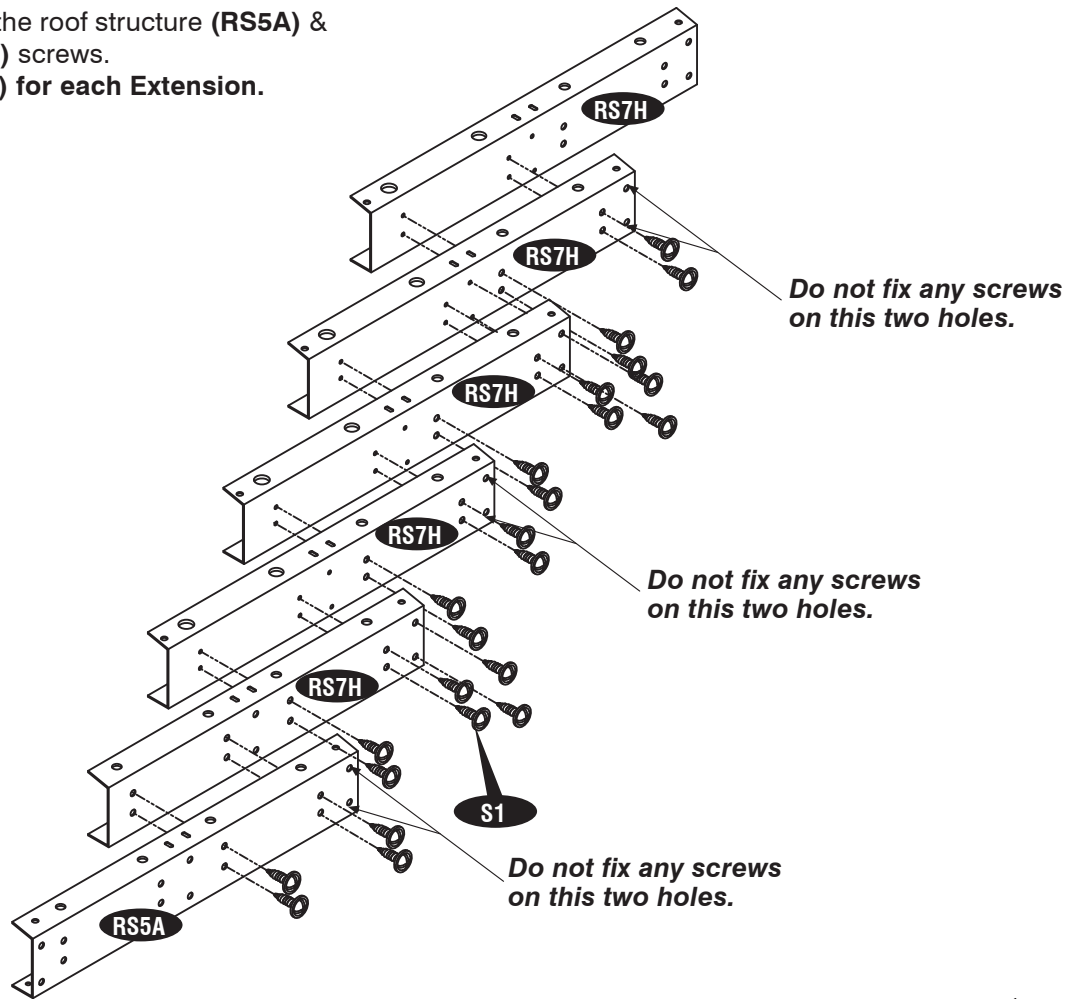
16. Assemble the roof structure (RS5A) & (RS6H) with (S1) screws.
Add one (RS6H) for each Extension.
Make 2 sets.



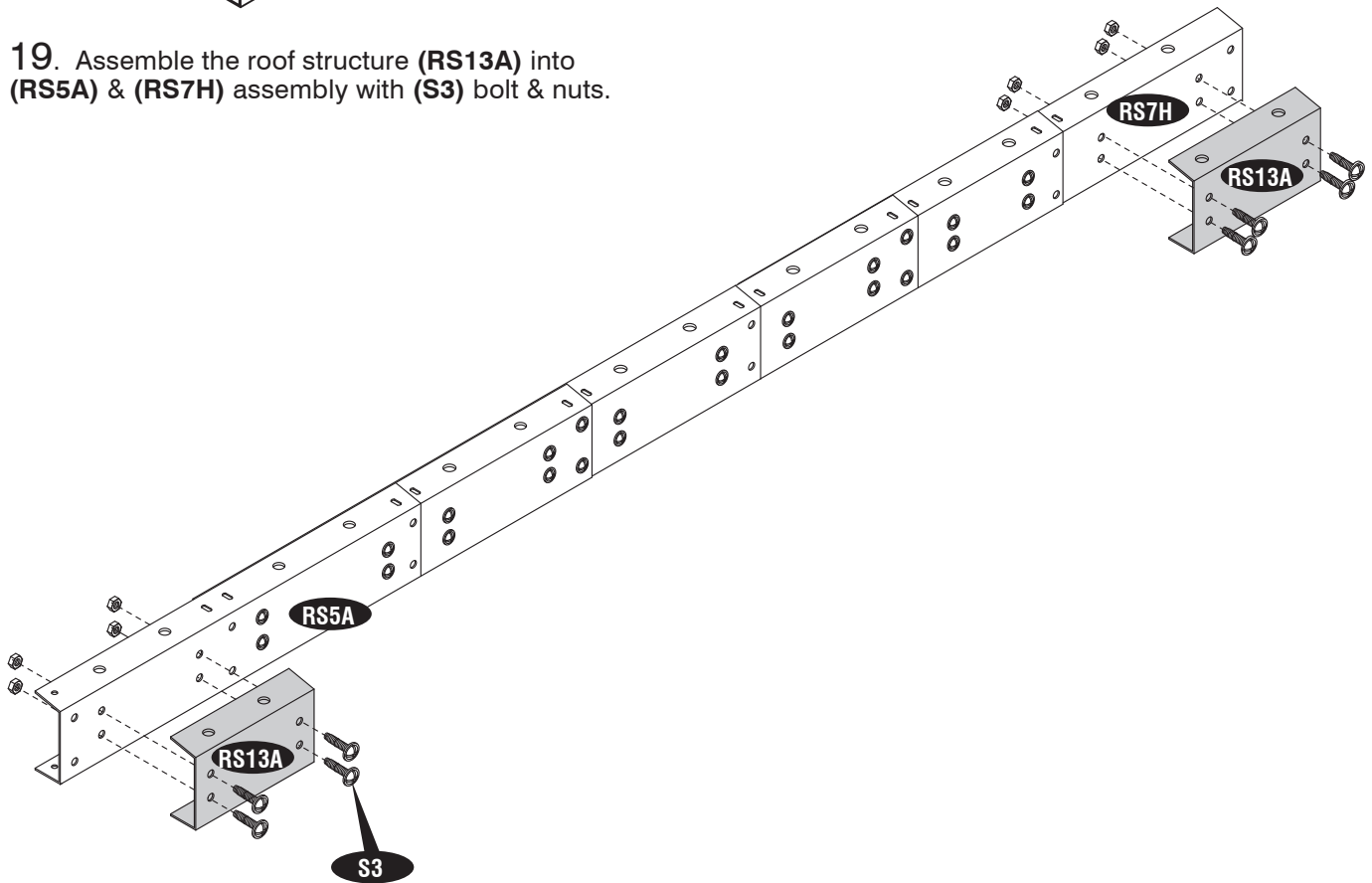
17. Assemble the roof structure (RS13A) into (RS5A) & (RS6H) assembly with (S3) bolt & nuts.



18. Assemble the roof structure (RS5A) & (RS7H) with (S1) screws.
Add one (RS7H) for each Extension.
Make 2 sets.



19. Assemble the roof structure (RS13A) into (RS5A) & (RS7H) assembly with (S3) bolt & nuts.



20. Place the assembled front roof structure assembly to the door columns. Line up the pre drilled holes with door column and fix with (S1) screws. See fig.1&2. Make sure the (RS2A) structure position as shown in fig.3.

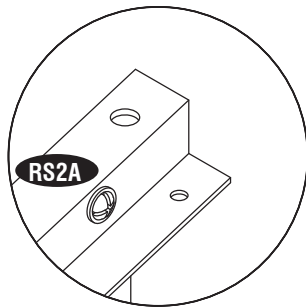
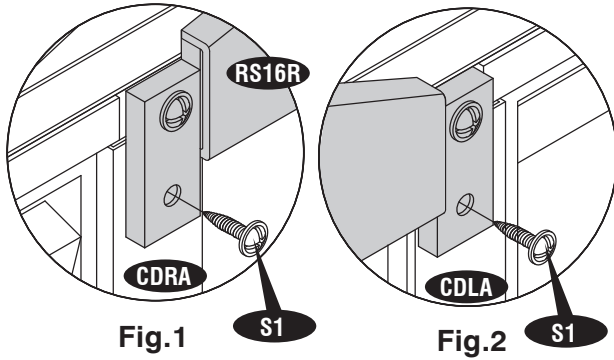
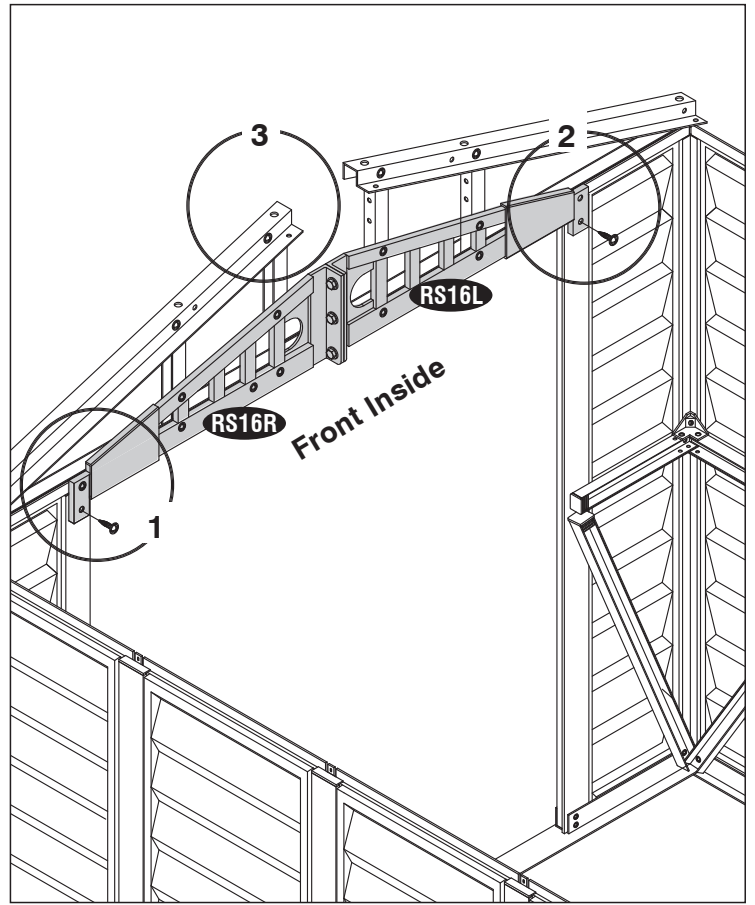


Fig.3



21. Place the assembled back roof structure at the back wall, on top of middle columns (CMA). Line up pre drilled holes with middle column fittings (FMC). Use (S1) screws to fix back roof structure to (FMC). See fig.1. Make sure the (RS2A) position as shown in fig.2.

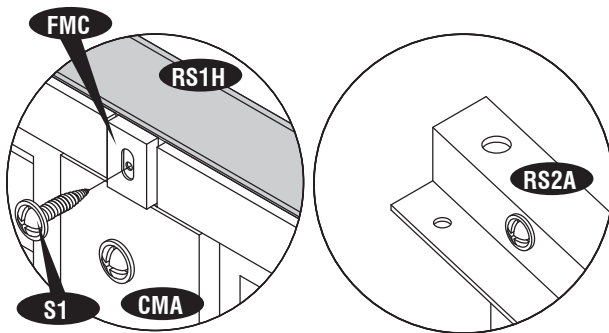
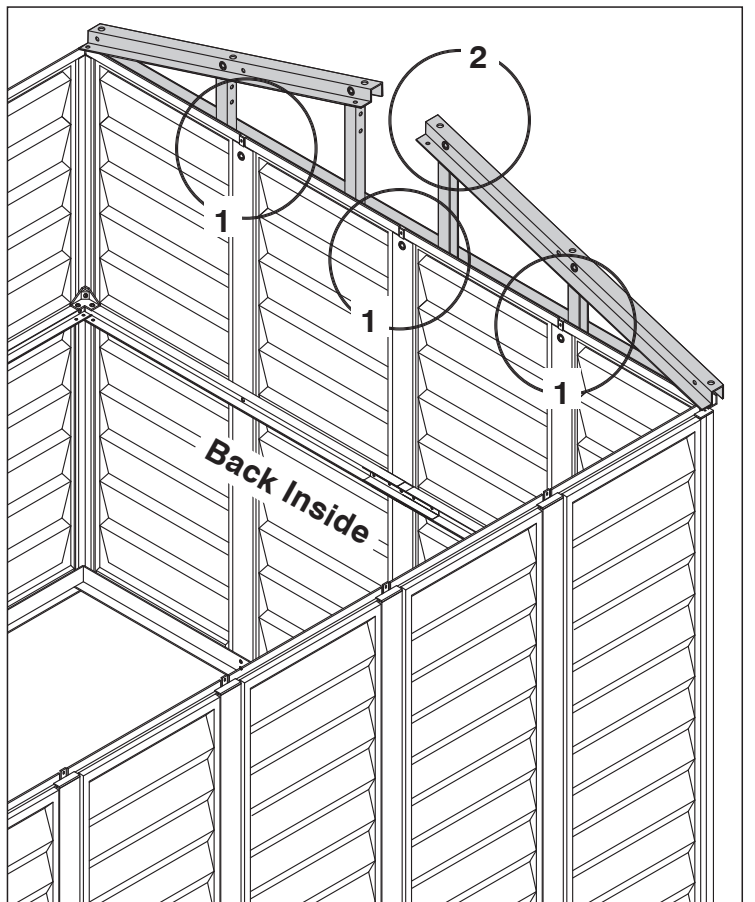


Fig.1

Fig.2



22. Insert the 90 degree joint (RJ) (assembled with (RS3) roof structure) into the roof structure (RS1H). See fig.1. Secure (RJ) to (RS1H) with (S1) screw. See fig.2. Secure (RJ) with (FCC) using (S2) screw. See fig.3. Fix (RS2A) to (RJ) through (RS3) assembly with (S1) screw. See fig.4. Repeat the same for other 3 corners.

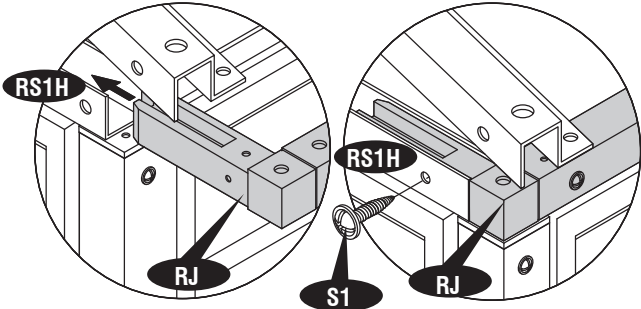


Fig.1

Fig.2

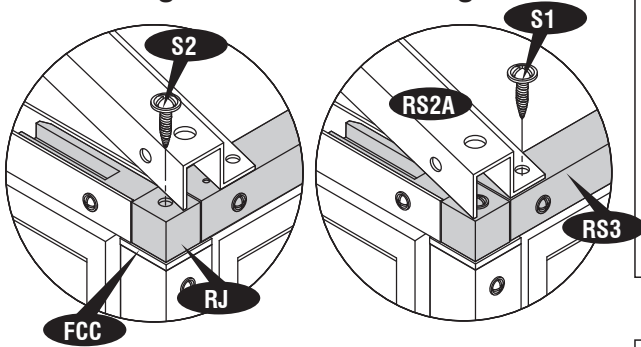


Fig.3

Fig.4

23. Fix (RS3) assembly to middle column fitting (FMC) & door column fitting (FDCR) with (S1) screws. See fig.1&2.

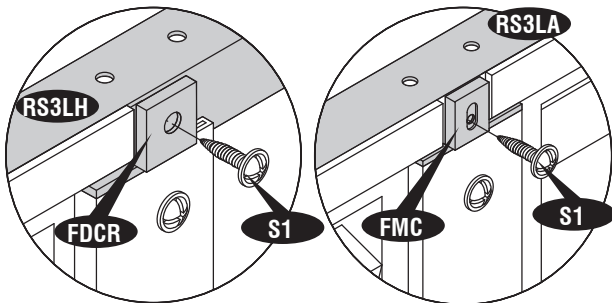
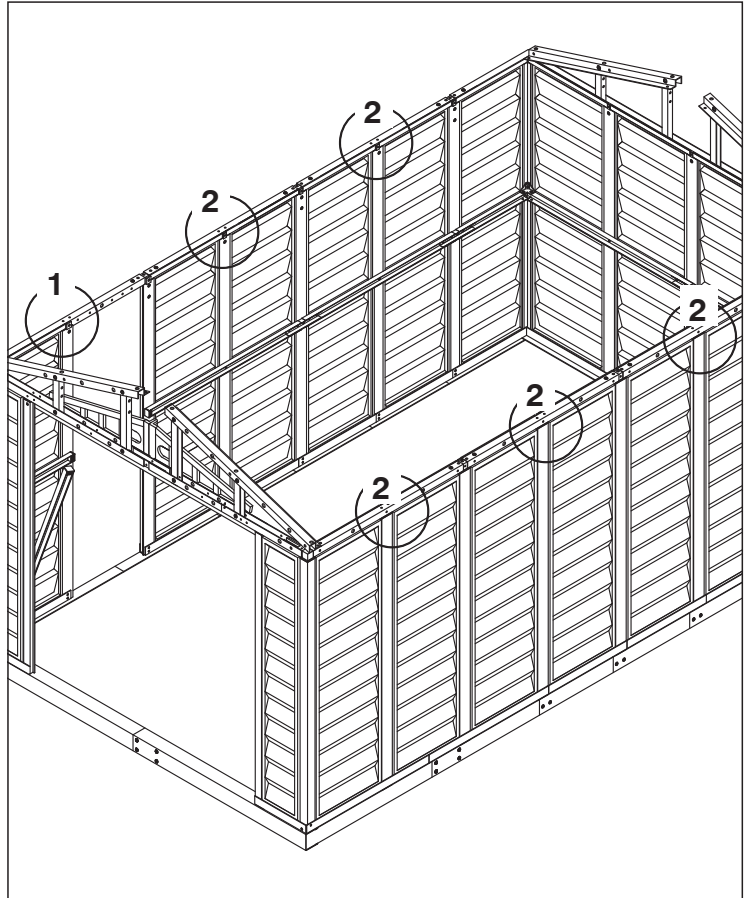
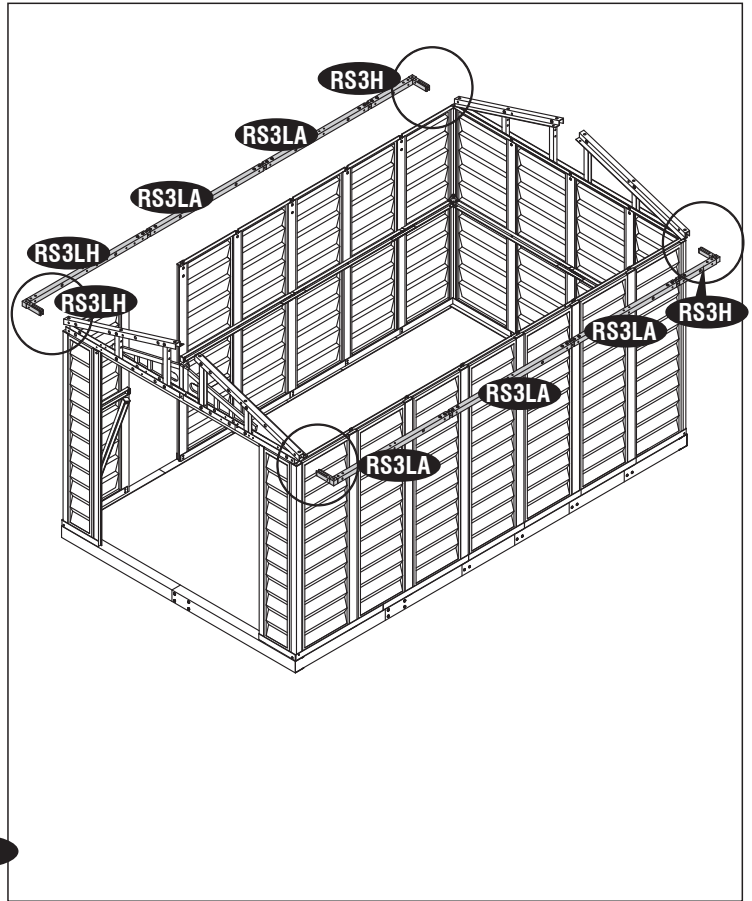
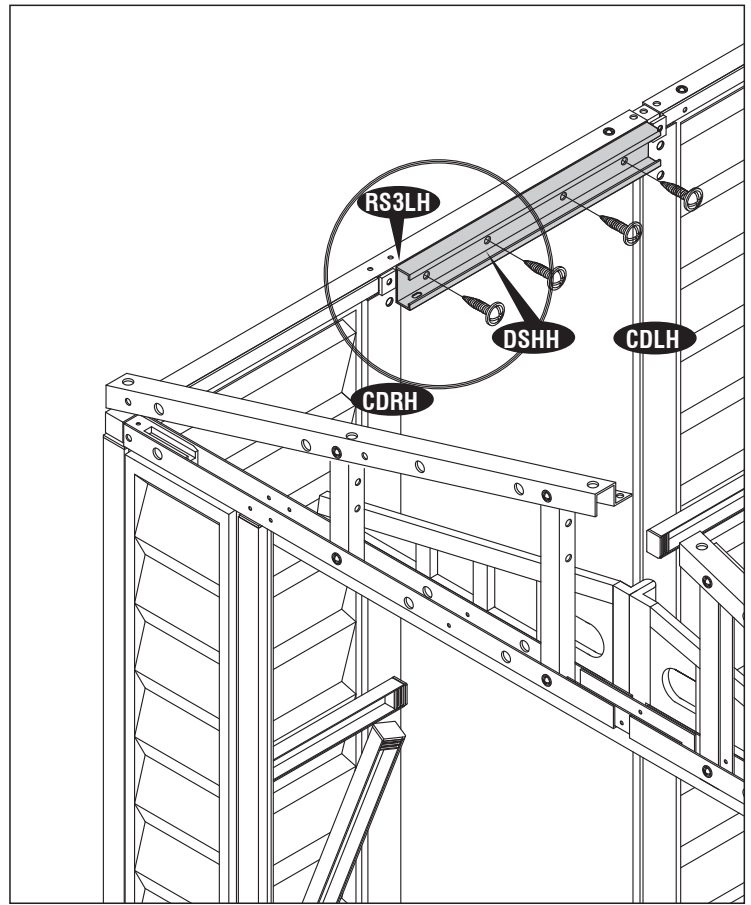
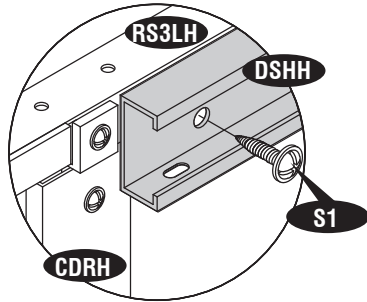


Fig.1

Fig.2



24. Fix the door stopper (DSHH) to the roof structure (RS3LH) with (S1) screws.



25. Place the assembled roof structure (RS5A) & (RS6H) into position on roof structure supports (RS8H) at the left side of the shed. Use (S1) screws to fix. Repeat the same for assembling (RS5A) & (RS7H) assembly. See fig.1&2.

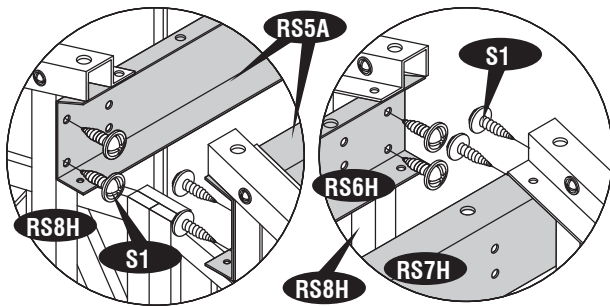
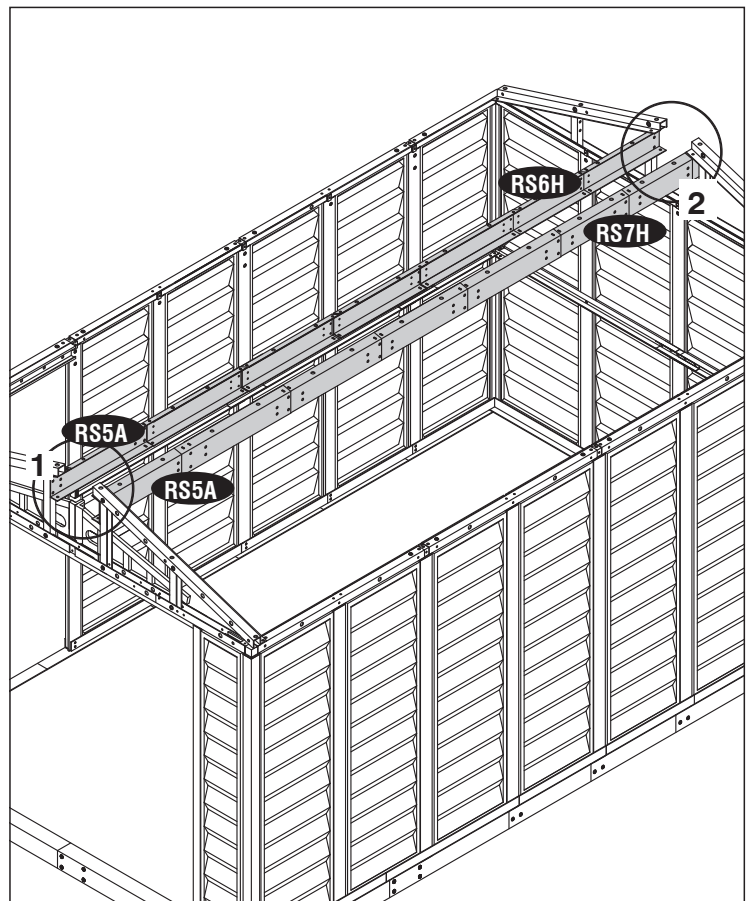
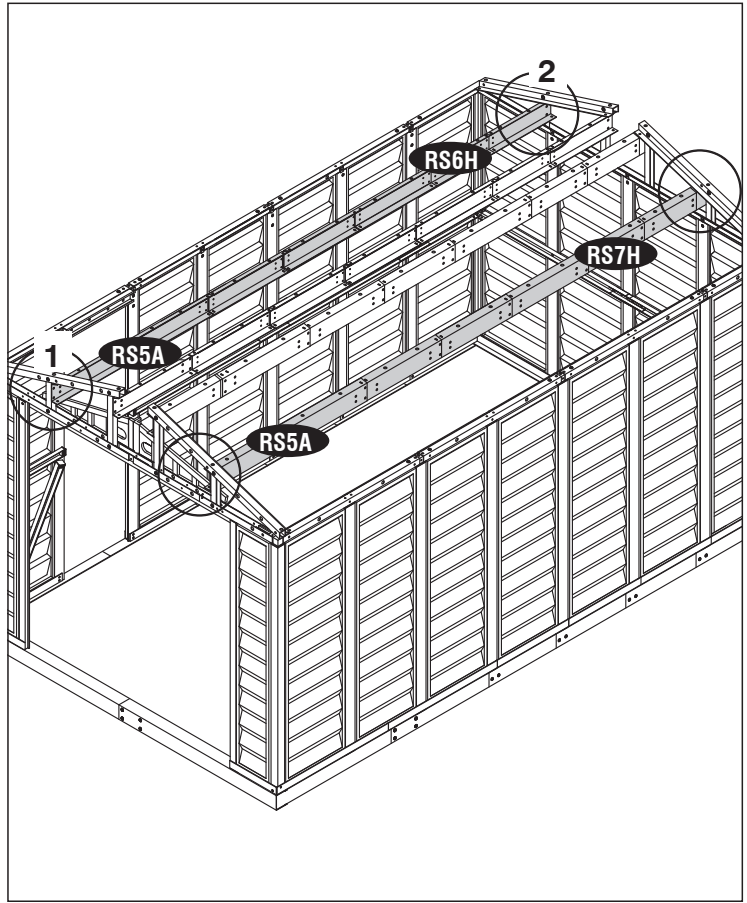
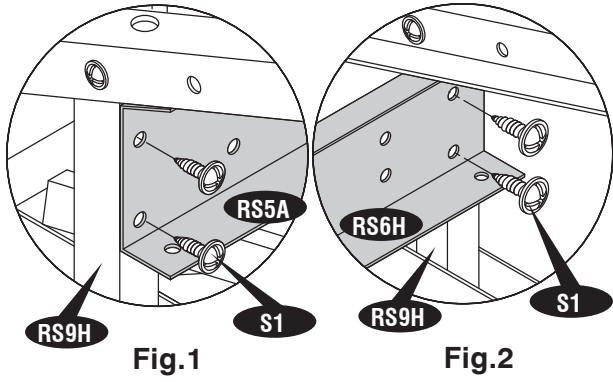


Fig.1

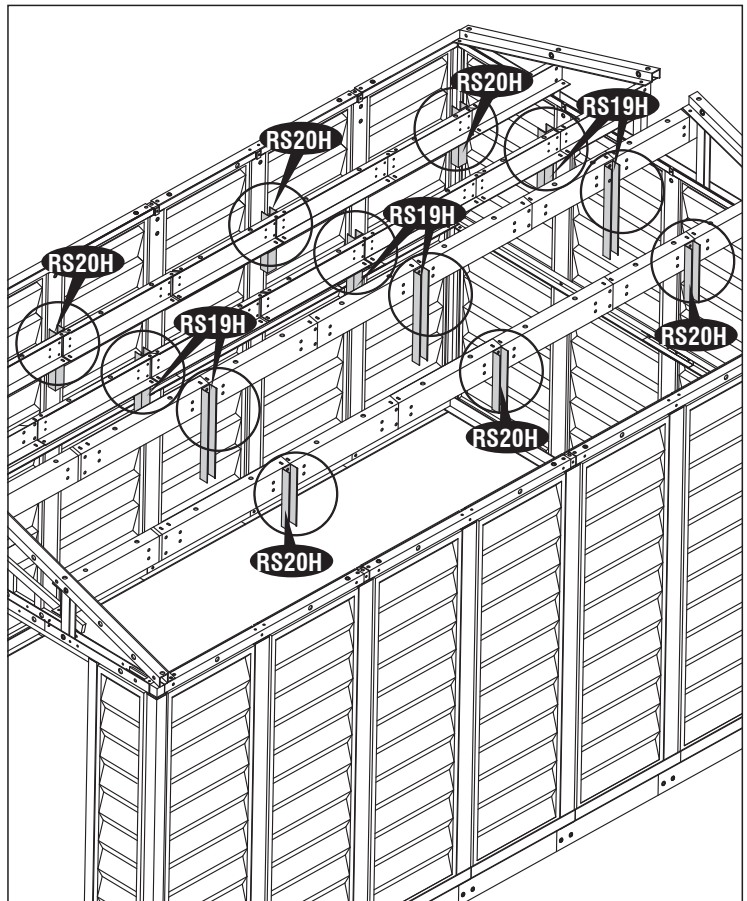
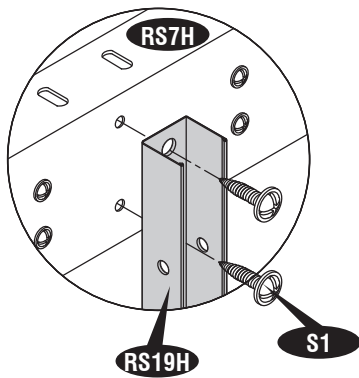
Fig.2



26. Place the assembled roof structure (**RS5A**) & (**RS6H**) into position on roof structure supports (**RS9H**) at the left side of the shed. Use (**S1**) screws to fix. See fig.1&2. Repeat the same for assembling (**RS5A**) & (**RS7H**) assembly.



27. Fix the vertical support (**RS19H**) & (**RS20H**) to (**RS5**) assembly with (**S1**) screws. Add two (**RS19H**) & (**RS20H**) for each Extension.



28. Attach the roof structure (RS4XA) 12 nos. to (RS3LH) & (RS3LA) assembly with (S1) screws. See fig.1.

Attach the roof structure (RS4XA) to (RS5A), (RS6H) assembly and (RS5A), (RS7H) assembly with (S7) screws. See fig.2&3.
Add two (RS4XA) for each Extension.

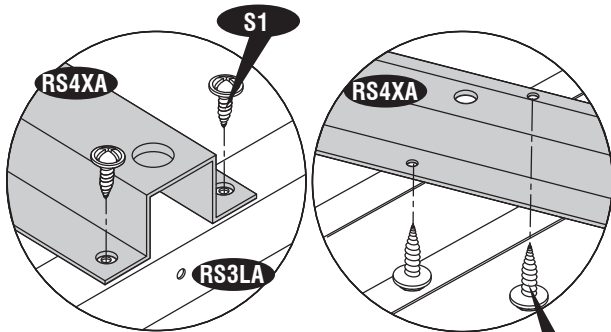


Fig.1

Fig.2

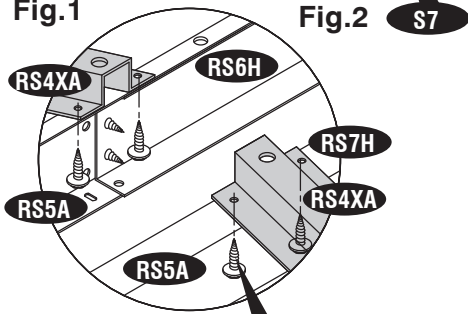
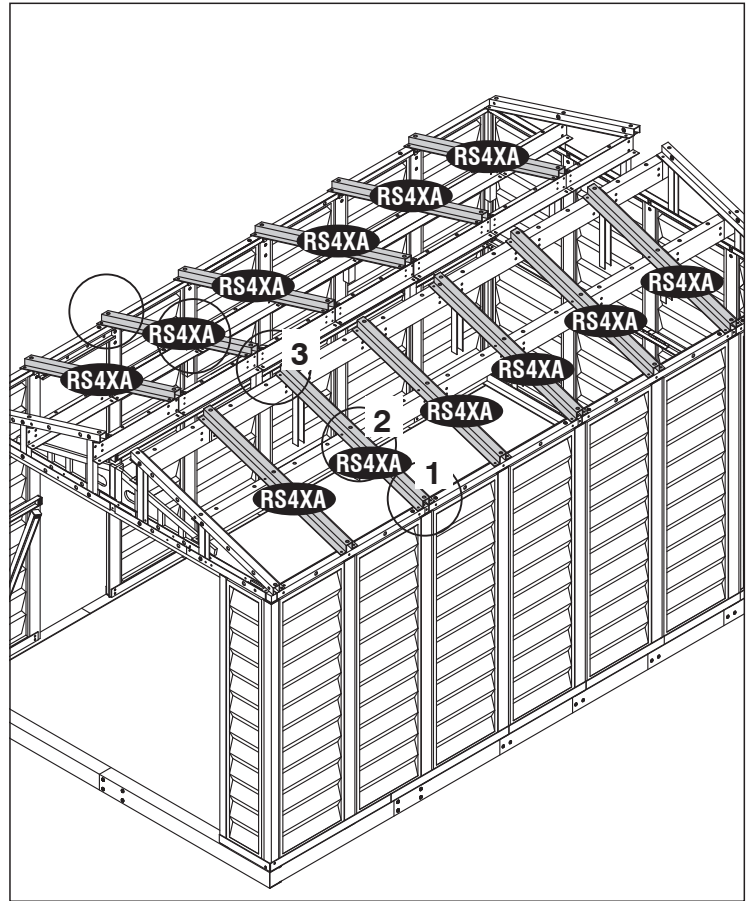


Fig.3



29. Attach roof structure support (RS10A) & (RS11A) to roof structures (RS5A), (RS6H) & (RS7H) using (S1) screws. See fig.1,2&3.
Add one (RS11A) for each Extension.

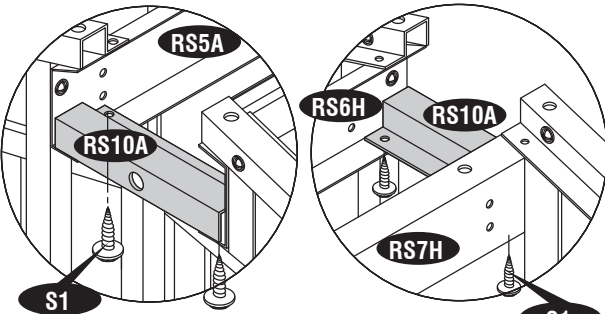
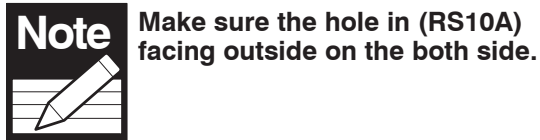


Fig.1

Fig.2

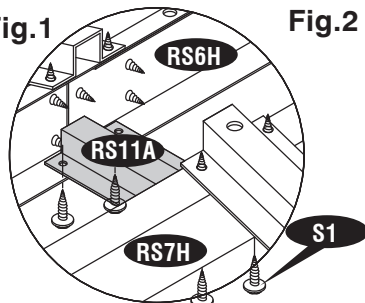
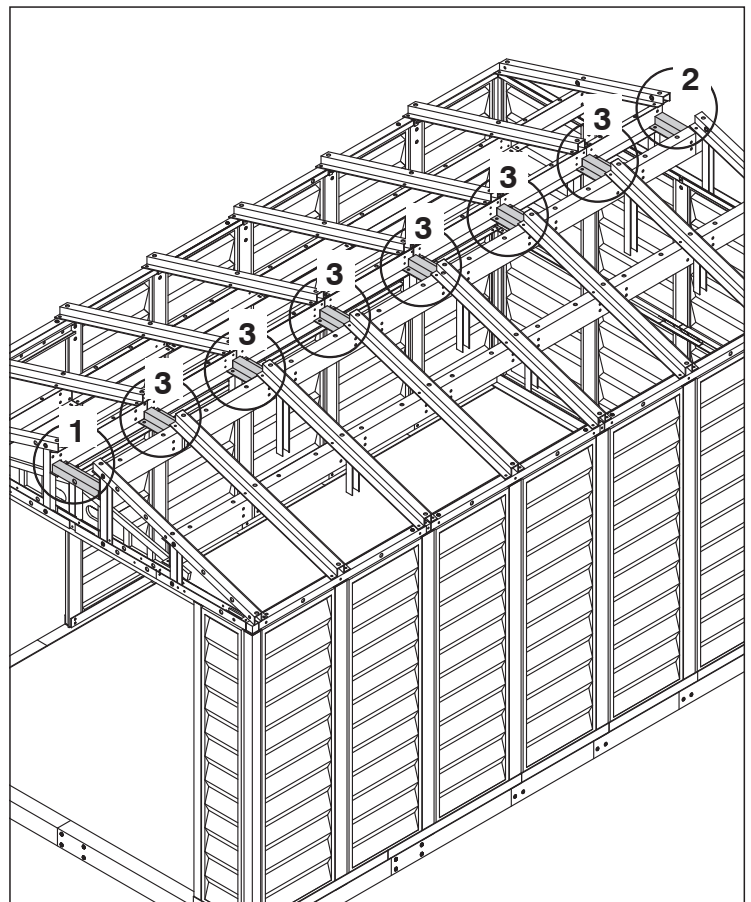
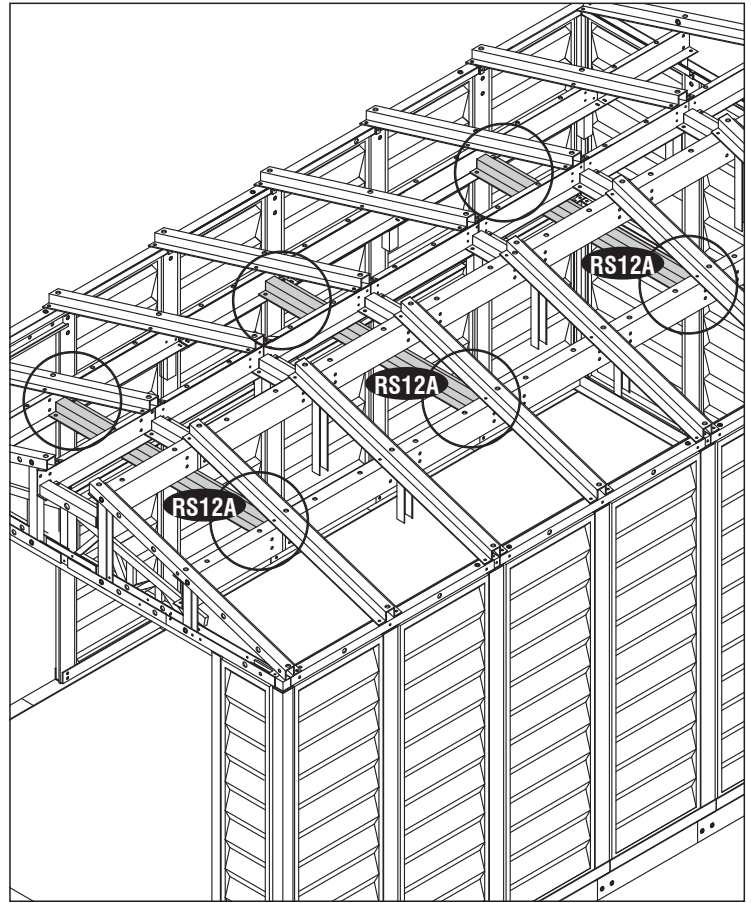
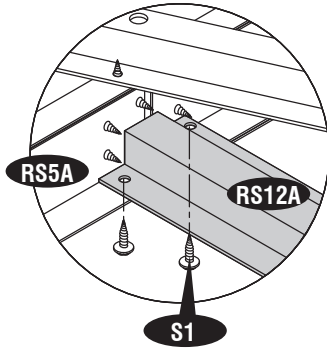


Fig.3

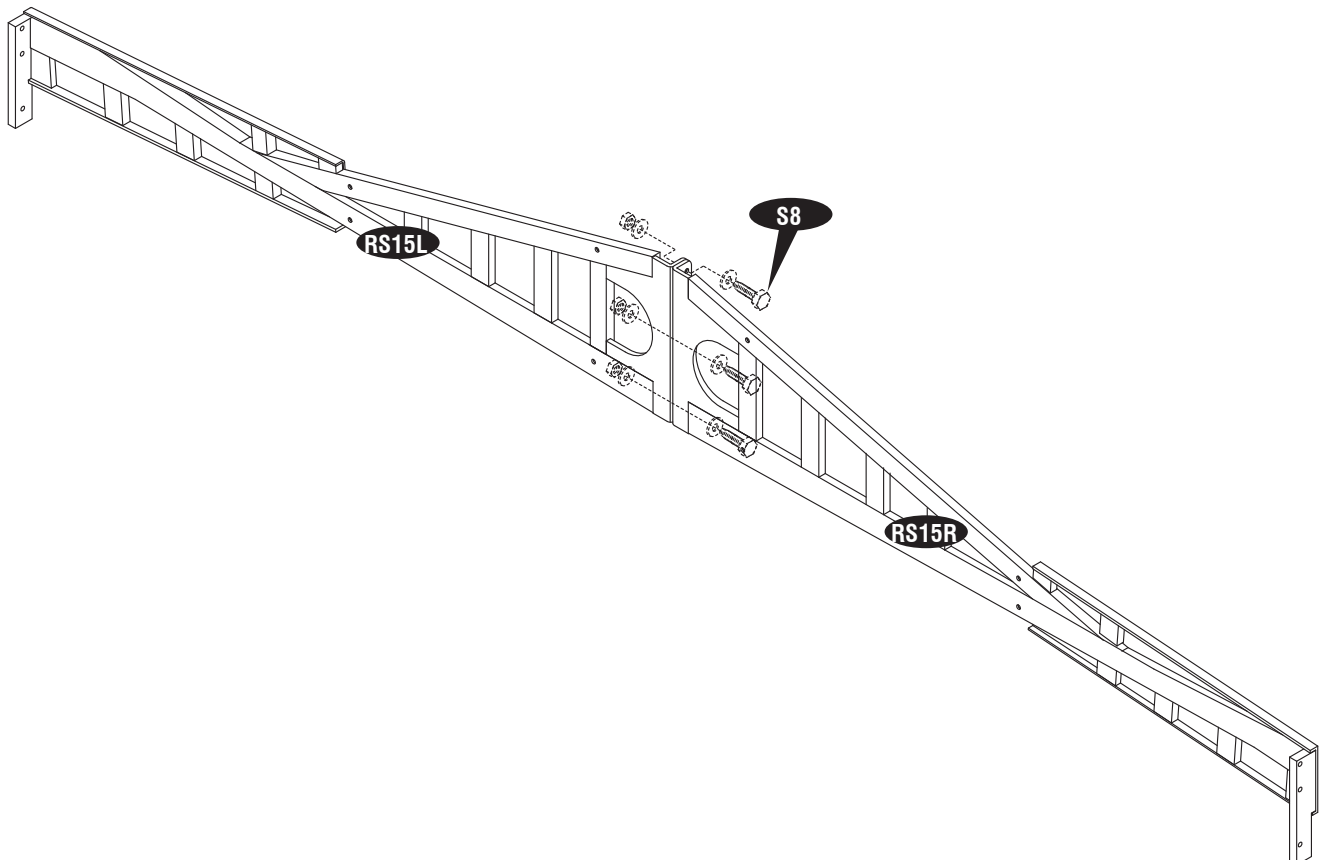


30. Attach the roof structure support (RS12A) with (RS5A) to (RS5A) and (RS6H) to (RS7H) with (S1) screws.



31. Assemble the roof structure support (RS15L) & (RS15R) together with (S8) bolt & nut with washers.

Make three sets.



32. Fix the assembled roof structure support (RS15L) & (RS15R) to the column (CMH) & (CDLH) with (S1) & (S2) screws. See fig. Add one (RS15L) & (RS15R) for each Extension.

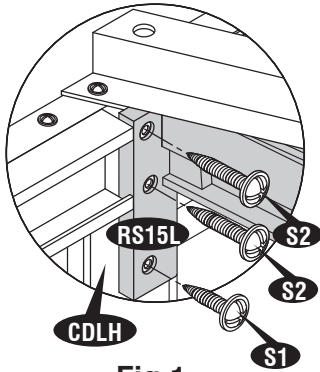


Fig.1

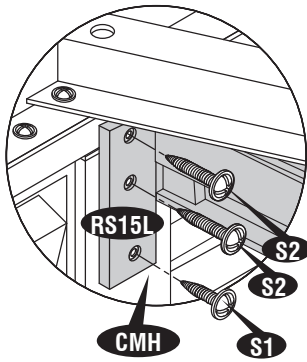
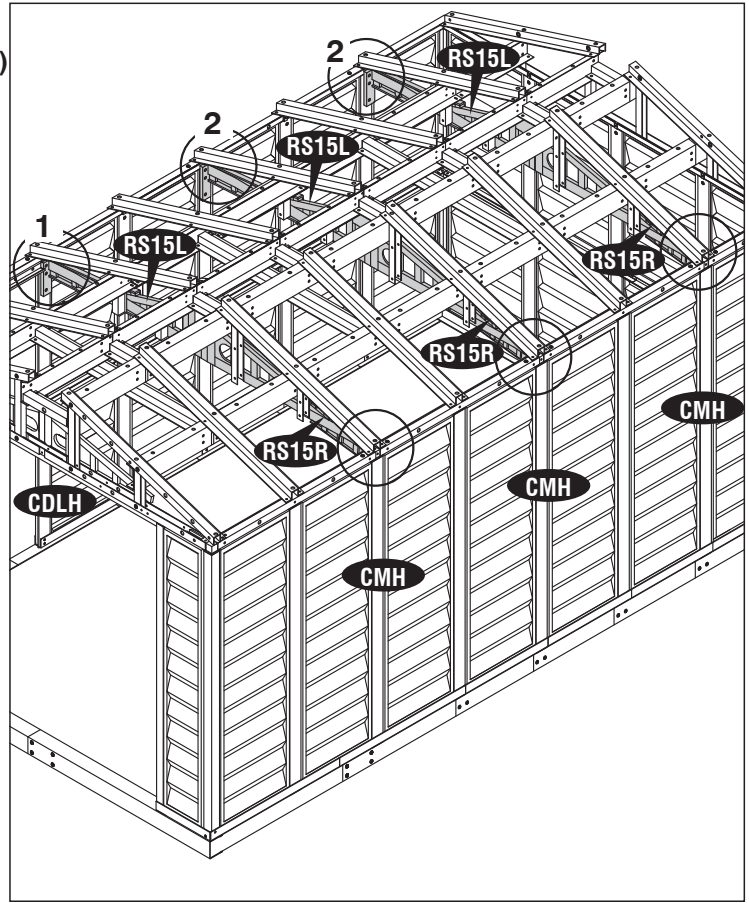


Fig.2



33. Attach the roof structure support (RS15L) & (RS15R) assembly to (RS19H) & (RS20H) with (S1) screws. See fig.1&2. Fix the cover (TCH) at the bottom of (RS19H) & (RS20H) with (S1) screws. See fig.3.

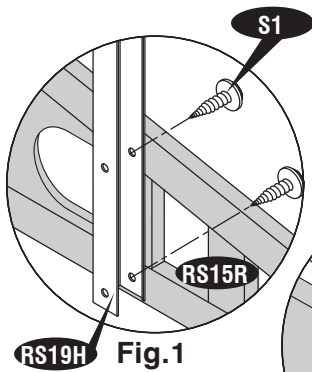


Fig.1

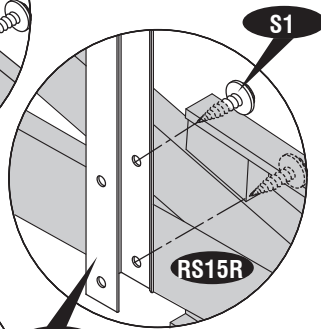


Fig.2

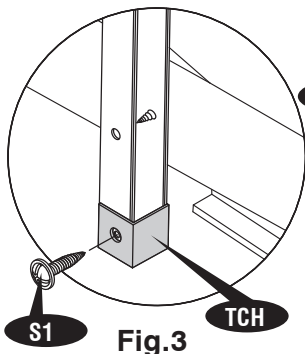
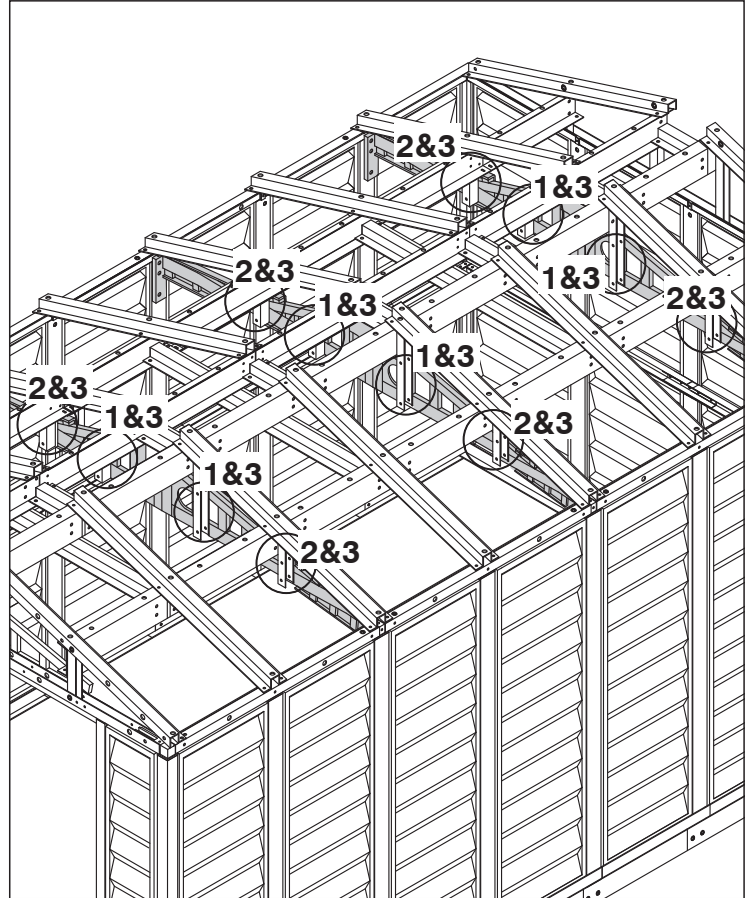


Fig.3



D. Roof panels

Parts Needed:

- | | |
|-----------------------------|---------|
| (12) Roof Panels | (RP↑) |
| (2) Facia Panel Left | (FPL) |
| (2) Facia Panel Right | (FPR) |
| (6) Ridge Cover Small | (RRS) |
| (128) Roof Plug with Washer | (PPG) |
| (128) Roof Pin | (PIN) |
| (24) Sagging Support | (RS14A) |

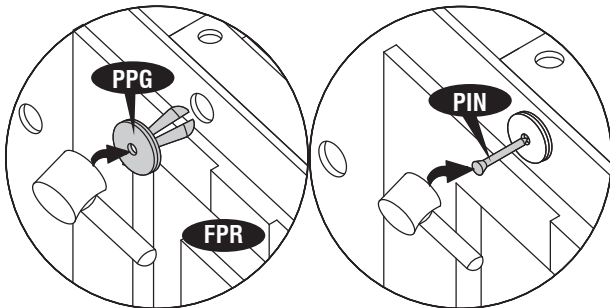
Parts Needed For each Extension:

- | | |
|----------------------------|---------|
| (2) Roof Panels | (RP↑) |
| (1) Ridge Cover Small | (RRS) |
| (58) Roof Plug with Washer | (PPG) |
| (58) Roof Pin | (PIN) |
| (4) Sagging Support | (RS14A) |

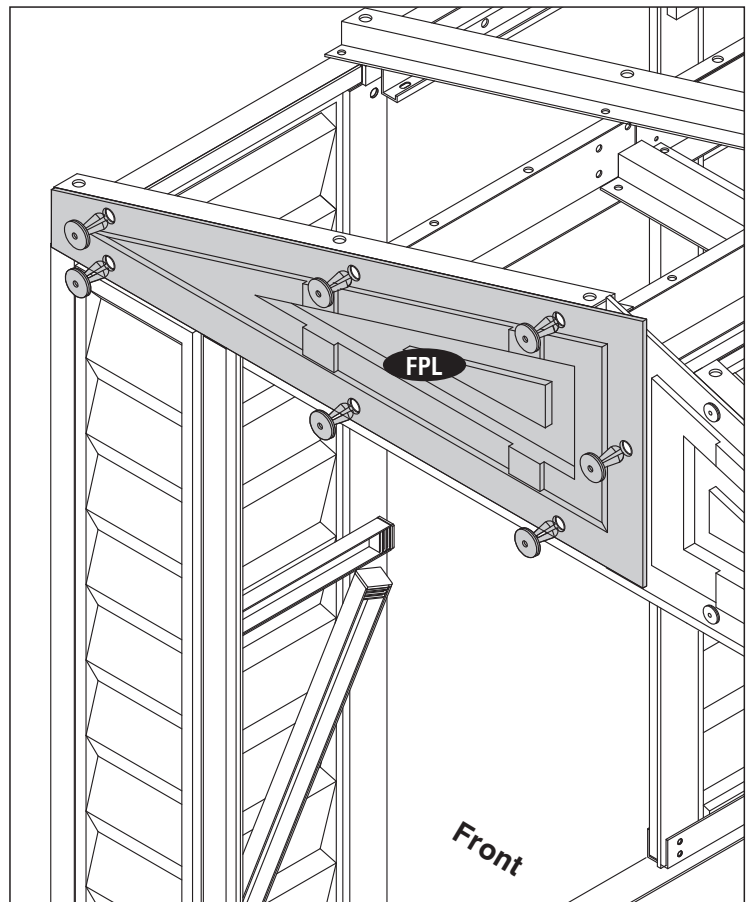
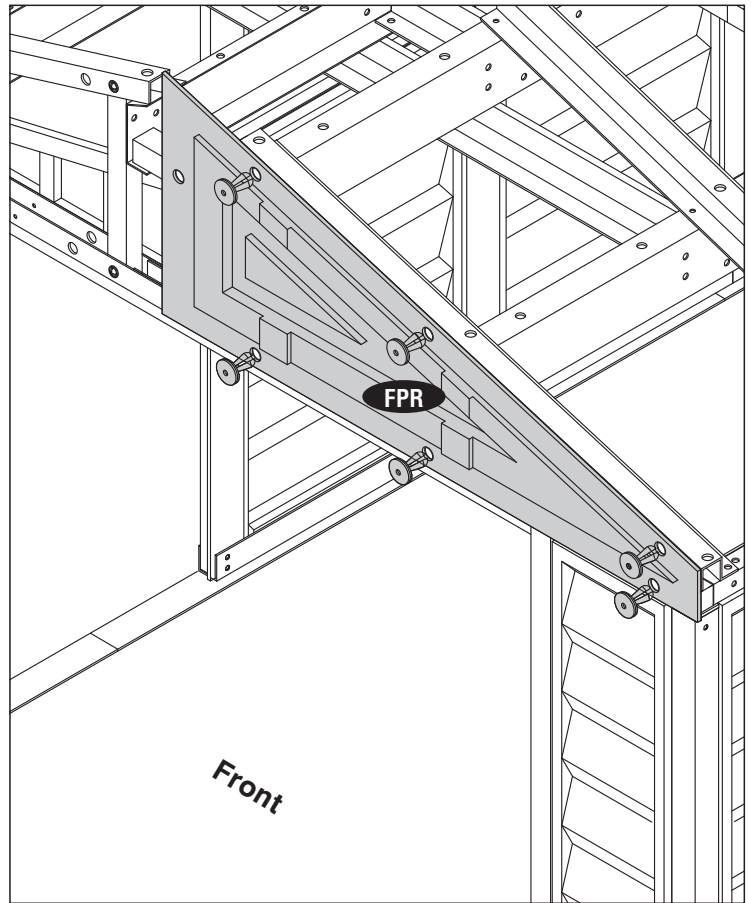
1. Place facia panel (FPR) to front roof structure right side. Line up the holes with roof structure and fix the roof plugs with washer (PPG). Use a hammer (rubber mallet) to drive in roof pin (PIN). See fig.1&2.



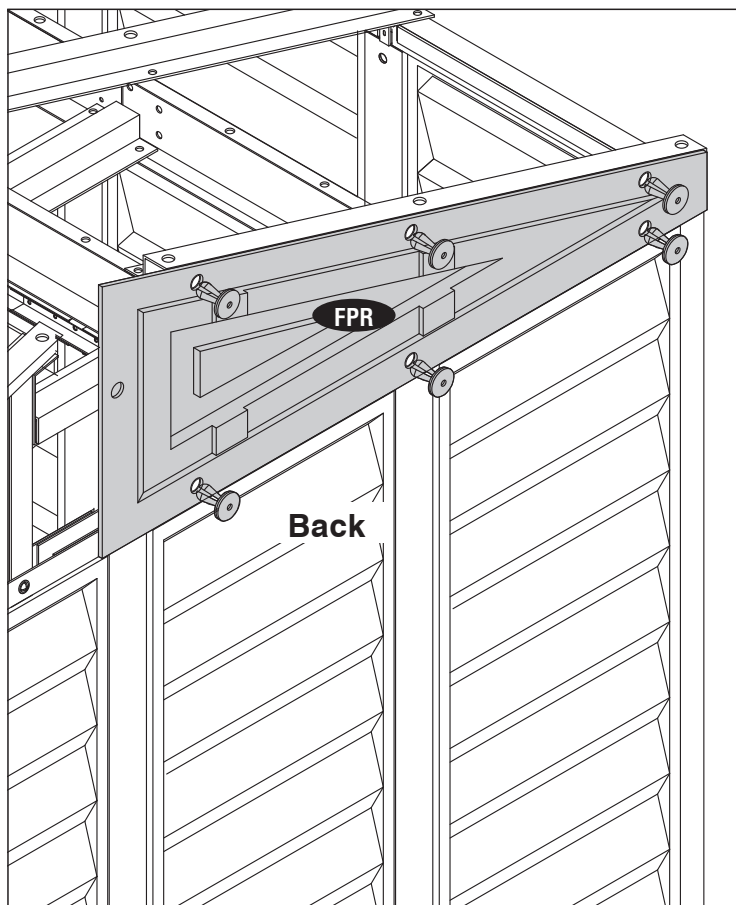
First insert all roof plugs with washers to the panels (left & right) then drive in the roof pins.



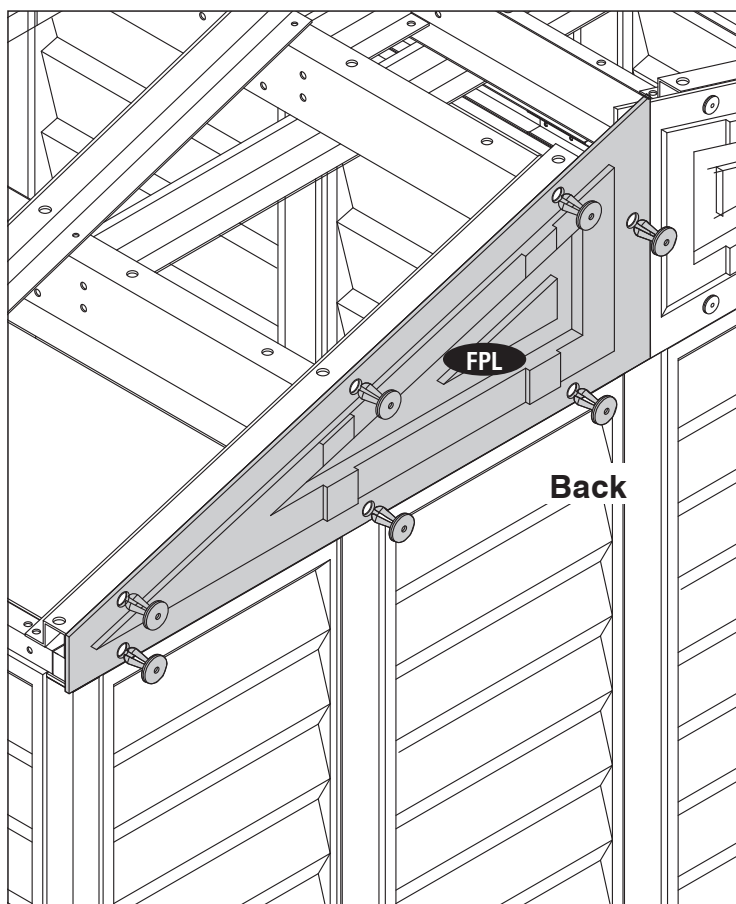
2. Place facia panel (FPL) to front roof structure left side. Make sure (FPL) overlaps on (FPR). Repeat the same step 1.



3. Place fascia panel (**FPR**) to back roof structure right side. Repeat the same step 1.



4. Place fascia panel (**FPL**) to back roof structure left side. Repeat the same step 1.



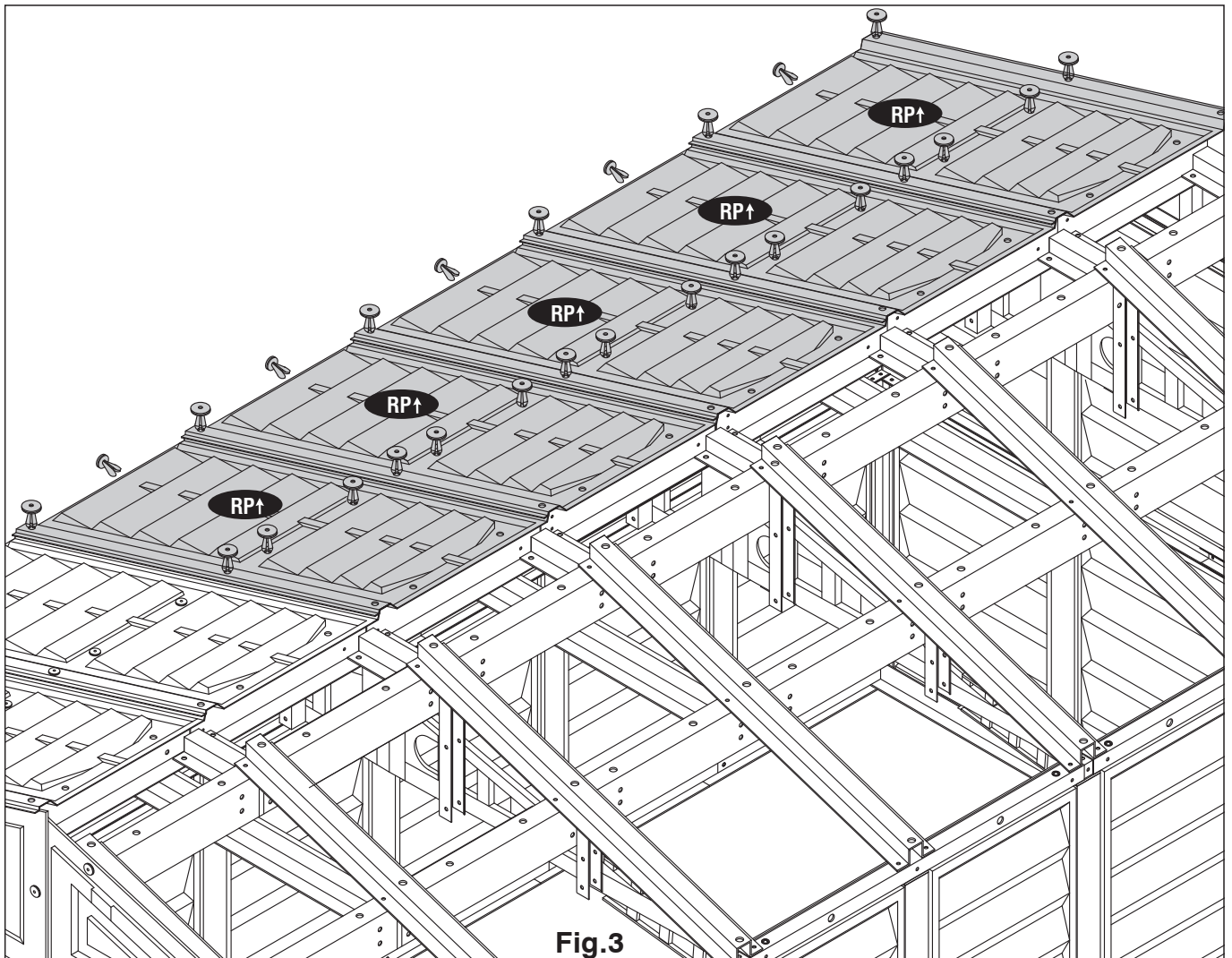
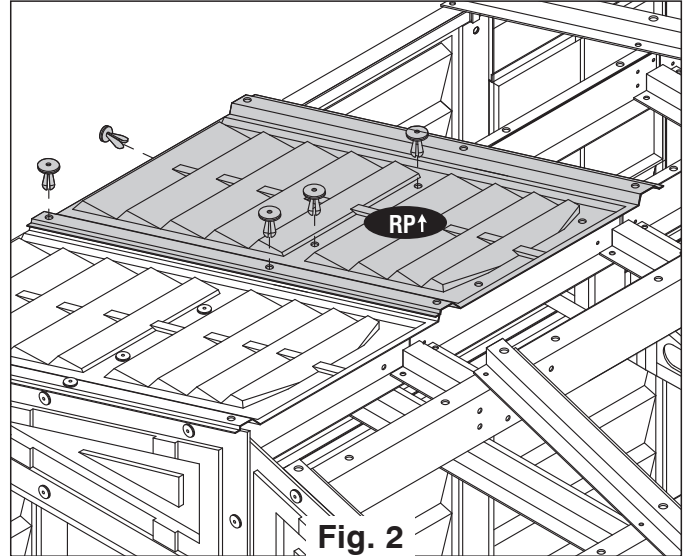
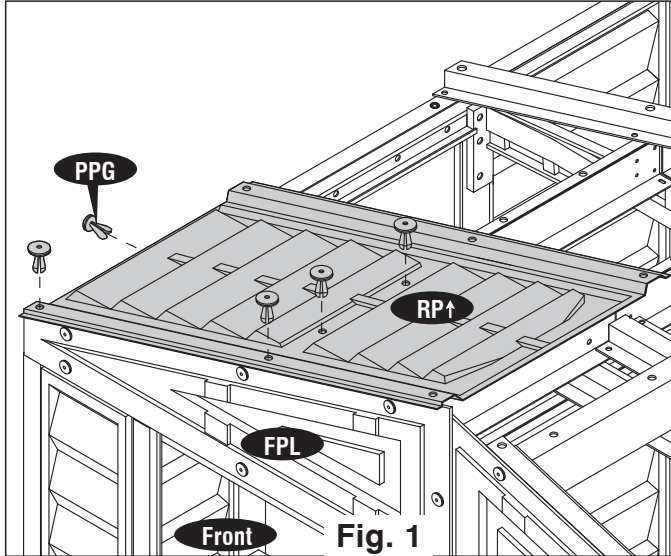
5. Start attaching the roof panels from (FPL) corner side by sliding the roof panel (RP↑) to roof structure. Locate the hole positions of the roof panel and roof structure. Fix roof plug with washers. Use a hammer to drive in roof pins. See fig.



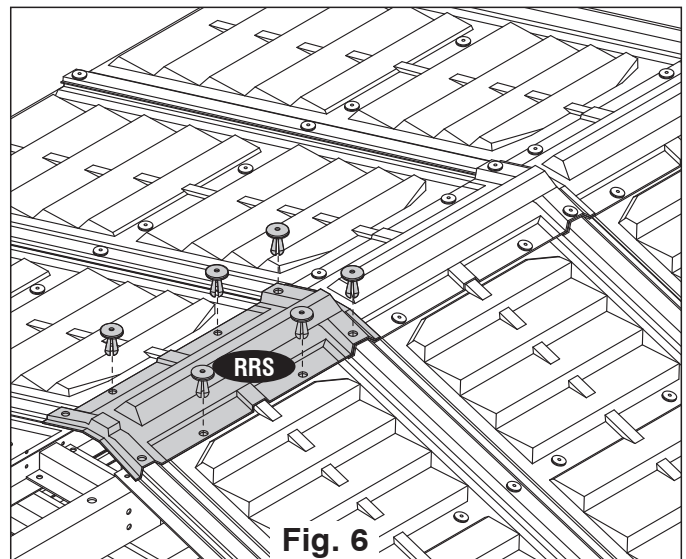
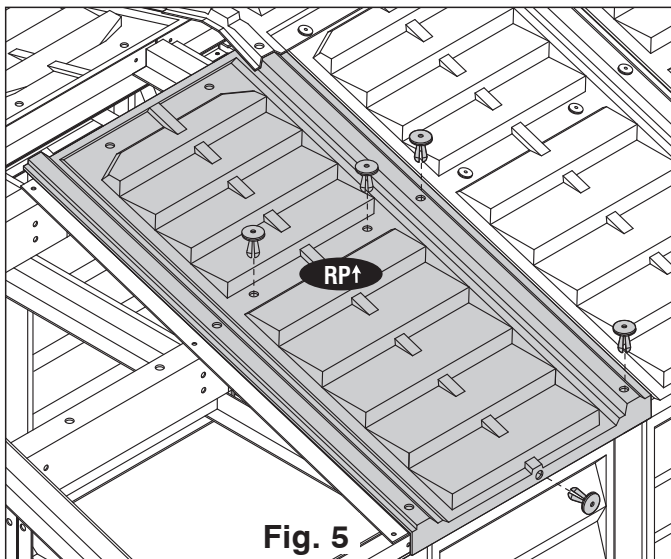
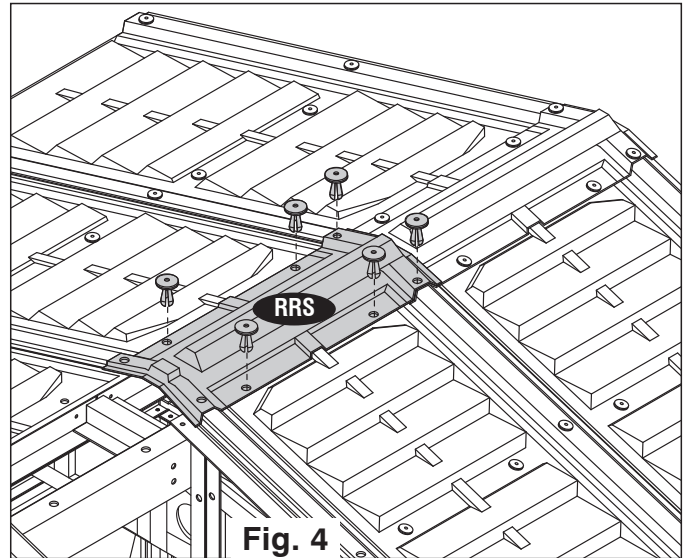
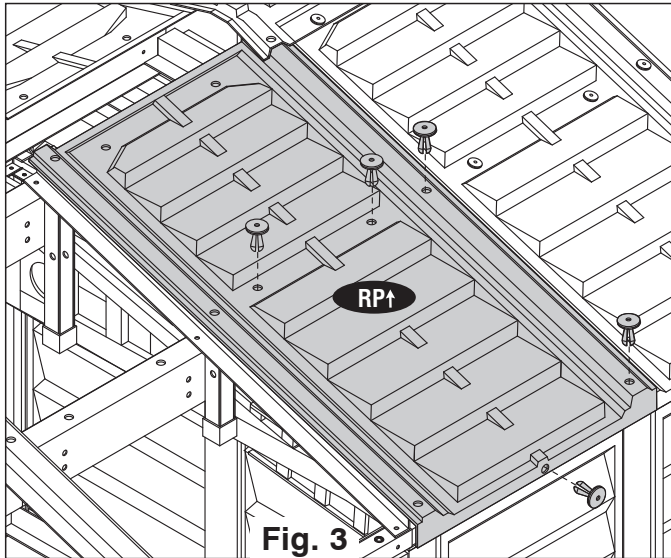
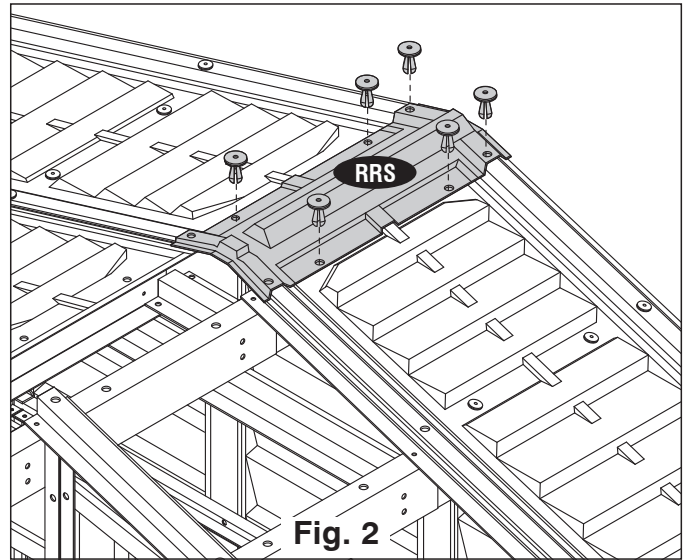
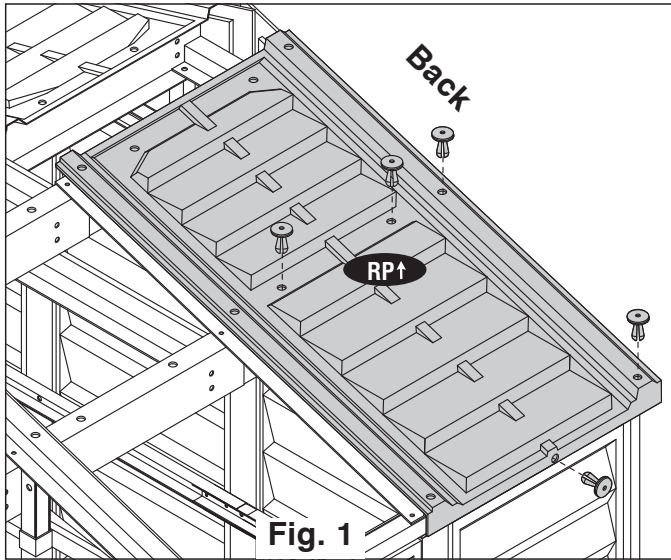
Note Use a screw driver to align the holes.

Insert roof plugs into roof panels only as indicated.

Note *Roof Panel installation by using ladder from inside at missing Panels.*



6. Continue to attaching the roof panels from back right. After fixing each roof panel attach each ridge cover (RRS). See fig. and follow the steps.



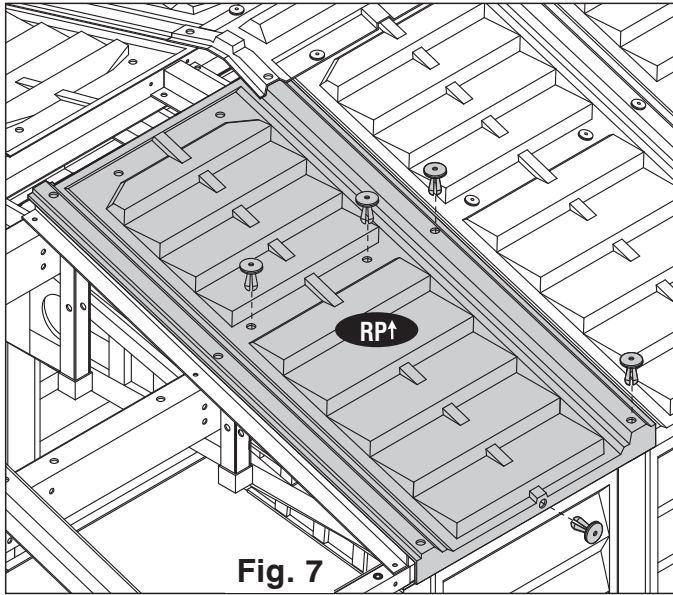


Fig. 7

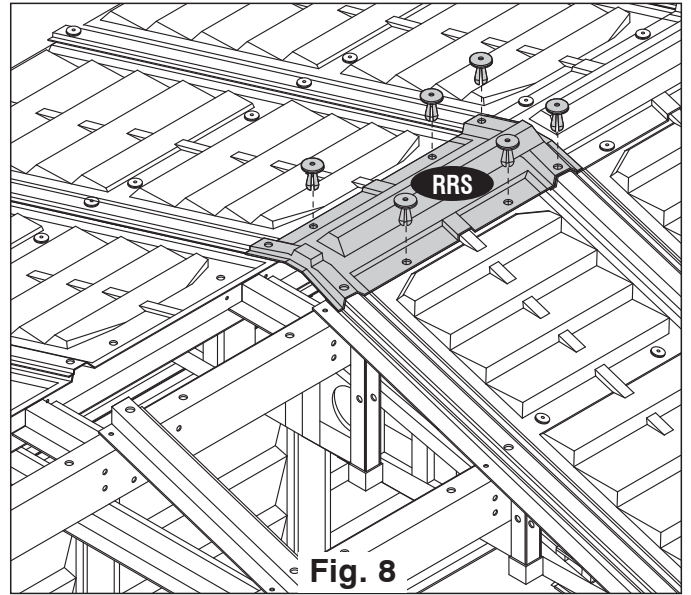


Fig. 8

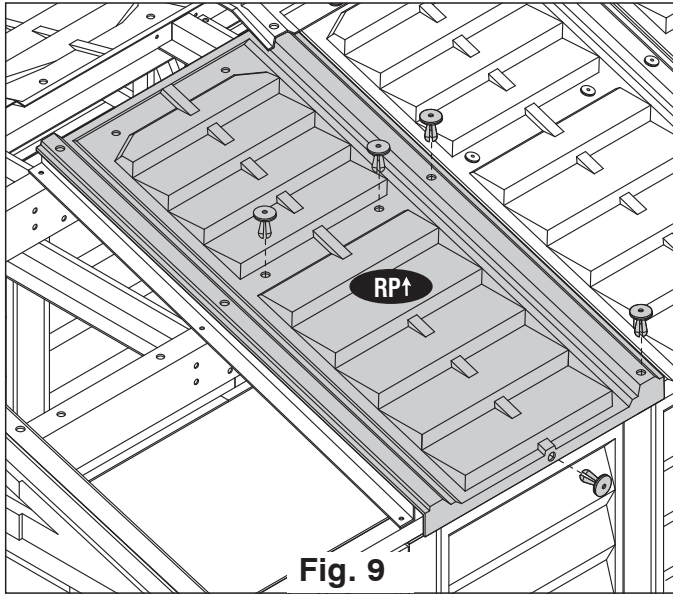


Fig. 9

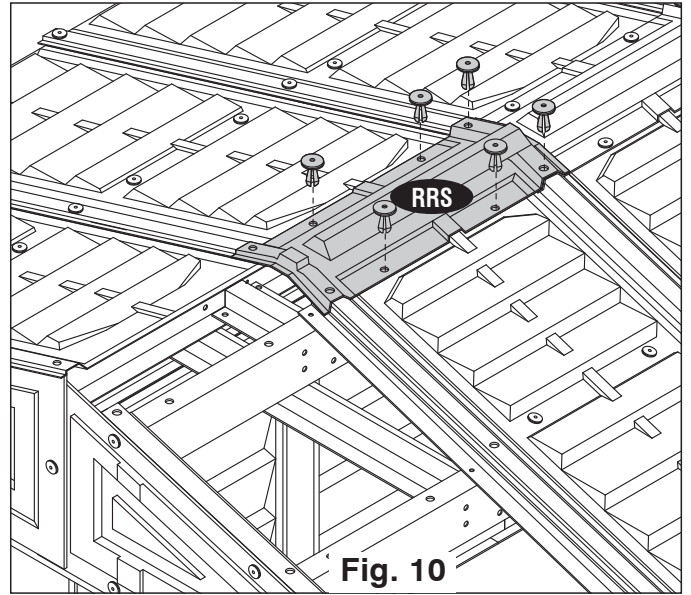


Fig. 10

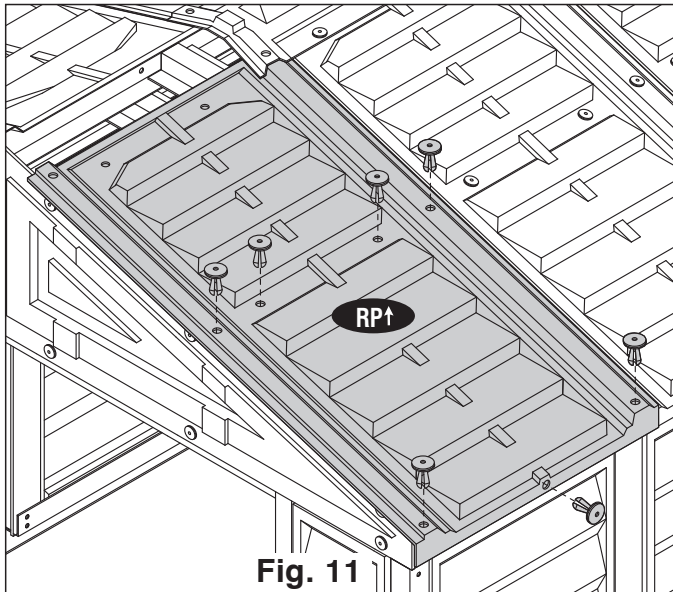


Fig. 11

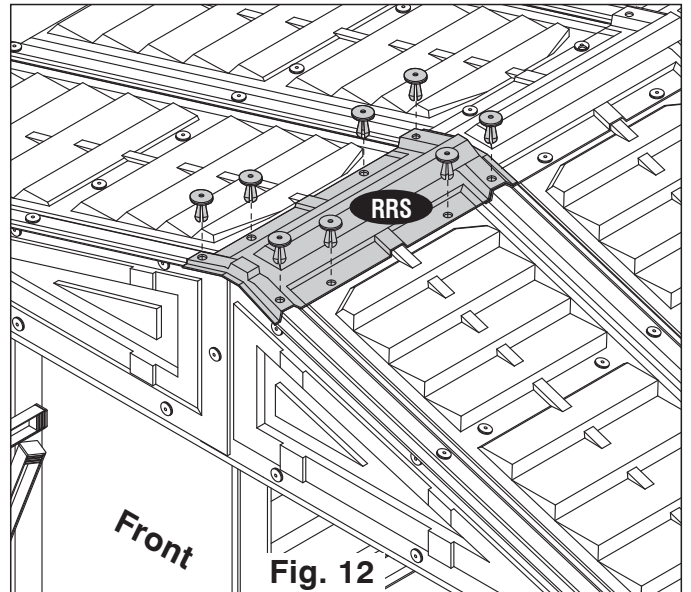


Fig. 12

7. Insert the sagging support (**RS14A**) from inside the shed by sliding in between roof structure (**RS5**) and roof panel until it reaches (**RS3**) roof structure for each panel. See fig.1.

8. Insert the sagging support (**RS14A**) from inside the shed by sliding in between roof structure (**RS5**) and roof panel until it touches the other roof structure (**RS5**). See fig.2.

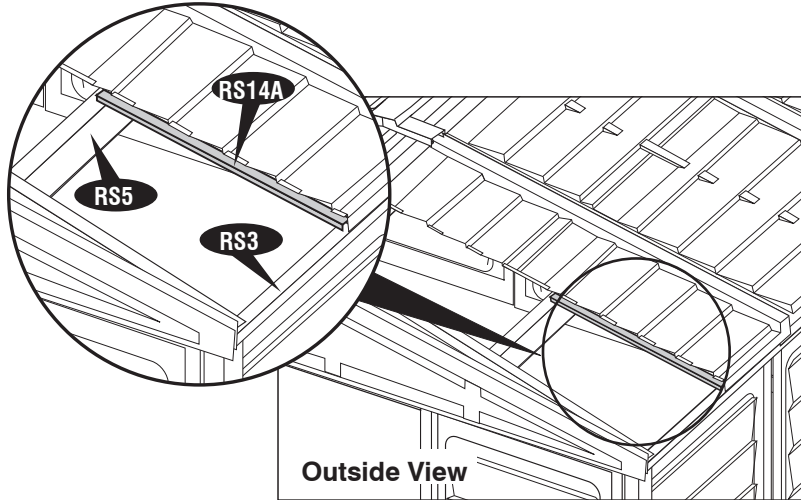


Fig. 1

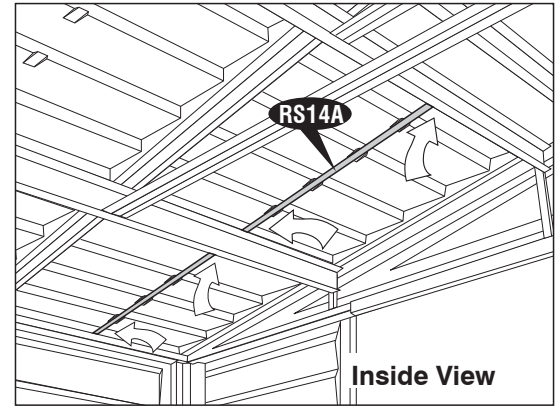


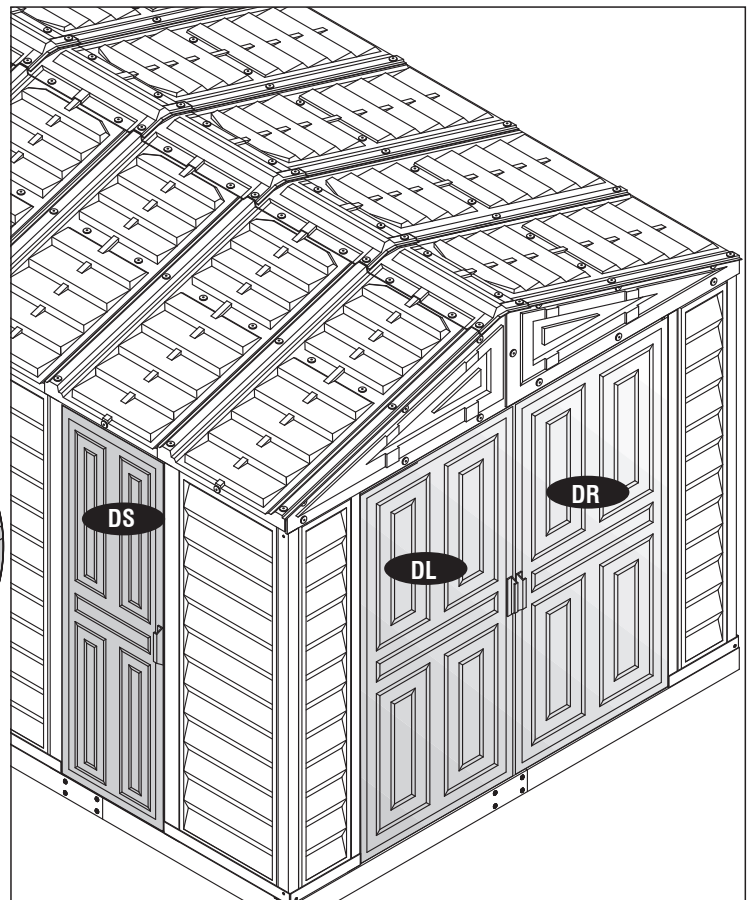
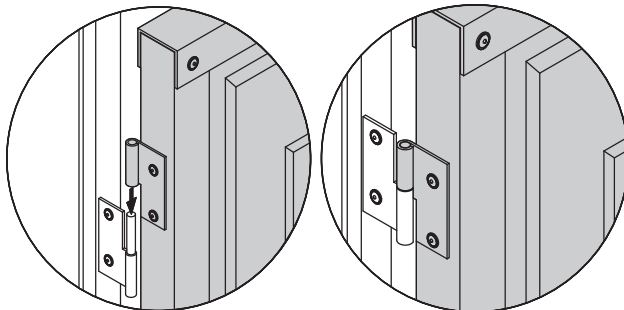
Fig. 2

E. Doors

Parts Needed:

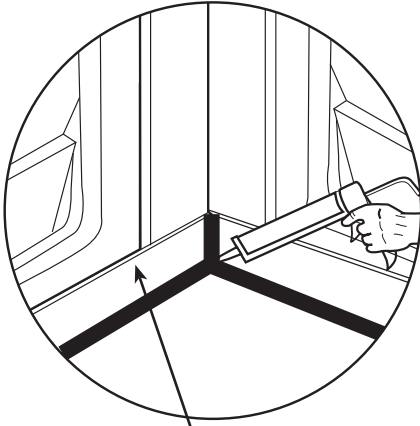
- | | |
|----------------|------|
| (1) Door Left | (DL) |
| (1) Door Right | (DR) |
| (1) Door Small | (DS) |

1. Attach the doors with loose pin hinges on door columns. See fig.

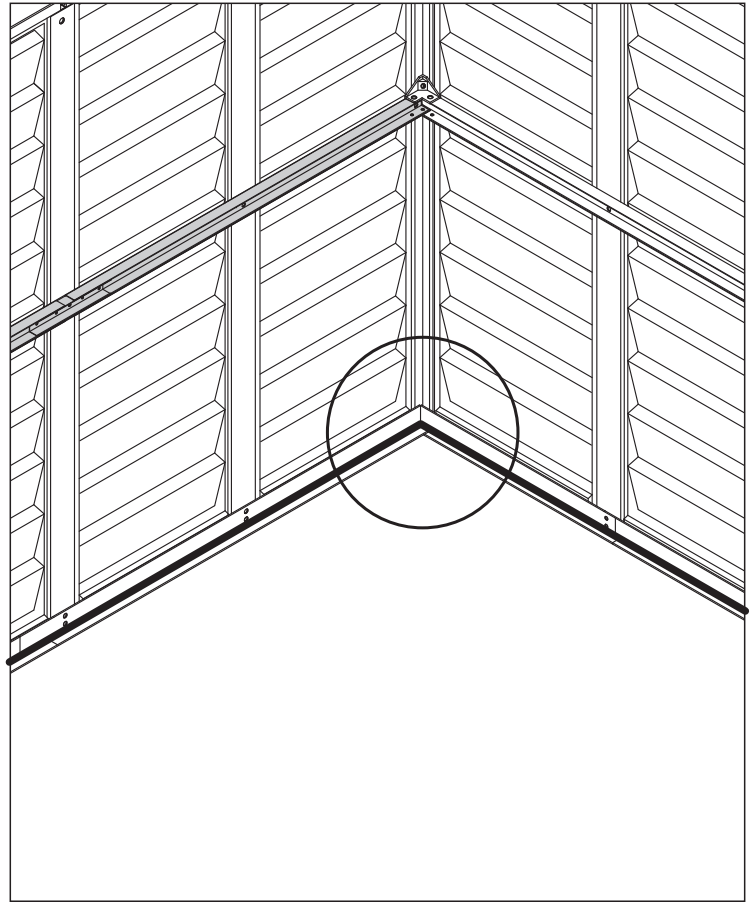


Note: To prevent water leakage it is important that these instructions are followed.

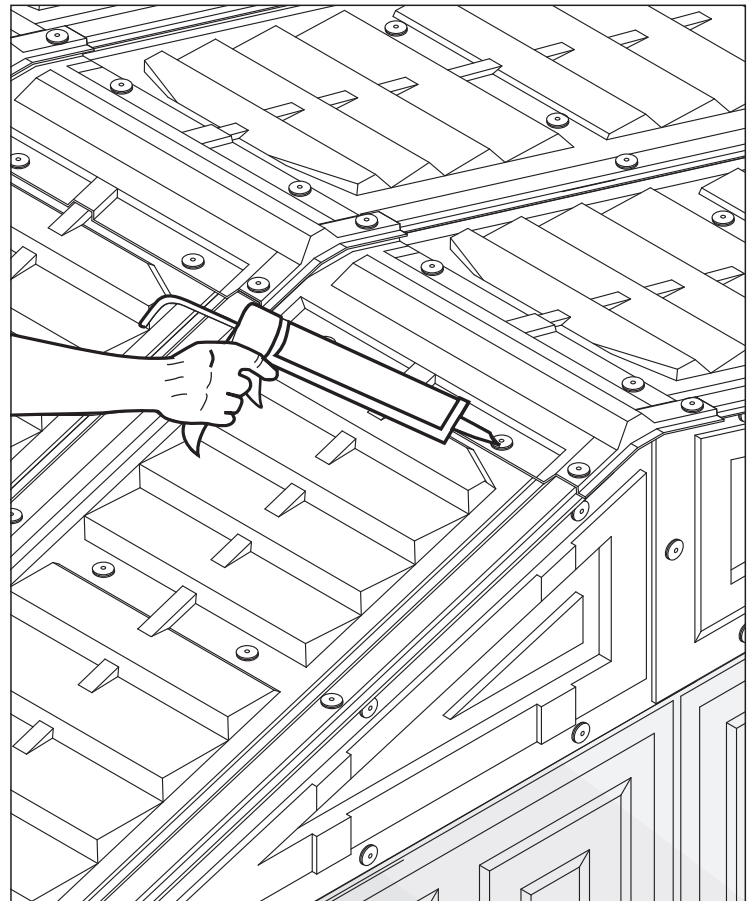
1. After completing the assembly apply silicone around the perimeter of the base U-channel. Seal the corners, joints and base of door column also.



Base U-channel



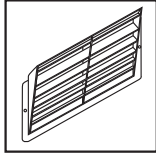
2. After completing the panel assembly, apply silicone around the roof plugs. This is optional and should be done for heavy rain areas if needed.



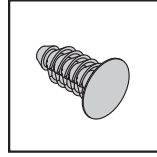
F. Ventilation Kit

Parts Needed:

Code	Qty
VC	2
VCP	4




VC

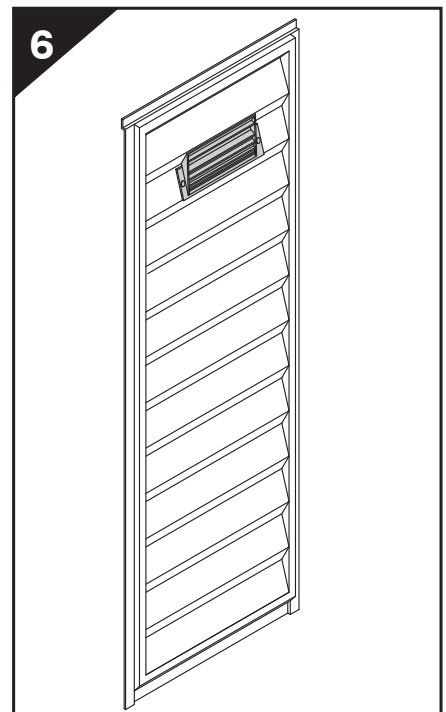
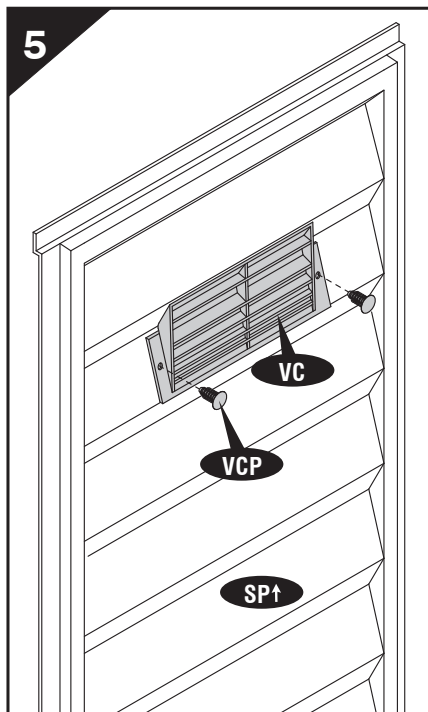
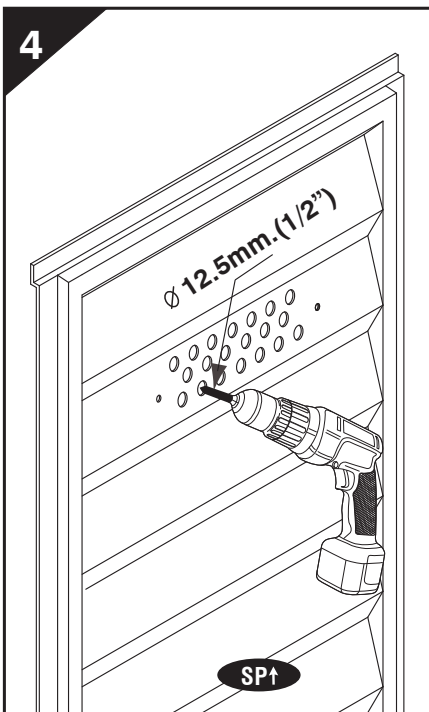
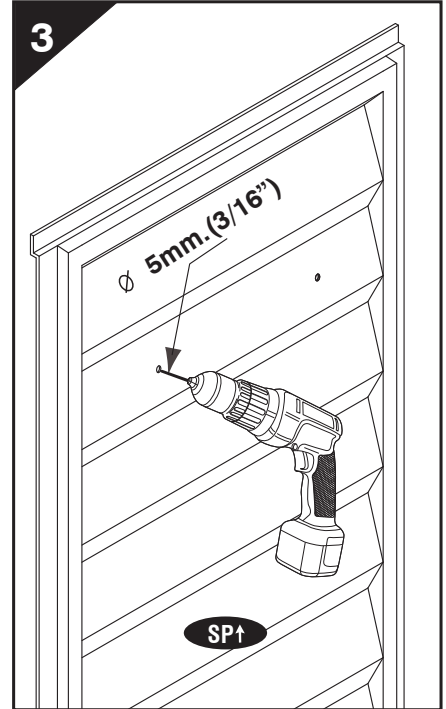
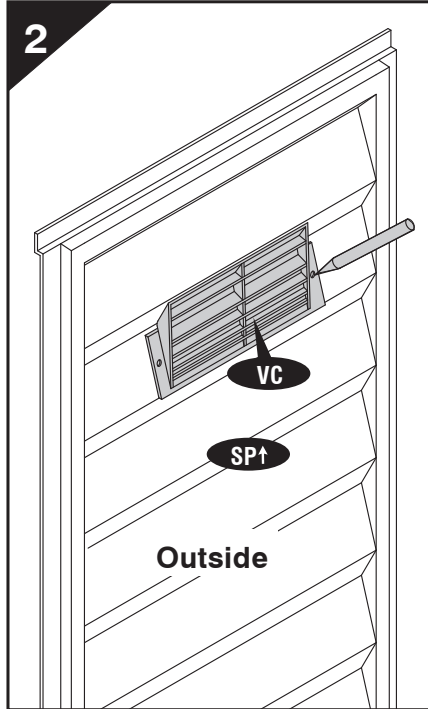
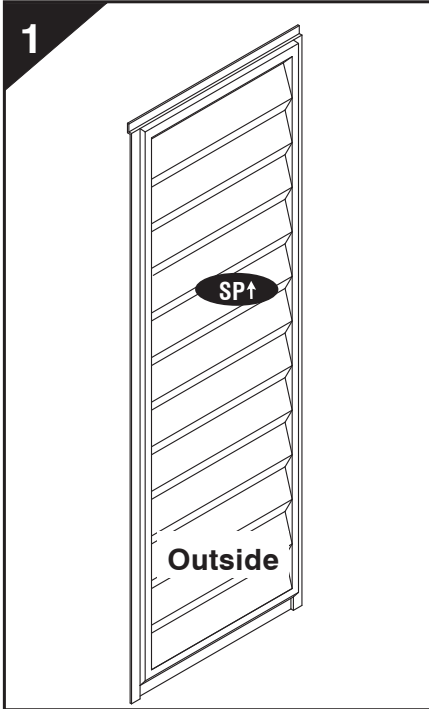


VCP

TOOLS YOU WILL NEED

Power Drill
 Dia 3/16" (5mm) drill bit
 Dia 1/2" (12.5mm) drill bit

Note  Optional ventilation kits can be installed on any of the wall panels. However, we recommend mounting them on the top of the shed's back wall.



High wind area installation instructions

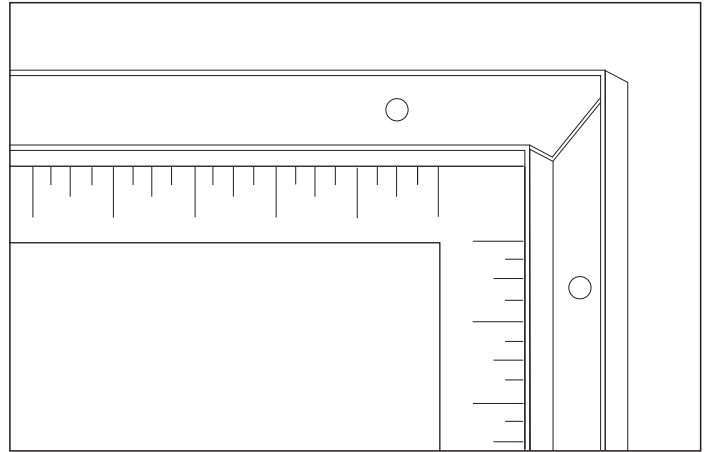
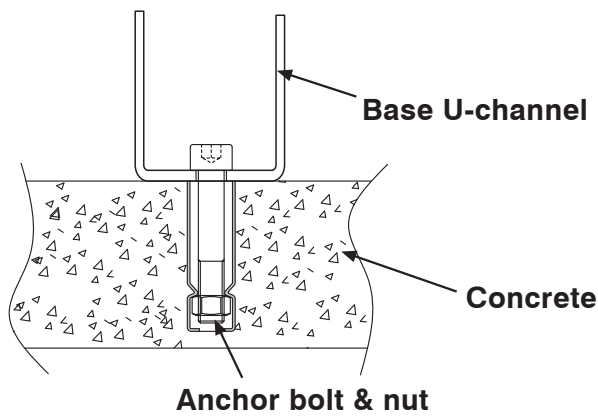
Note: To ensure that your shed withstands high winds, you will need the following reinforcement.

Parts needed:

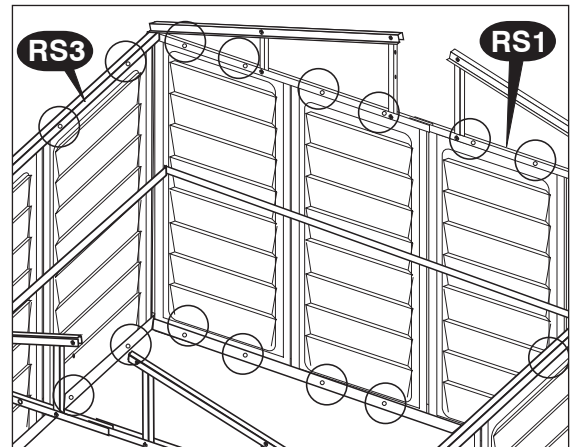
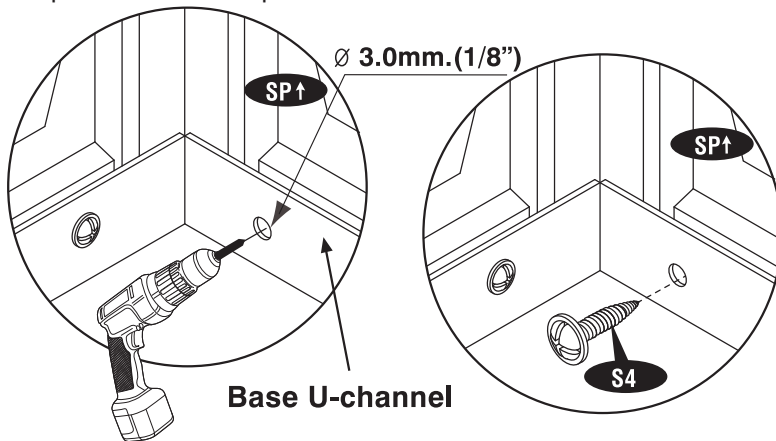
CODE	DESCRIPTION	QTY
S4	DIA. 4.2 x 16mm. (5/32" x 5/8") SHEET METAL SCREW	68 (not included with shed)
S5	M6 x 40mm. (1/4" x 1 1/2") Anchor bolt with nut	51 (not included with shed)

Assembly on concrete Foundation

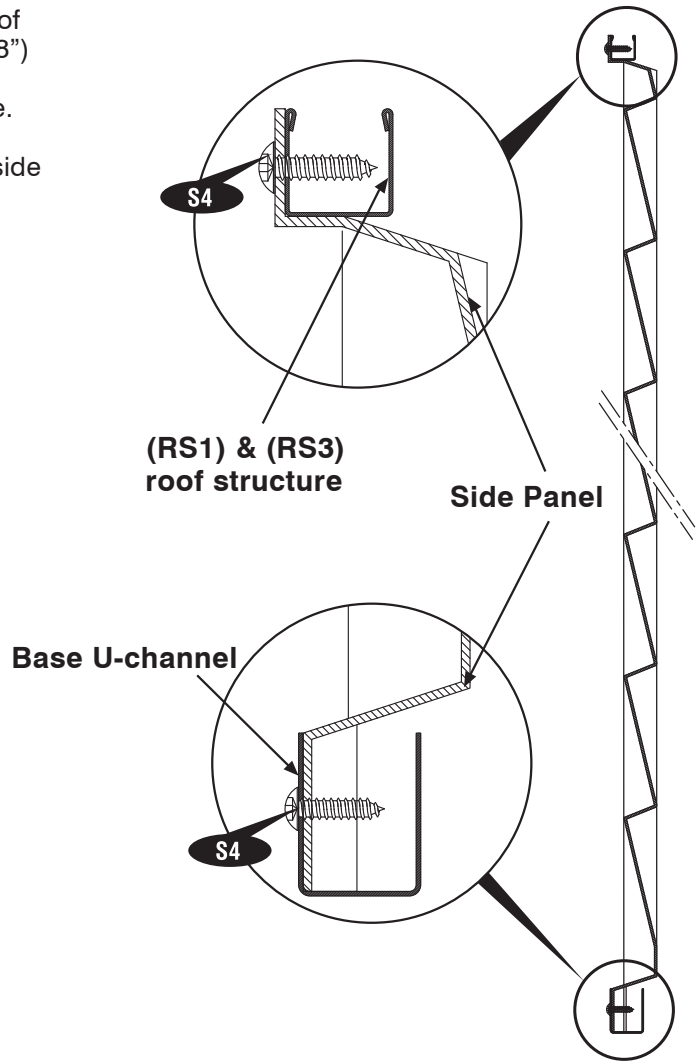
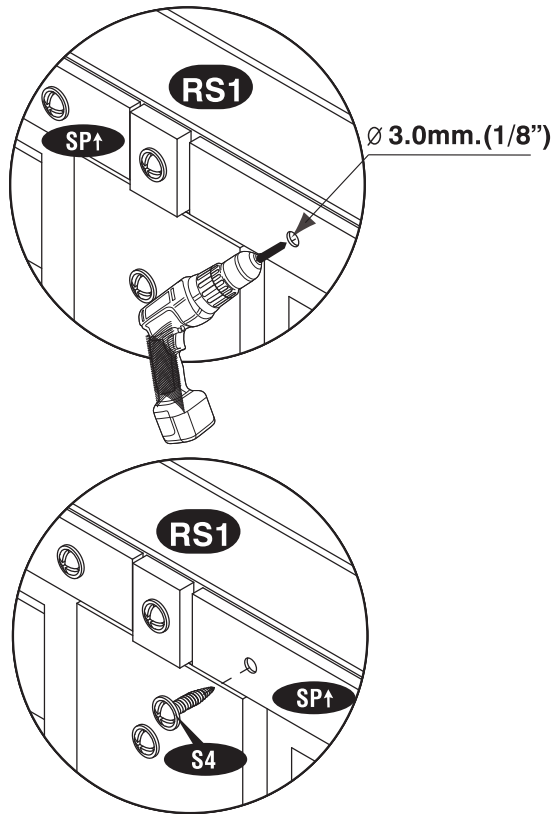
Using a carpenter square, line up corners. Align base bars, mark the concrete at the holes in the base and drill concrete with suitable concrete bit to accept 1/4" x 1 1/2" (M6 x 40mm) anchor bolts. (Qty - 45Nos. not provided).



2. Attach each side panel (SP↑) on the bottom to the U-channel base. Using a dia. 3mm (1/8") drill with a power drill, make two equal distance holes in the U-channel base through the side panel. Drive a self tapping screw (S4) through the base U-channel to the side panel. Repeat this for every side panel. See blowup.



3. Attach each side panel (**SP↑**) on top to the roof structure (**RS1**) and (**RS3**). Using a dia. 3mm (1/8") drill with a power drill, make two equal distance holes on the side panel through the roof structure. Drive a self tapping screw (**S4**) through the side panel to the roof structure. Repeat this for every side panel. See blowup.

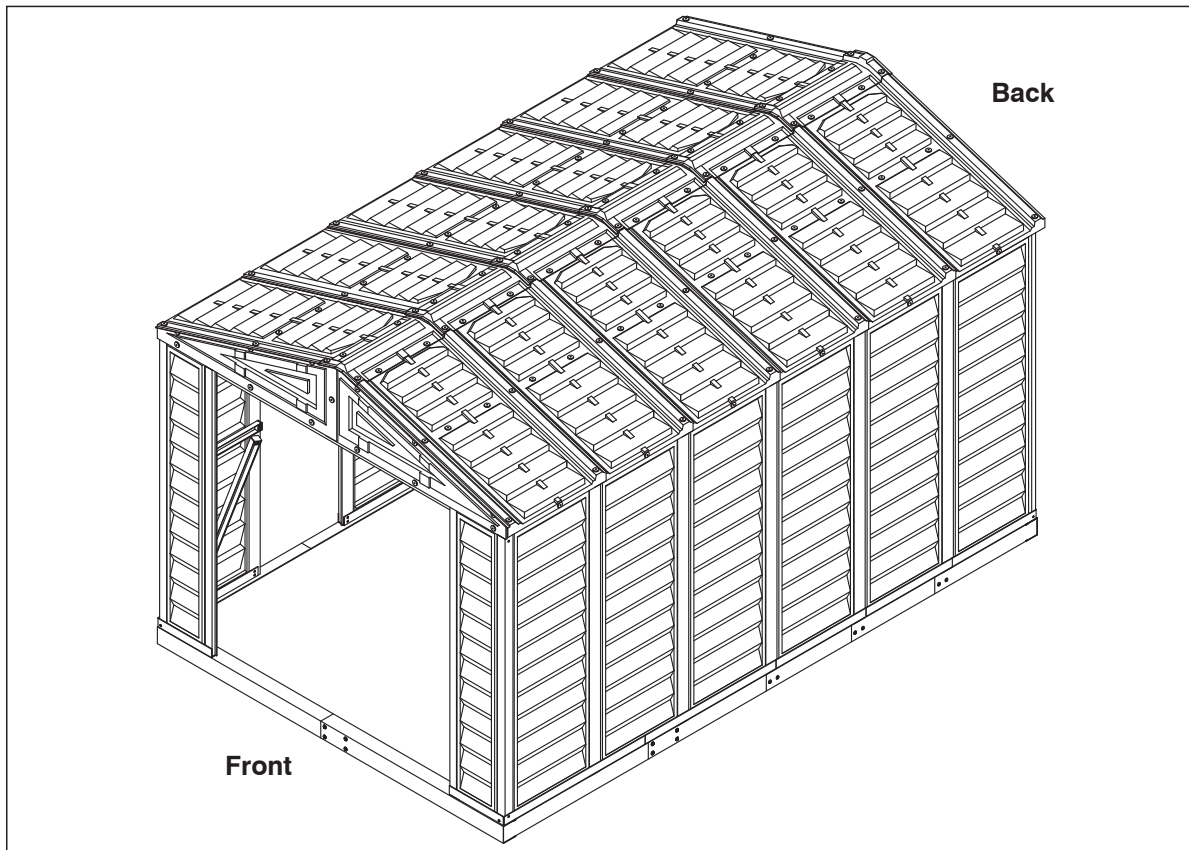


Important Warranty Information

The Duramax shed has been tested and passed wind loads of up to 115 mph in a controlled laboratory environment. Natural high wind areas create wind at unpredictable speeds that are very difficult to capture accurately by location. As such we cannot guarantee the performance of the shed in these extreme situations.

“We recommend to clear snow from the Roof top after each Snowfall.”

PART 2 : Adding Extension Kit to Existing Shed

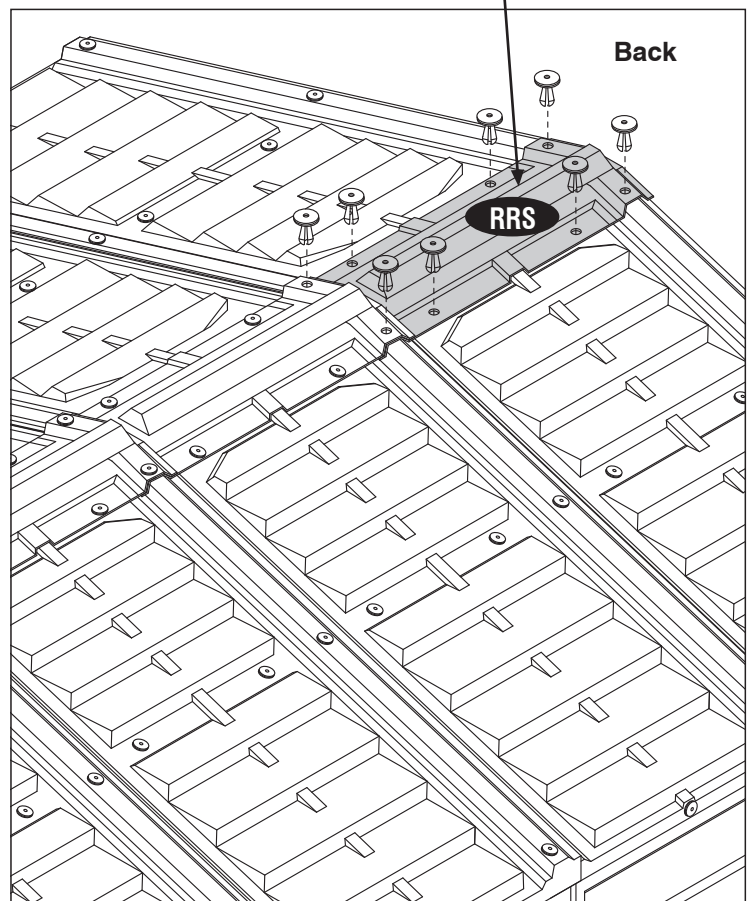


1. Remove one **ridge cover (RRS)** from the back side . See the figure.

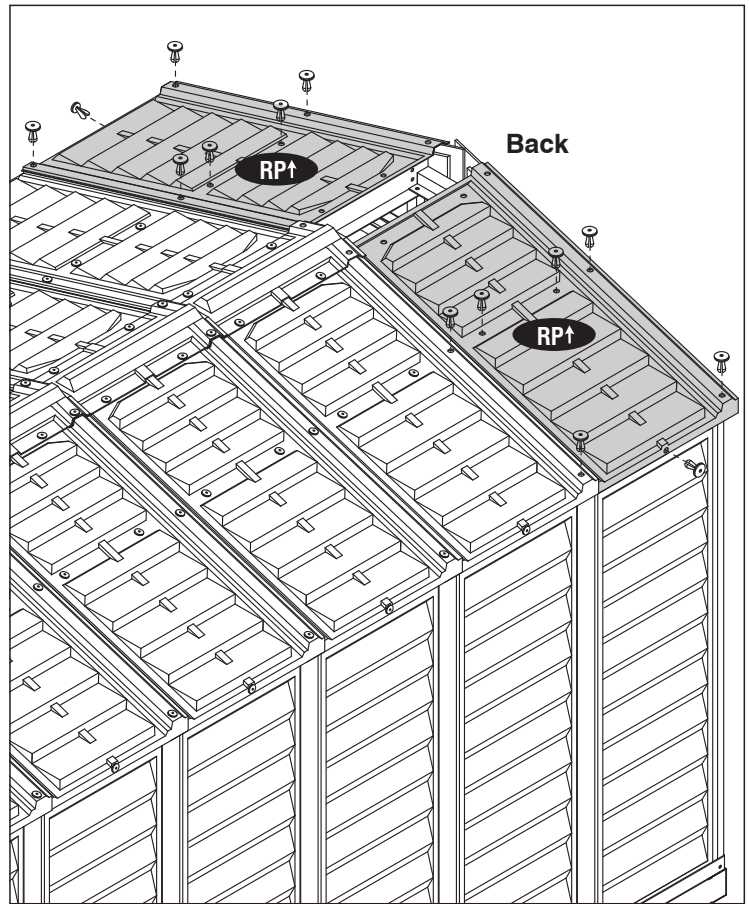


Use a drilling machine to remove the pins and plugs from the ridge cover, roof panel and fascia panel. Care should be taken not to damage the panels. Extra pins, plugs and washers are available in the accessory box.

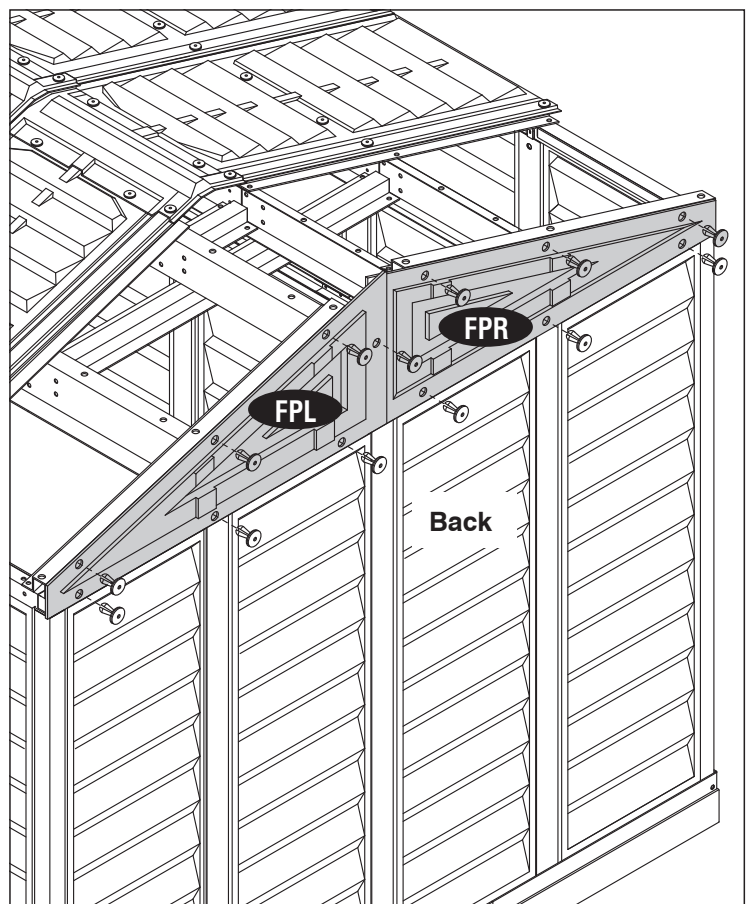
Remove this Ridge cover.



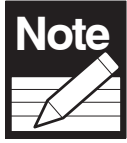
2. Remove from back side left and right roof panel (RP↑). See the figure.



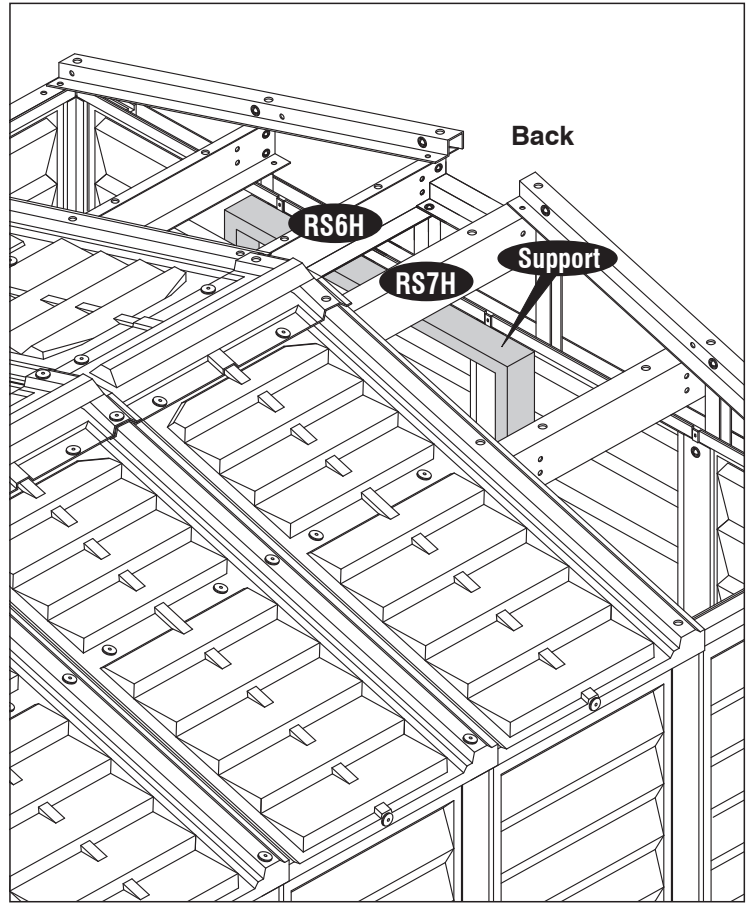
3. Remove from back side left and right Facia Panel (FPL) & (FPR). See the figure.



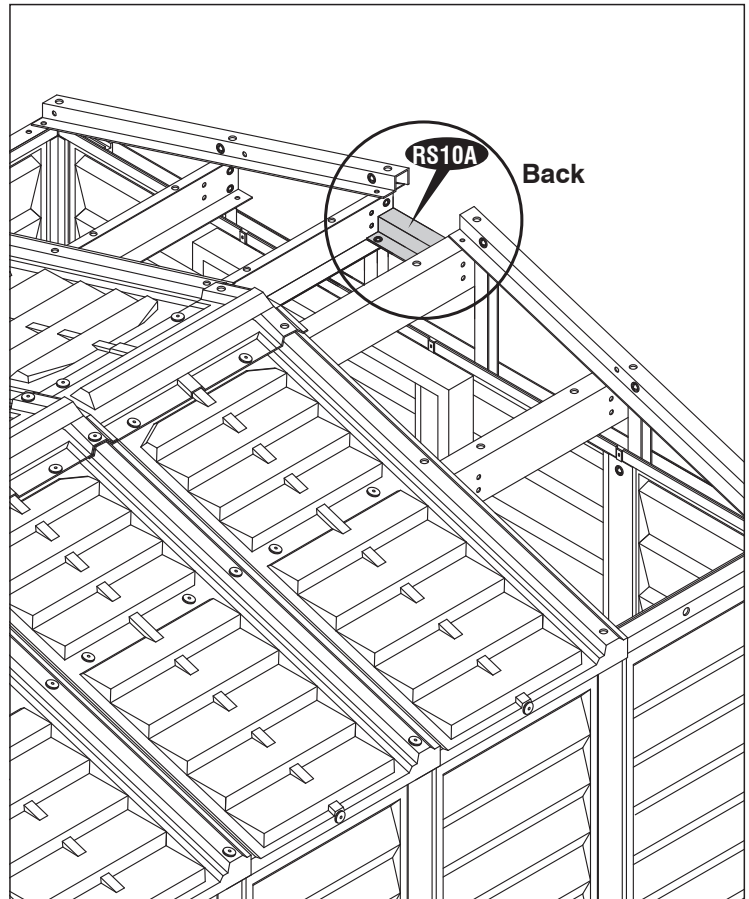
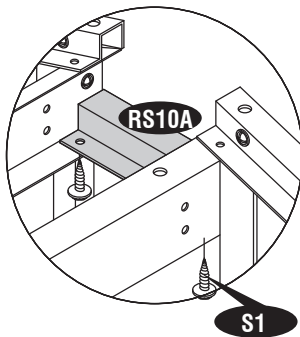
4. Support the **roof structure (RS6H) & (RS7H)** by using an appropriate support to avoid the roof structure from collapsing.



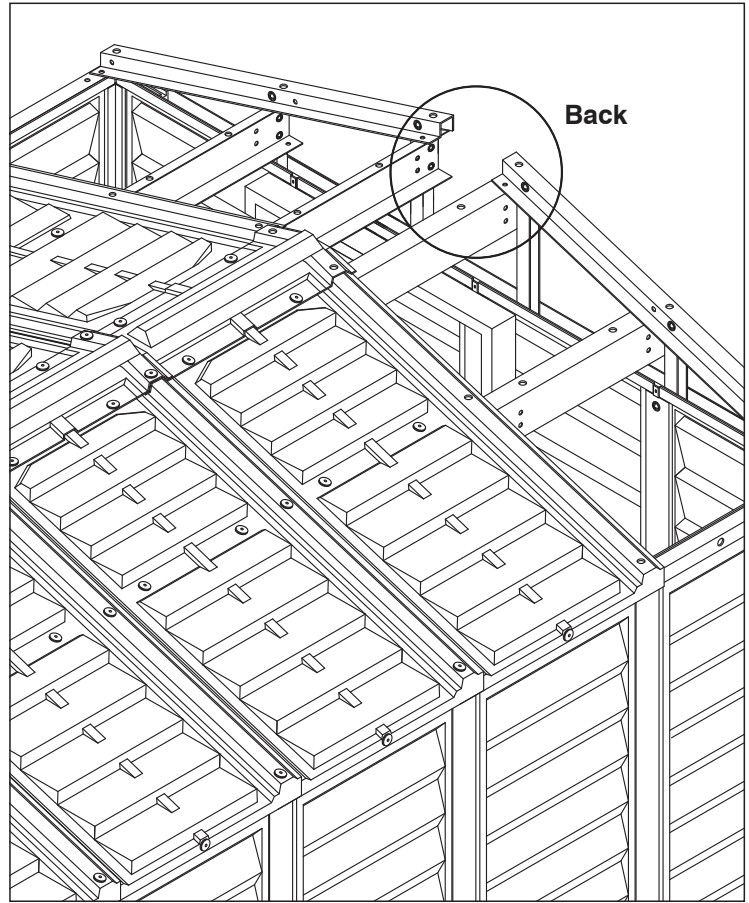
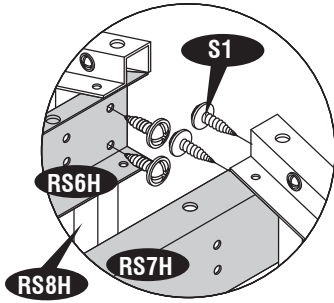
Support not included.



5. Remove from back side **(RS10A)** Roof Structure Support.



6. Remove (RS6H) & (RS7H) from (RS8H).



7. Remove (RS6H) & (RS7H) from (RS9H).
See fig. 1.
Remove (RS13A) from (RS6H) & (RS7H).
See fig. 2

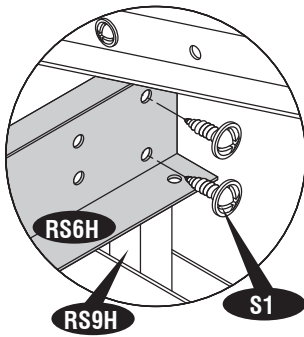


Fig.1

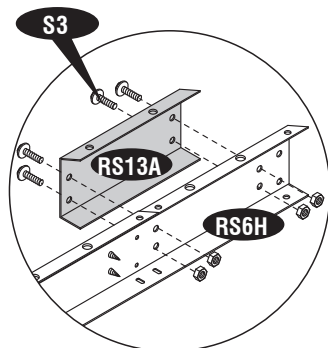
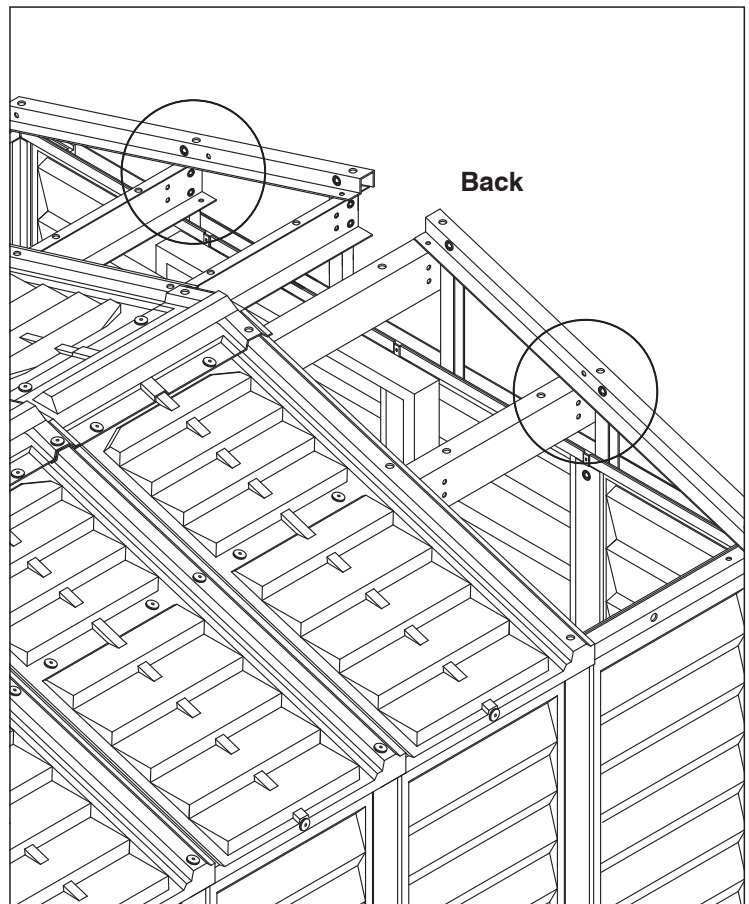


Fig.2



8. Detach roof structure (RS2A) from (RS3) from both corner. see fig.1.

Detach 90-degree joint (RJ) from corner column fitting (FCC) from both corner. See fig.2.

Detach (RS3XA) from 90 degree joint (RJ) from both corner. See fig.3.

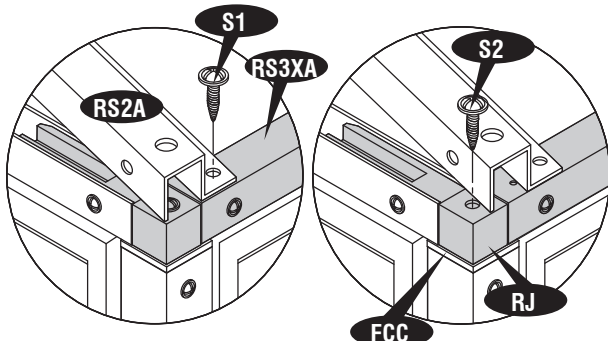


Fig.1

Fig.2

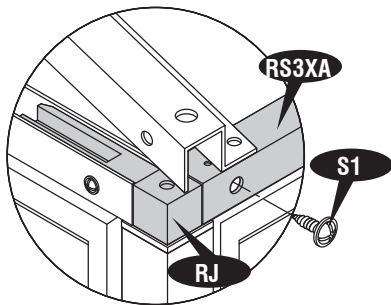
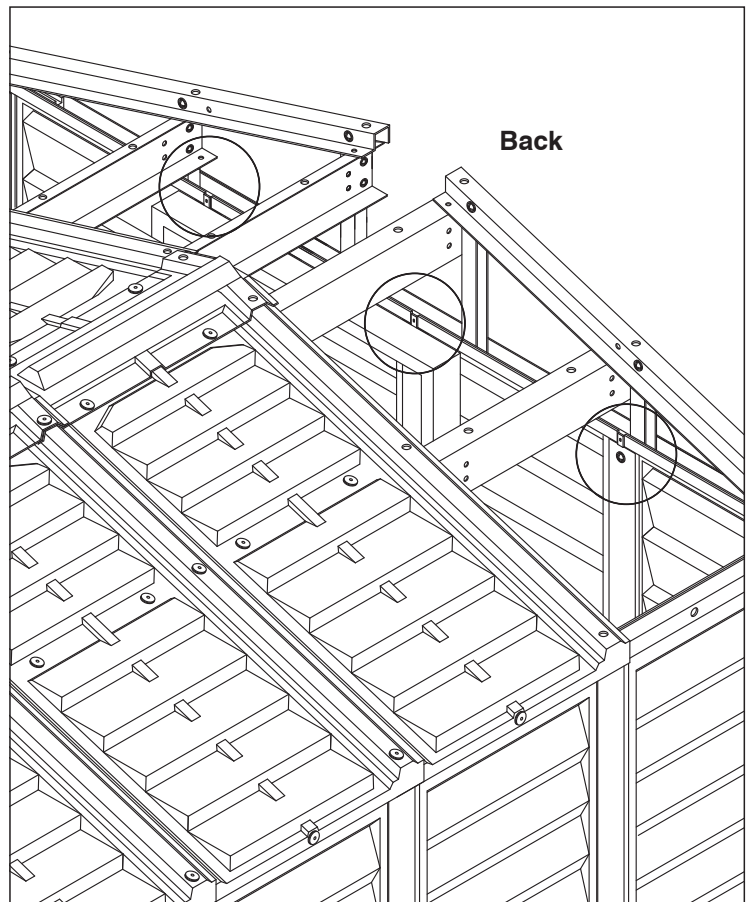
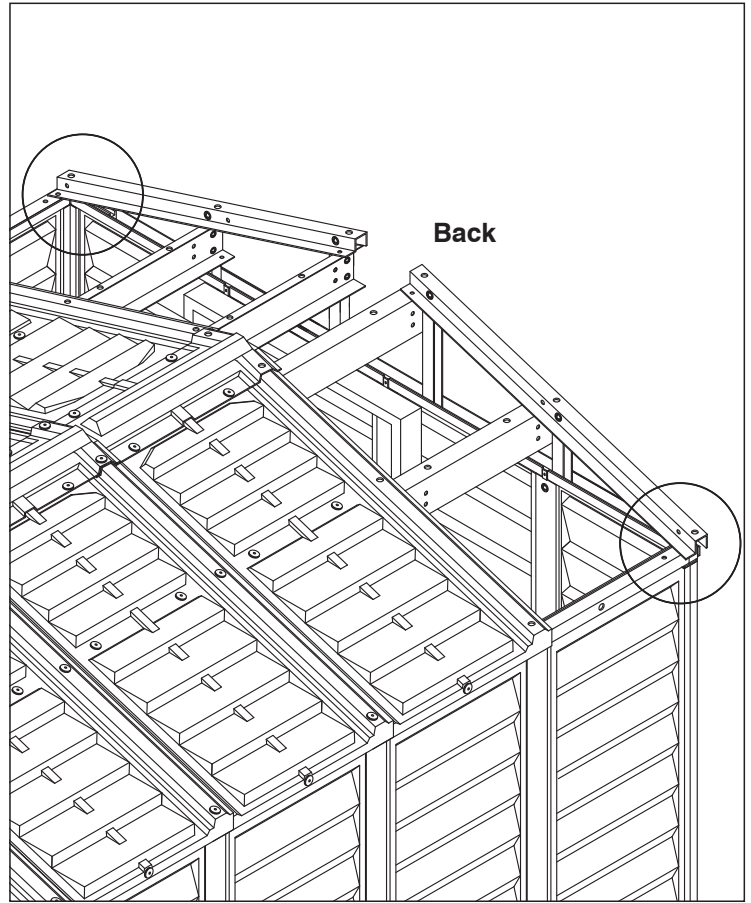
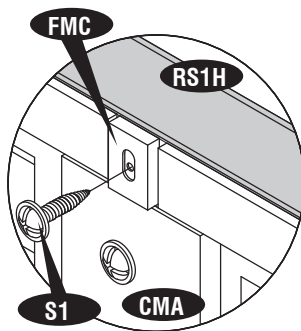
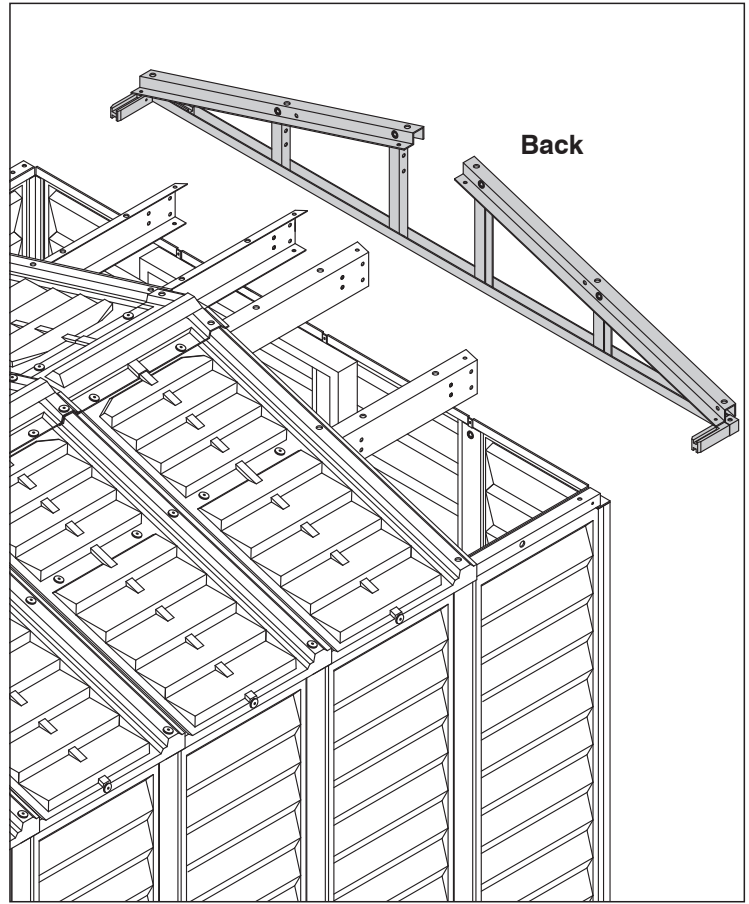


Fig.3

9. Detach the middle column fitting (FMC) from roof structure assembly (RS1H).



10. Pull the back roof structure assembly. See fig.



11. Remove the roof structure support (RS12A) from (RS6H) & (RS7H). See fig.1. Remove (RS11A) from (RS6H) & (RS7H). See fig.2.

Note After complete the extension assembly of (RS6H) & (RS7H), fix again (RS11A) & (RS12A) at the same position.

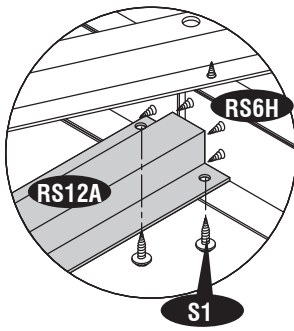


Fig.1

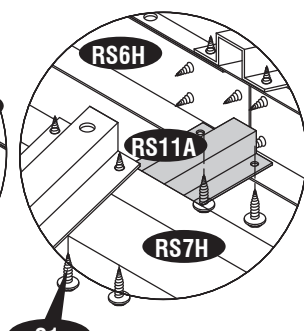
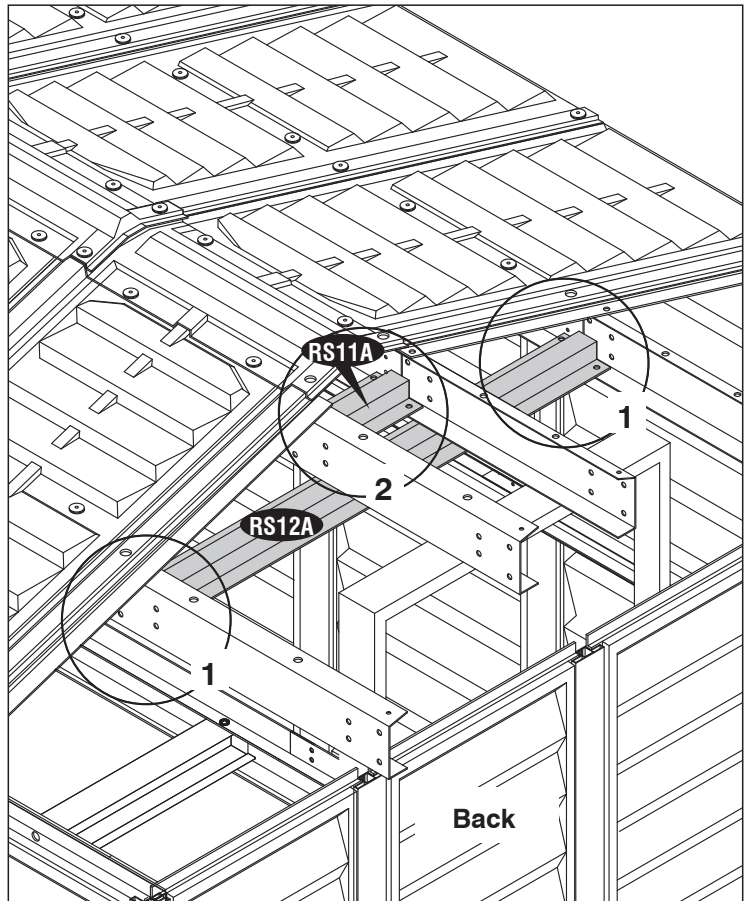
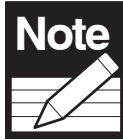


Fig.2



12. Detach (RS4XA) from (RS6H) & (RS7H) assembly.



Note After complete the extension assembly of (RS6H) & (RS7H), fix again (RS4XA) at the same position.

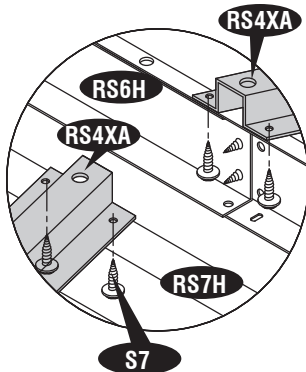


Fig.1

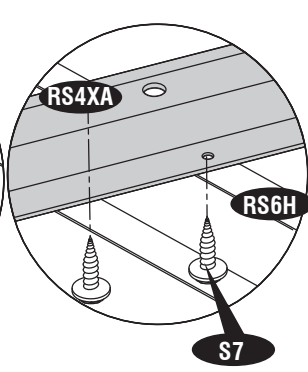
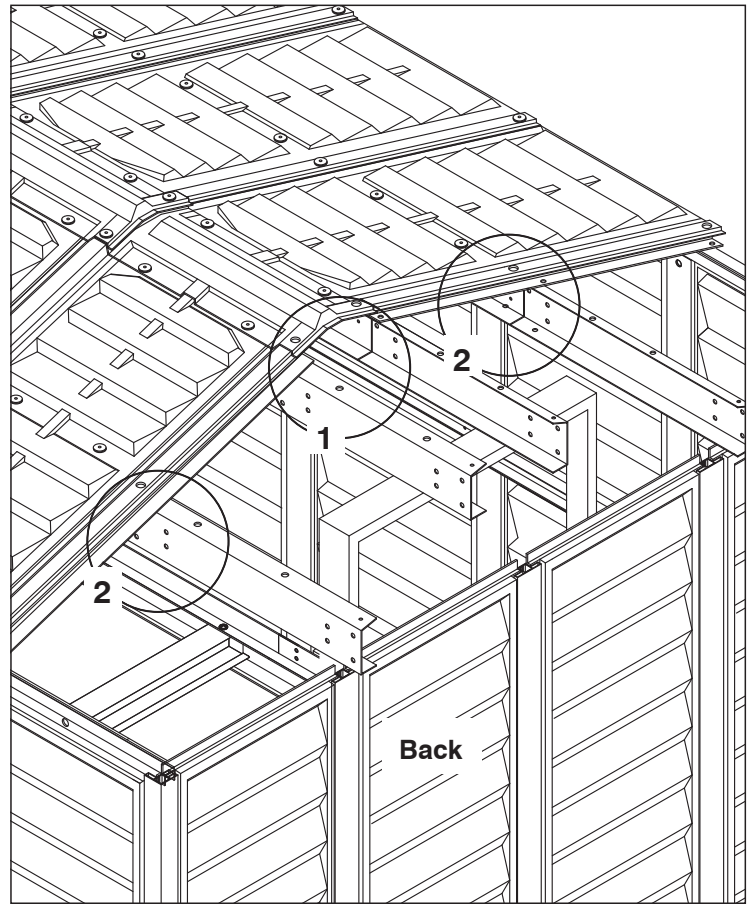


Fig.2



13. Remove the center band assembly from the back wall of the shed. Follow the figures.

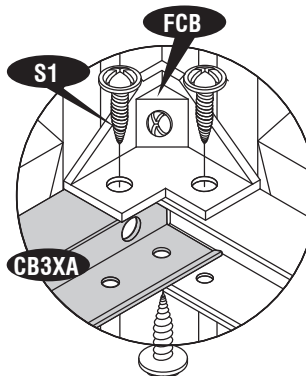


Fig.1

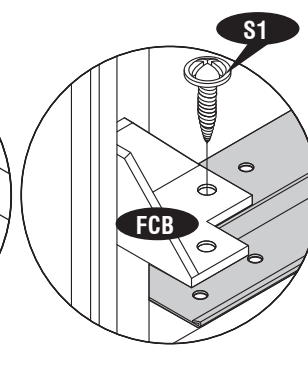


Fig.2

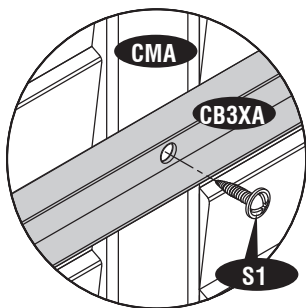


Fig.3

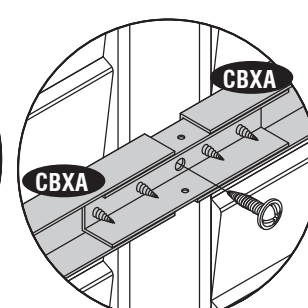
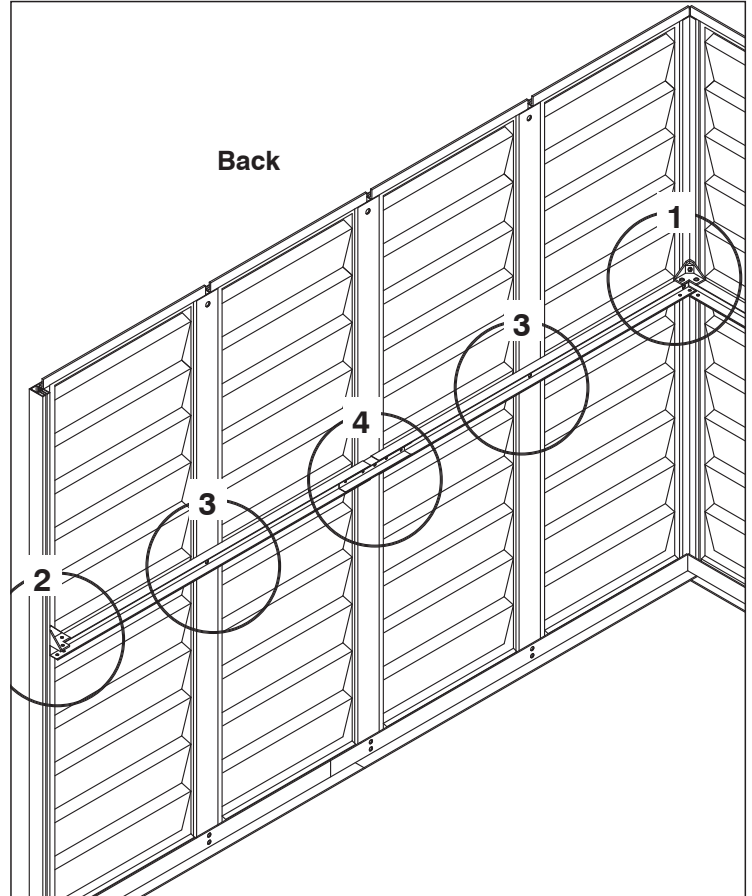


Fig.4



14. Remove the Corner column (**CCA**), Middle column (**CMA**) & Side panels from back side of the shed.

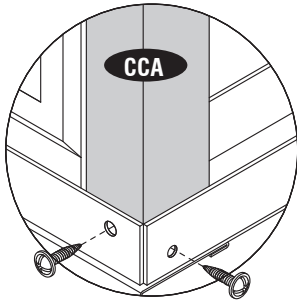


Fig.1

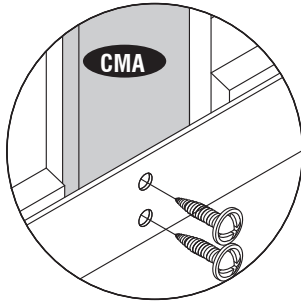
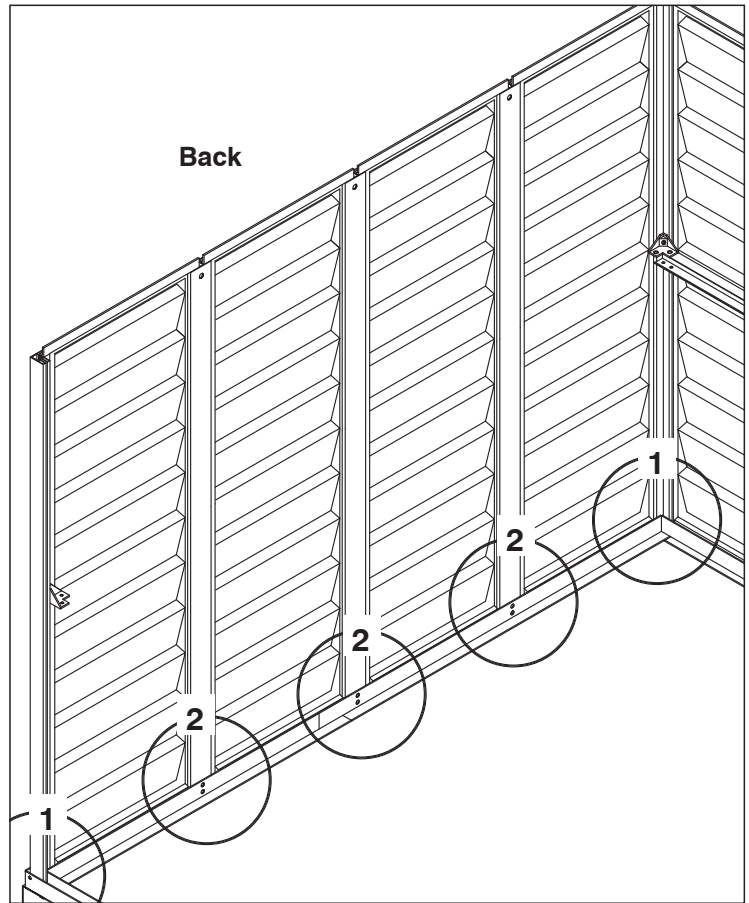
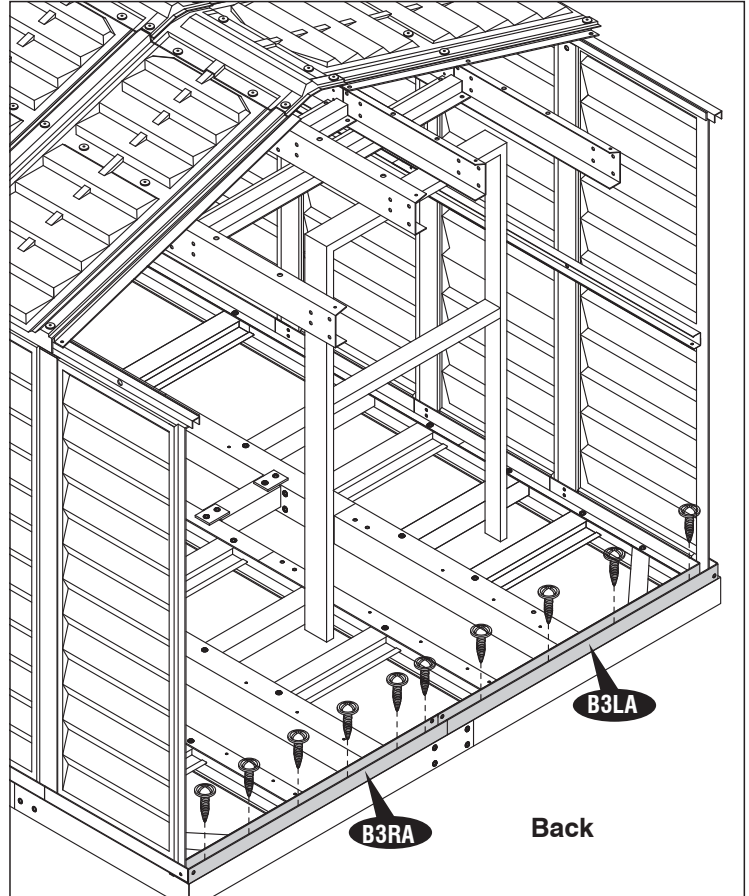


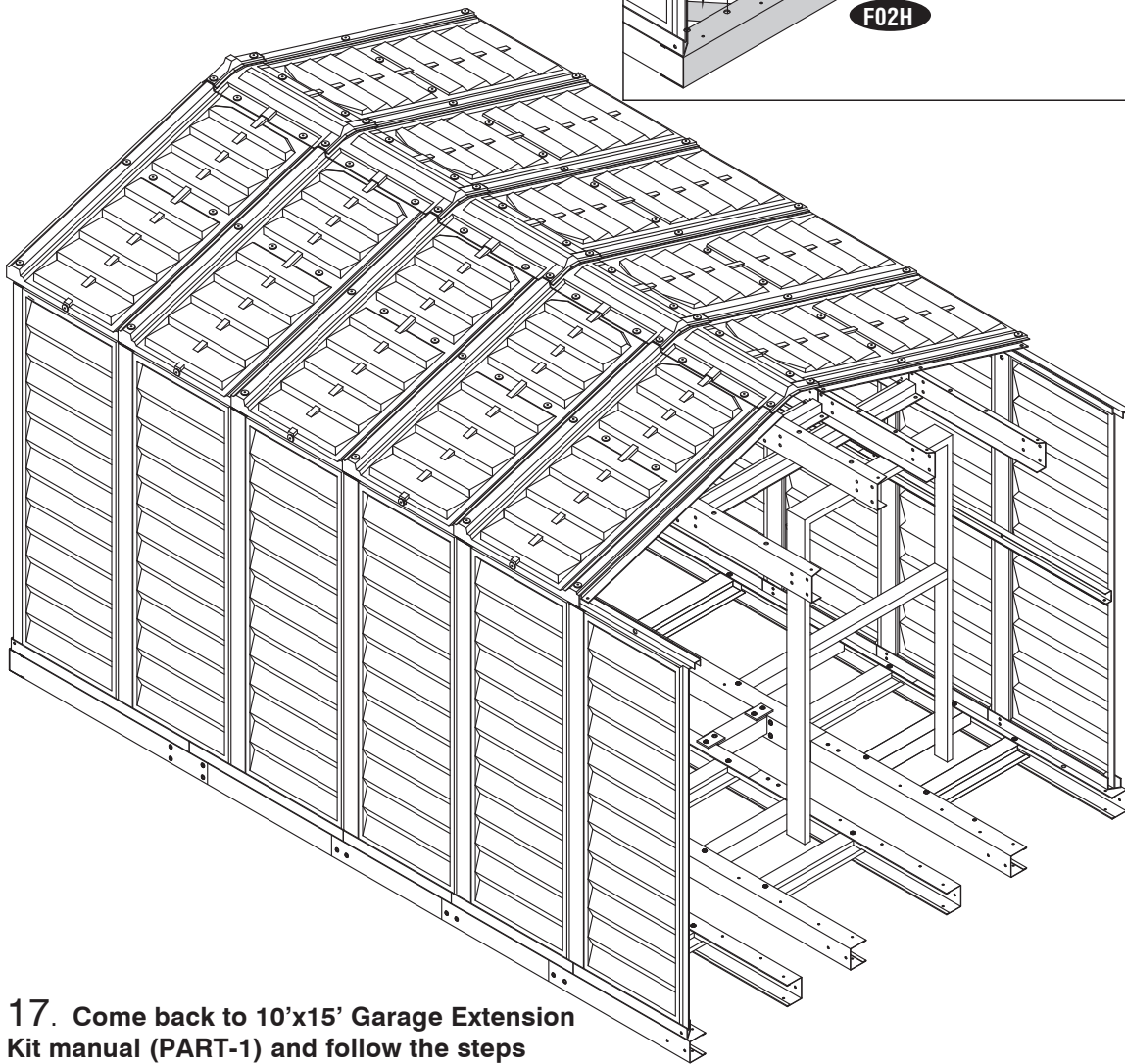
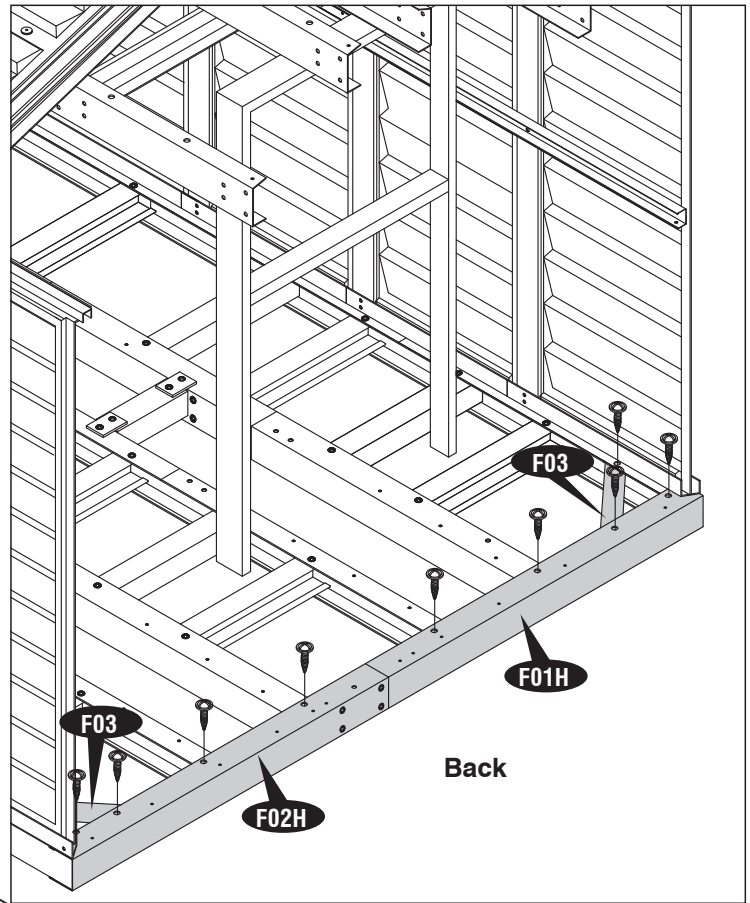
Fig.2



15. Remove the Base 'U' channel (**B3LA**) & (**B3RA**) from the foundation.



16. Remove (F01H), (F02H) & (F03) assembly from back side.



17. Come back to 10'x15' Garage Extension Kit manual (PART-1) and follow the steps accordingly.



U.S. Polymers, Inc.
1057 S. Vail Ave
Montebello, CA 90640,
United States of America