

Vinyl Garage

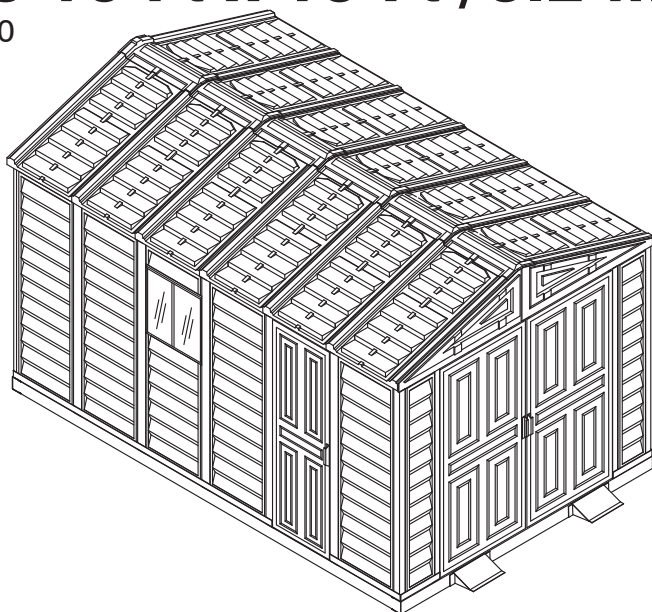
OWNER'S MANUAL / Instructions for Assembly Size 10 Ft x 15 Ft /3.2 m x 4.5 m

Patent #416.091



ISO 9001:2008

Ver: 3.0



**Customer
Service Hotline
(800) 483-4674
www.duramaxbp.com**

Your Total Solution To maintenance Free Garages.

- All Weather Durable PVC
- Won't Dent, Rust, Rot or Mildew
- Tall Walk In Shed
- Never Needs Painting
- 89" Wide Double Doors
- Easy Assembly
- High Wind Tested
- Snow Load Tested 20lbs/sq. foot
- Pad Lock Ready (Lock not included)

Available Kits

- Window Kits Available

Call us for any missing or damaged parts.
Do not return to the store.

| Building Dimensions : | | | | | | | | | | | |
|-----------------------|------------|-----------|--------------------|---------|-------------------|---------|--------------------|---------|--------------|--------|-------|
| Approximate Size | Storage | | Exterior Dimension | | | | Interior Dimension | | Door Opening | | |
| | Area | Volume | Base Dimension | | Roof Edge to Edge | | Wall to Wall | | | | |
| | | | inch | cm | inch | cm | inch | cm | inch | cm | |
| 10 Ft x 15 Ft | 158 Sq. Ft | 967 Cu.Ft | Width | 125 3/8 | 318.4 | 125 1/2 | 318.7 | 123 3/8 | 313.3 | 88 1/4 | 224.3 |
| 3.2 m x 4.5 m | 14.7 Sq.m | 27.4 Cu.m | Depth | 187 5/7 | 476.8 | 188 5/8 | 479.1 | 185 5/7 | 471.8 | | |
| | | | Height | | | 85 1/2 | 217.1 | 73 | 185.5 | 71 1/2 | 181.6 |

Duramax Garages Limited Ten Year Warranty

U.S. Polymer Inc. will send a replacement part free of charge, in the event of material defects and or workmanship for a period of ten years from the date of purchase.

This warranty is extended only to the original purchaser. A purchase receipt or other proof of date of original purchase will be required before warranty service is rendered. In no event shall we pay the cost of flooring, labor, installation or any other costs related thereto.

This warranty only covers failures due to defects in material or workmanship which occurs during normal use and does not extend to color change arising due to normal weathering or to damage resulting from misuse or neglect, commercial use, failure to follow assembly instructions and the owner's manual (including proper anchoring of the shed), painting, forces of nature and other causes which is beyond our control.

Claims under this warranty must be made within the warranty period by calling 1-800-483-4674 or mail in a dated sales slip and clear photograph of the part to:

U.S. Polymers, Inc.
1057 S. Vail Ave,
Montebello, CA 90640.

We reserve the right to discontinue or change components. If a component has been discontinued or is not available, U.S. Polymers, Inc. reserves the right to substitute a component of equal quality as may be compatible.

Limits and Exclusions

There are no express warranties except as listed above. The warrantor shall not be liable for incidental or consequential damages resulting from the use of this product, or arising out of any breach of this warranty. All express warranties are limited to the warranty period set forth above. Some states do not allow the exclusion or limitation on how long an implied warranty lasts, so the above limitations may not apply to you.

This warranty gives you specific legal rights and you may also have other rights which vary from state to state or country to country.

SAFETY & PRECAUTIONS

Before You Begin...

1. Check your local building codes regarding footings, location, etc.
2. Select a site that allows enough working space around the shed.
3. Determine building foundation and anchor system.
4. Read and understand the Owner's manual enclosed in the package.
5. Follow all directions and dimensions thoroughly.
6. Follow the steps given in the manual carefully for correct assembly.
7. Make sure all parts are present before you start assembling.

8. BE SAFE : Follow safety instructions and avoid injury.
(See inside page).



9. GROUND MUST BE EVEN : Make sure the foundation frame lies flat on the ground. If the earth bed is uneven, remove sod and other debris and level it with a flat shovel.

10. Separate contents of the carton by the part number and review the list.
Be sure you have all the necessary parts for your shed.
Refer Owner's manual for part list.

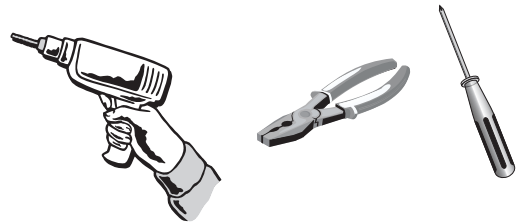
SAFETY & PRECAUTIONS

For your own safety, please read and follow these instructions during the shed assembly.

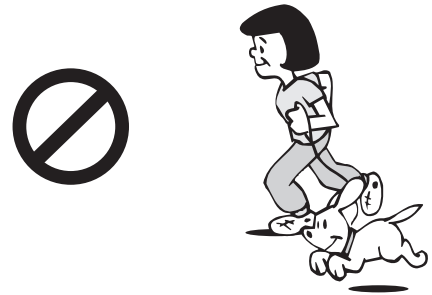
1. Always wear work gloves, long sleeves and eye protection during assembly of the shed. Some pieces of the shed contain sharp edges and can cause injury.



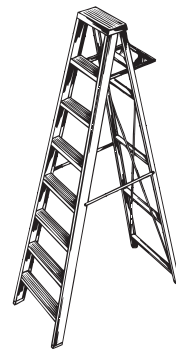
2. Be cautious with the tools used for the assembly of the shed. Familiarize yourself with the operation of all the power tools.



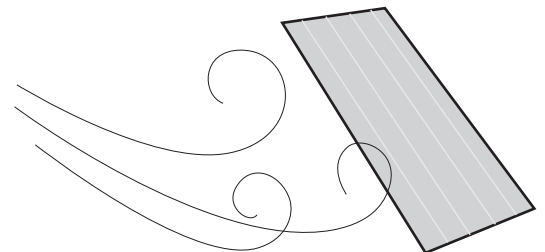
3. Children and pets should be kept away from the assembly site to avoid any distractions and accidents.






4. When using a step ladder, make sure it is on even ground and fully open with the safety latch in place. Never concentrate your full

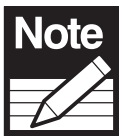


5. Do not attempt to assemble the shed on a windy day. Shed panels can be whipped across by the wind making the worksite difficult and dangerous.




IMPORTANT

-  Wear eye protection when using any form of power tools. Do not use voltage power tools in a wet or damp environment to avoid electric shock.
-  Do not use any part of the shed as a means of personal support while attaching components during assembly.
-  **The shed must be constructed on a solid base foundation.** A concrete pad or a large size concrete patio stone squares is recommended for suitable floor base. Make sure it is firm and level and will allow drainage away from the site. The base foundation should be at least 4 inches (100mm) larger than the shed dimensions. Please refer to the front page of your owner's manual for the exterior dimensions of the shed. **Manufacturer is not responsible for the choice and construction of the foundation.**



For a concrete pad base, prepare a level bed for a firm footing layer of crushed stone. The concrete pad should then be poured to a thickness of 4 inches (100mm) to 5 inches (125mm). Allow to dry thoroughly for at least 48 hours

-  Your shed must be firmly anchored to the concrete pad or large concrete patio stone squares, to help protect against damage in high winds.

Care & Maintenance

Although this unit does not require any maintenance, care should be taken to prolong the life of your shed.

ROOF : Keep roof clean of leaves and snow with long handled, soft bristled broom. Heavy amounts of snow on the roof can damage the shed making it unsafe. **Do not step on the roof.**

WALLS : Do not rest any object against the wall panels of the shed.

DOORS : Keep doors closed to prevent wind damage.

FASTENERS : Regularly check your shed for loose screws, bolts, nuts, etc. And retighten them as necessary.

MOISTURE : With changing temperatures, condensation will accumulate inside the shed. Good ventilation will help in regulating and avoid moisture.

TIP : A noncorrosive caulking is helpful to seal the shed.



**DO NOT store swimming pool chemicals in your building.
Combustibles and corrosive must be stored in
air tight containers**



Parts List



Note: Check all parts prior to installation.

| CODE | DESCRIPTION | QTY |
|-------|-----------------------------------|-----|
| B1LH | FRONT 'U' CHANNEL LEFT | 1 |
| B1RH | FRONT 'U' CHANNEL RIGHT | 1 |
| B1LA | FRONT 'U' CHANNEL LEFT | 1 |
| B1RA | FRONT 'U' CHANNEL RIGHT | 1 |
| B21 | SIDE 'U' CHANNEL | 1 |
| B22 | SIDE 'U' CHANNEL | 1 |
| B3LA | BACK 'U' CHANNEL LEFT | 1 |
| B3RA | BACK 'U' CHANNEL RIGHT | 1 |
| EXTL | EXTENSION 'U' CHANNEL LEFT | 3 |
| EXTR | EXTENSION 'U' CHANNEL RIGHT | 3 |
| CMA | MIDDLE COLUMN | 8 |
| CMH | MIDDLE COLUMN | 3 |
| CCA | CORNER COLUMN | 4 |
| CDLA | LEFT DOOR COLUMN | 1 |
| CDLH | LEFT DOOR COLUMN | 1 |
| CDRA | RIGHT DOOR COLUMN | 1 |
| CDRH | RIGHT DOOR COLUMN | 1 |
| CB1A | CB1 CENTER BAND | 1 |
| CB1H | CB1 CENTER BAND | 2 |
| CB3A | CB3 CENTER BAND | 1 |
| CB3XA | CB3 CENTER BAND | 5 |
| CB4A | CB4 CENTER BAND | 1 |
| CB4H | CB4 CENTER BAND | 2 |
| CB6H | CB6 CENTER BAND | 1 |
| RS1H | RS1 ROOF STRUCTURE | 4 |
| RS2A | RS2 ROOF STRUCTURE | 4 |
| RS3LA | RS3 ROOF STRUCTURE LONG | 5 |
| RS3LH | RS3 ROOF STRUCTURE LONG | 1 |
| RS4XA | RS4 ROOF STRUCTURE | 10 |
| RS5A | RS5 ROOF STRUCTURE | 4 |
| RS6H | RS6 ROOF STRUCTURE | 8 |
| RS7H | RS7 ROOF STRUCTURE | 8 |
| RS13A | RS13 ROOF STRUCTURE | 8 |
| RS8H | RS8 ROOF STRUCTURE SUPP. LONG | 4 |
| RS9H | RS9 ROOF STRUCTURE SUPP. SHORT | 4 |
| MJ | MIDDLE JOINING SUPPORT | 9 |
| RS10A | RS10 ROOF STRUCTURE SUPPORT | 2 |
| RS11A | RS11 ROOF STRUCTURE SUPPORT SHORT | 5 |
| RS12A | RS12 ROOF STRUCTURE SUPPORT LONG | 3 |
| RS14A | SAGGING SUPPORT | 24 |
| DSHH | DOOR STOPPER HORIZONTAL | 1 |
| RS19H | VERTICAL SUPPORT - 1 | 4 |
| RS20H | VERTICAL SUPPORT - 2 | 4 |
| RS15L | RS15 ROOF STRUCTURE SUPPORT LEFT | 2 |
| RS15R | RS15 ROOF STRUCTURE SUPPORT RIGHT | 2 |

Tools You Will Need

- Cordless Drill - Philips Head
- Hammer or Rubber mallet
- Carpenters Square
- 8' Step Ladder
- Adjustable pliers
- Level - 3ft.
- Tape Measure
- Caulk Gun
- Waterproof Clear Silicon Sealant
- Hand Gloves

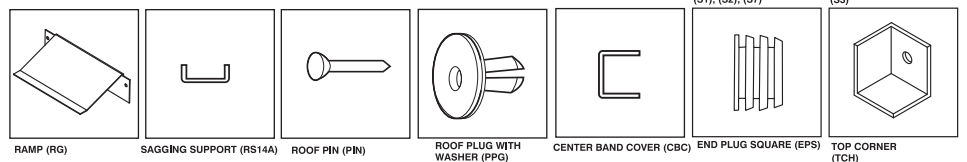
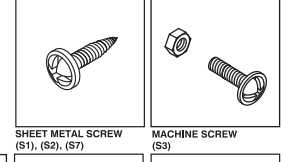
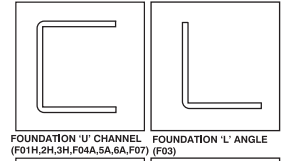
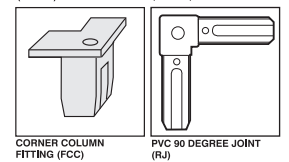
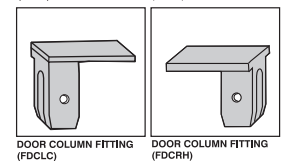
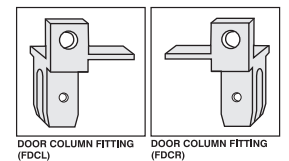
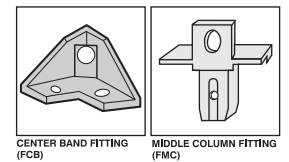
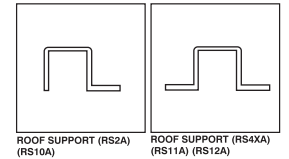
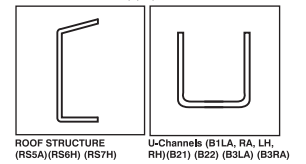
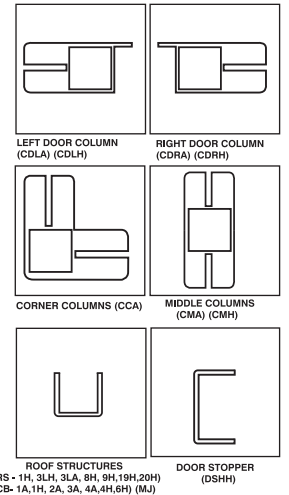
| CODE | DESCRIPTION |
|-------|--------------------|
| RS16L | DOOR STOPPER LEFT |
| RS16R | DOOR STOPPER RIGHT |
| RG | RAMP |
| SP▲ | SIDE PANEL |
| FSPH▲ | FRONT SIDE PANEL |
| FPL | FACIA PANEL LEFT |
| FPR | FACIA PANEL RIGHT |
| RP▲ | ROOF PANEL |
| RRS | RIDGE COVER |
| DL | LEFT DOOR |
| DR | RIGHT DOOR |
| DS | DOOR SMALL |

ACCESSORIES

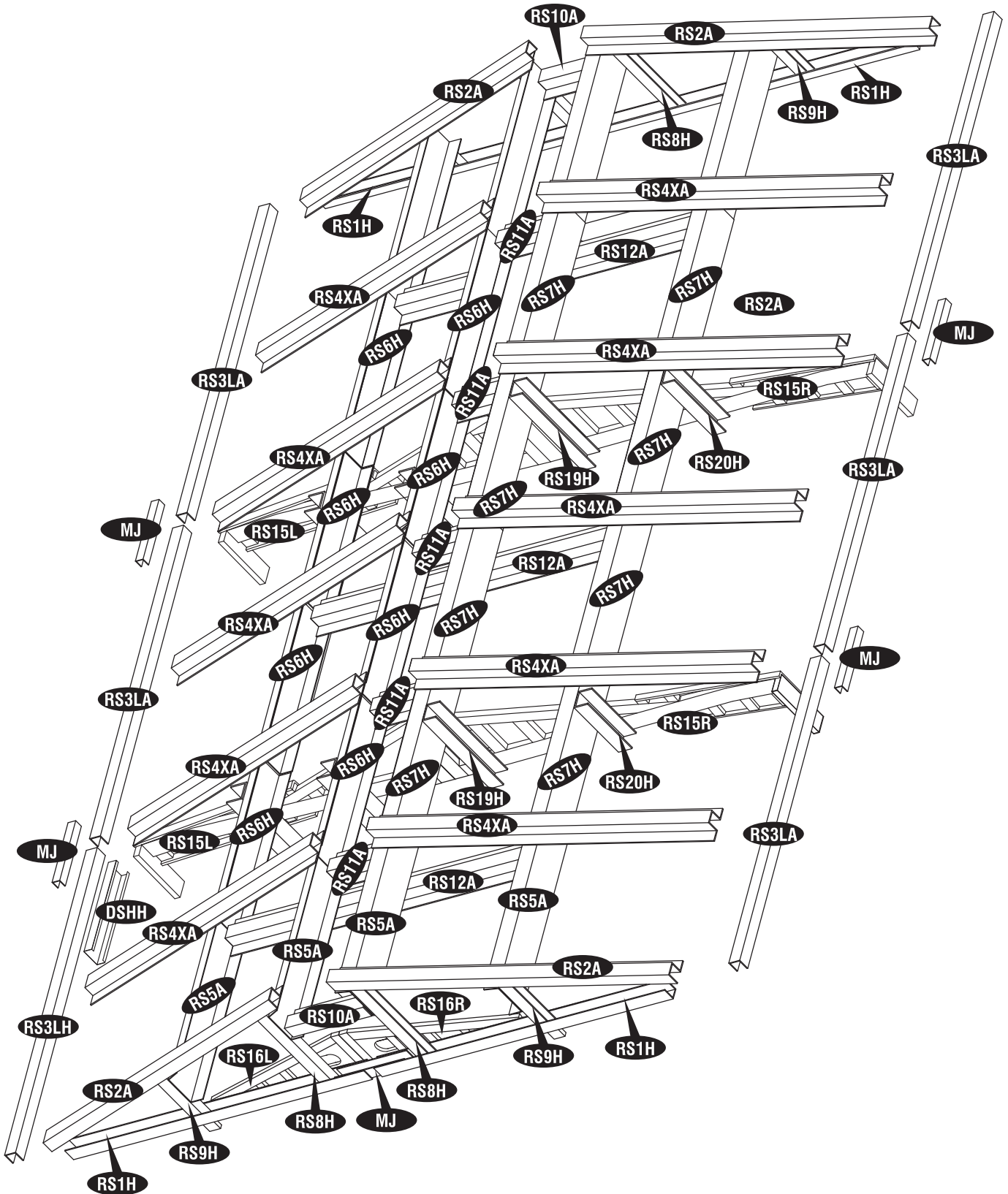
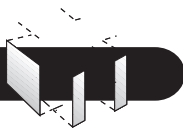
| CODE | DESCRIPTION | QTY |
|-------|--|-----|
| FDCL | DOOR COLUMN FITTING LEFT | 1 |
| FDCLC | DOOR COLUMN FITTING LEFT | 1 |
| FDCR | DOOR COLUMN FITTING RIGHT | 1 |
| FDCRH | DOOR COLUMN FITTING RIGHT | 1 |
| FCC | CORNER COLUMN FITTING | 4 |
| FMC | MIDDLE COLUMN FITTING | 11 |
| FCB | CENTER BAND FITTING | 4 |
| RJ | 90 DEGREE JOINT | 4 |
| PPG | ROOF PLUG WITH WASHER | 128 |
| PIN | ROOF PIN | 128 |
| EPS | END PLUG SQUARE | 7 |
| CBC | CENTER BAND COVER | 3 |
| TCH | TOP CORNER | 8 |
| S1 | DIA. 4.2 x 16mm. (5/32" x 5/8") SHEET METAL SCREW | 420 |
| S2 | DIA. 4.2 x 32mm. (5/32" x 1 1/4") SHEET METAL SCREW | 16 |
| S7 | DIA. 4.2 x 10mm. (5/32" x 3/8") SHEET METAL SCREW | 40 |
| S3 | M4 x 10mm. (M5/32" x 3/8") MACHINE SCREW WITH NUT | 33 |
| S8 | M6 x 20mm. (M1/4" x 3/4") HEX. BOLT & NUT WITH WASHER | 9 |

FOUNDATION

| CODE | DESCRIPTION | QTY |
|------|--|-----|
| F01H | FOUNDATION 'U' CHANNEL | 2 |
| F02H | FOUNDATION 'U' CHANNEL | 2 |
| F03 | FOUNDATION 'L' ANGLE | 4 |
| F04A | FOUNDATION 'U' CHANNEL | 6 |
| F05A | FOUNDATION 'U' CHANNEL | 6 |
| F06A | FOUNDATION 'U' CHANNEL | 21 |
| F07 | FOUNDATION 'U' CHANNEL | 18 |
| F03H | FOUNDATION 'U' CHANNEL | 4 |
| F08 | FOUNDATION 'U' CHANNEL JOINT | 8 |
| S1 | DIA. 4.2 x 16mm. (5/32" x 5/8") SHEET METAL SCREW | 150 |

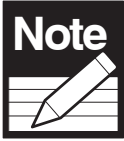


Roof Structure Exploded View



A. Foundation

Note: It is important that these instructions are followed step by step.

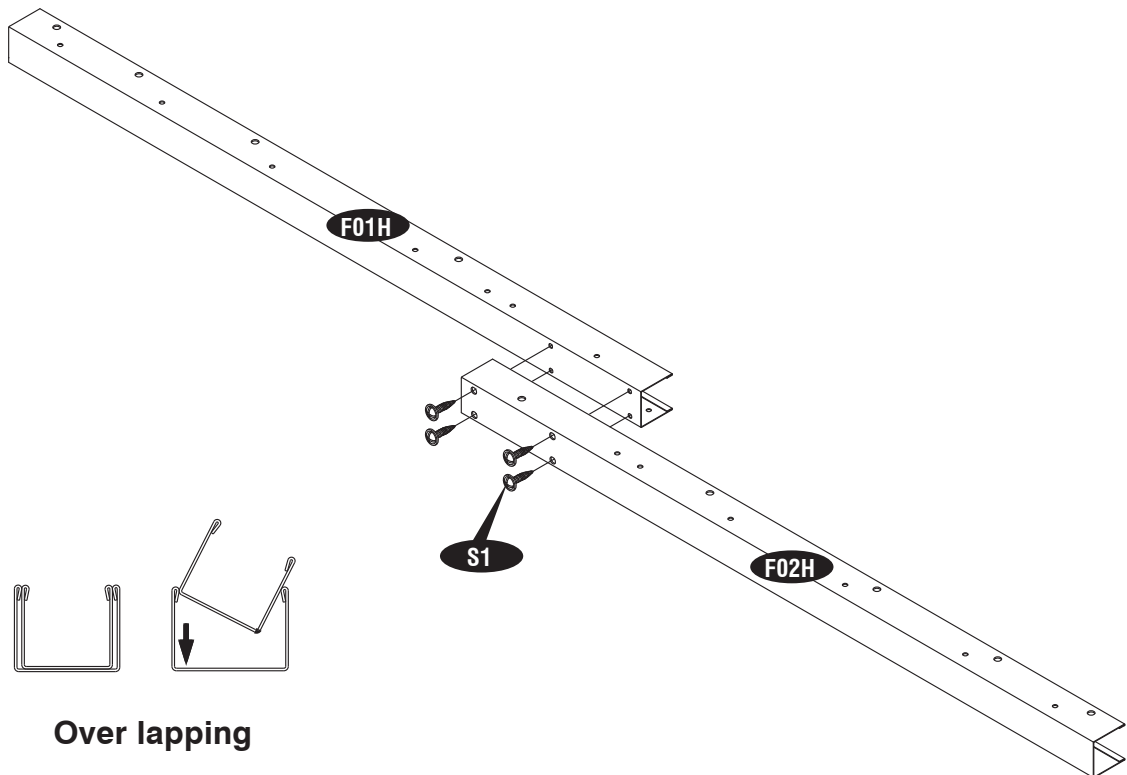


1. All parts are clearly marked and care should be taken to use the correct one.
2. Set the Torque limit of your Screw drill to #3 or #4 to ensure the screws do not strip the metal reinforcements.

Parts Needed:

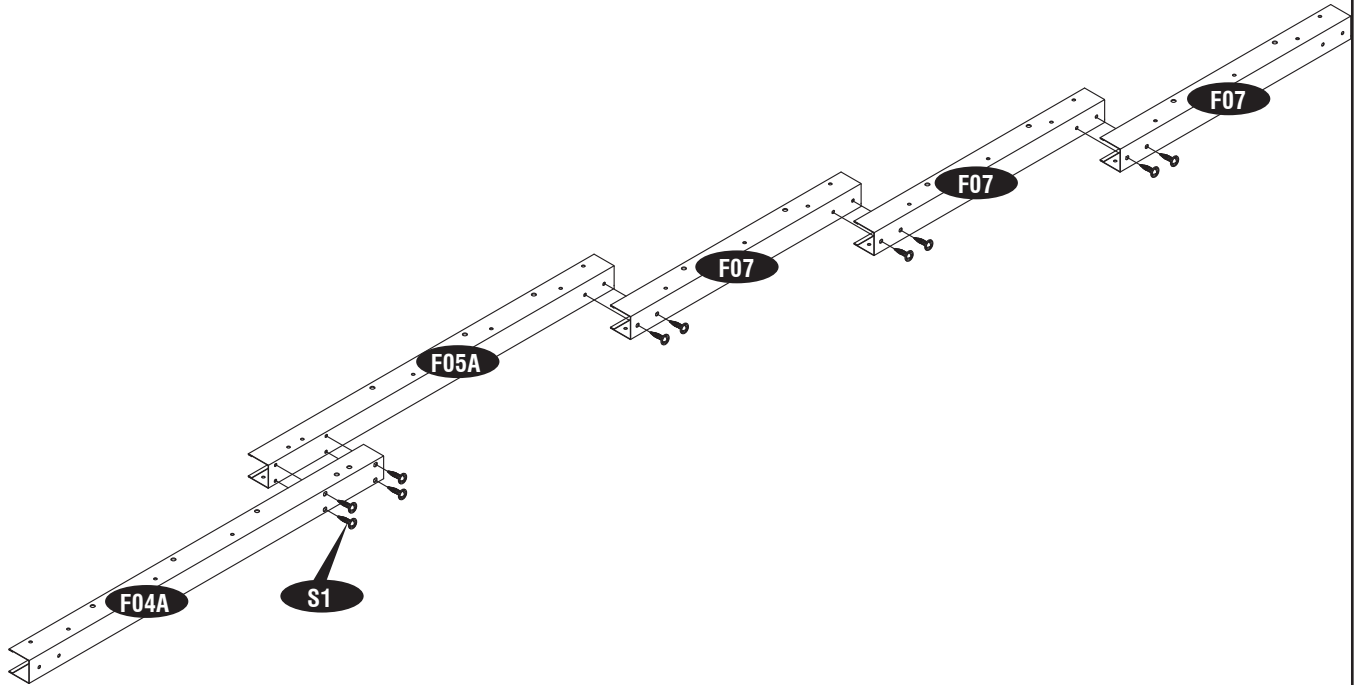
| <u>CODE</u> | <u>QTY</u> |
|-------------|------------|
| F01H | 2 |
| F02H | 2 |
| F03 | 4 |
| F04A | 6 |
| F05A | 6 |
| F06A | 21 |
| F07 | 18 |
| F03H | 4 |
| F08 | 8 |
| B1LH | 1 |
| B1RH | 1 |
| B1LA | 1 |
| B1RA | 1 |
| B21 | 1 |
| B22 | 1 |
| B3LA | 1 |
| B3RA | 1 |
| EXTL | 3 |
| EXTR | 3 |
| S1 | |

1

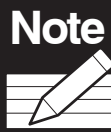


Over lapping

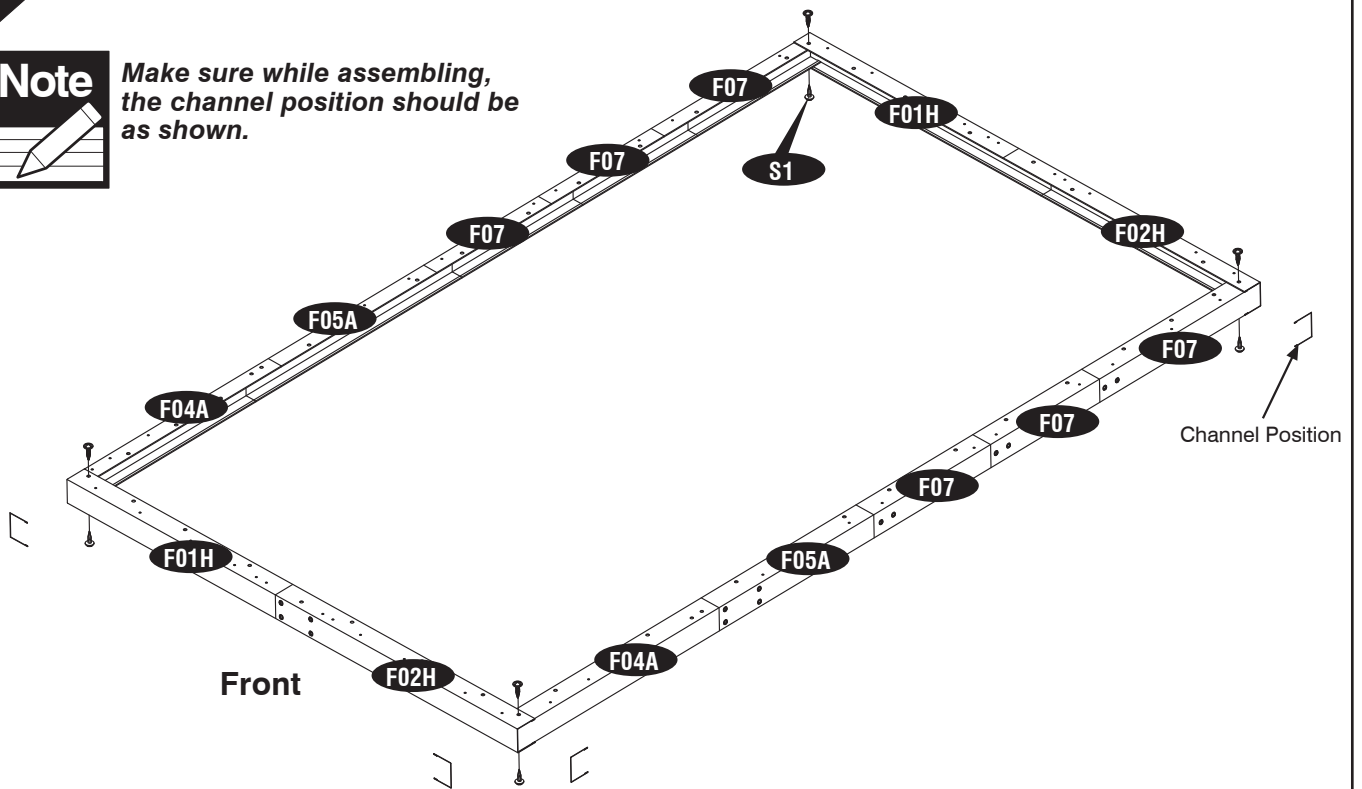
2



3

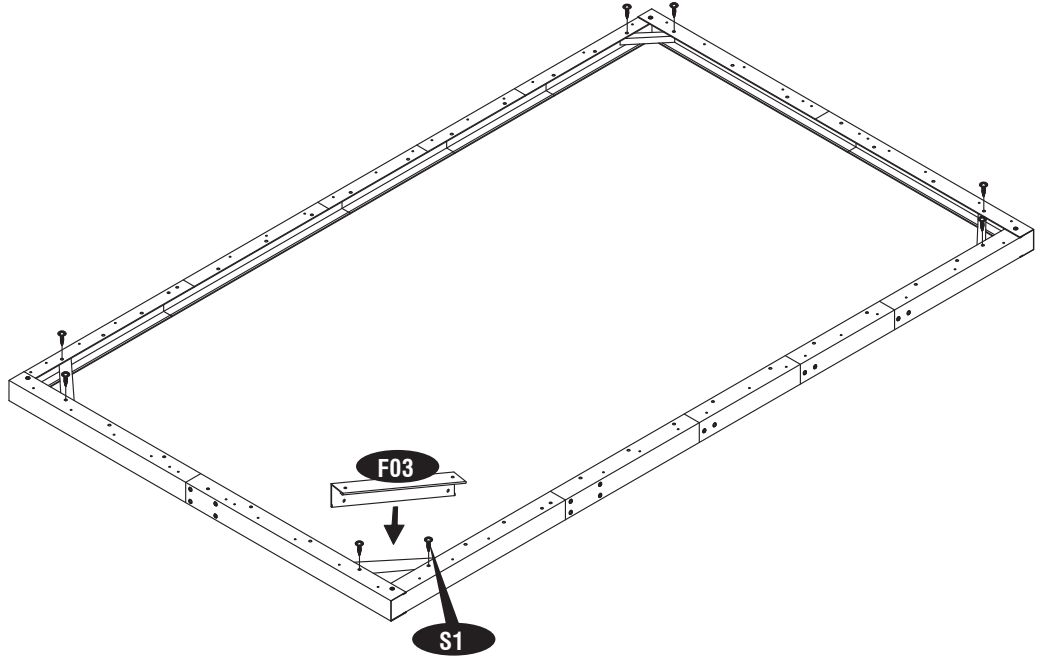


Note Make sure while assembling, the channel position should be as shown.

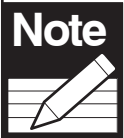


9

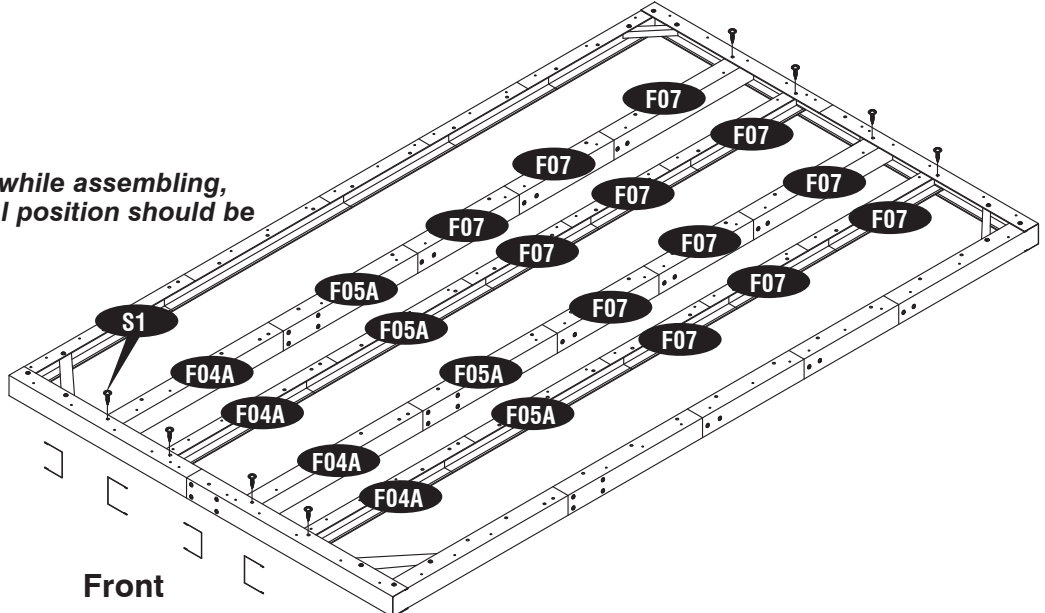
4



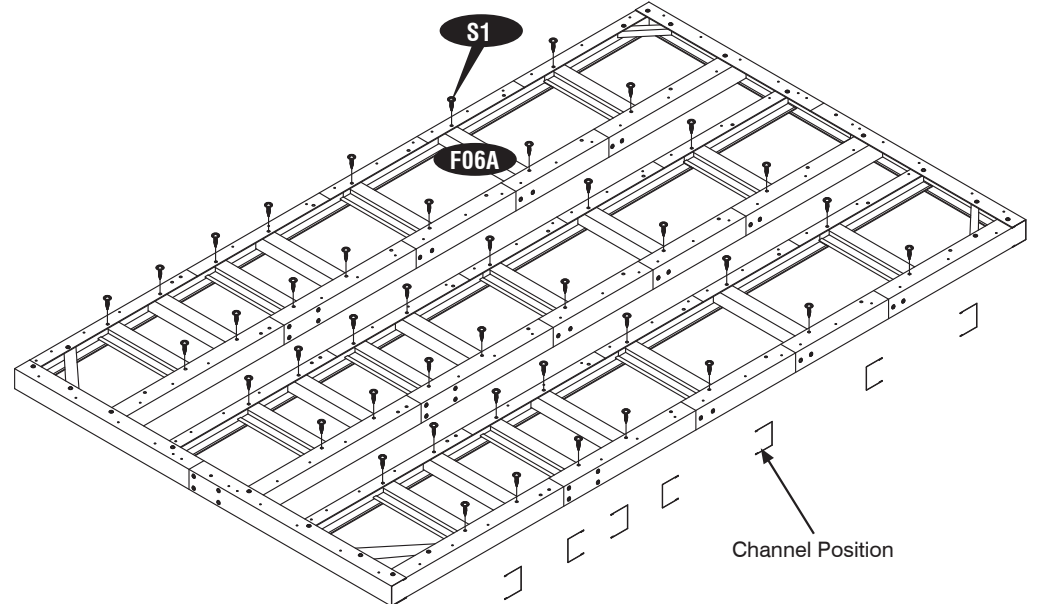
5



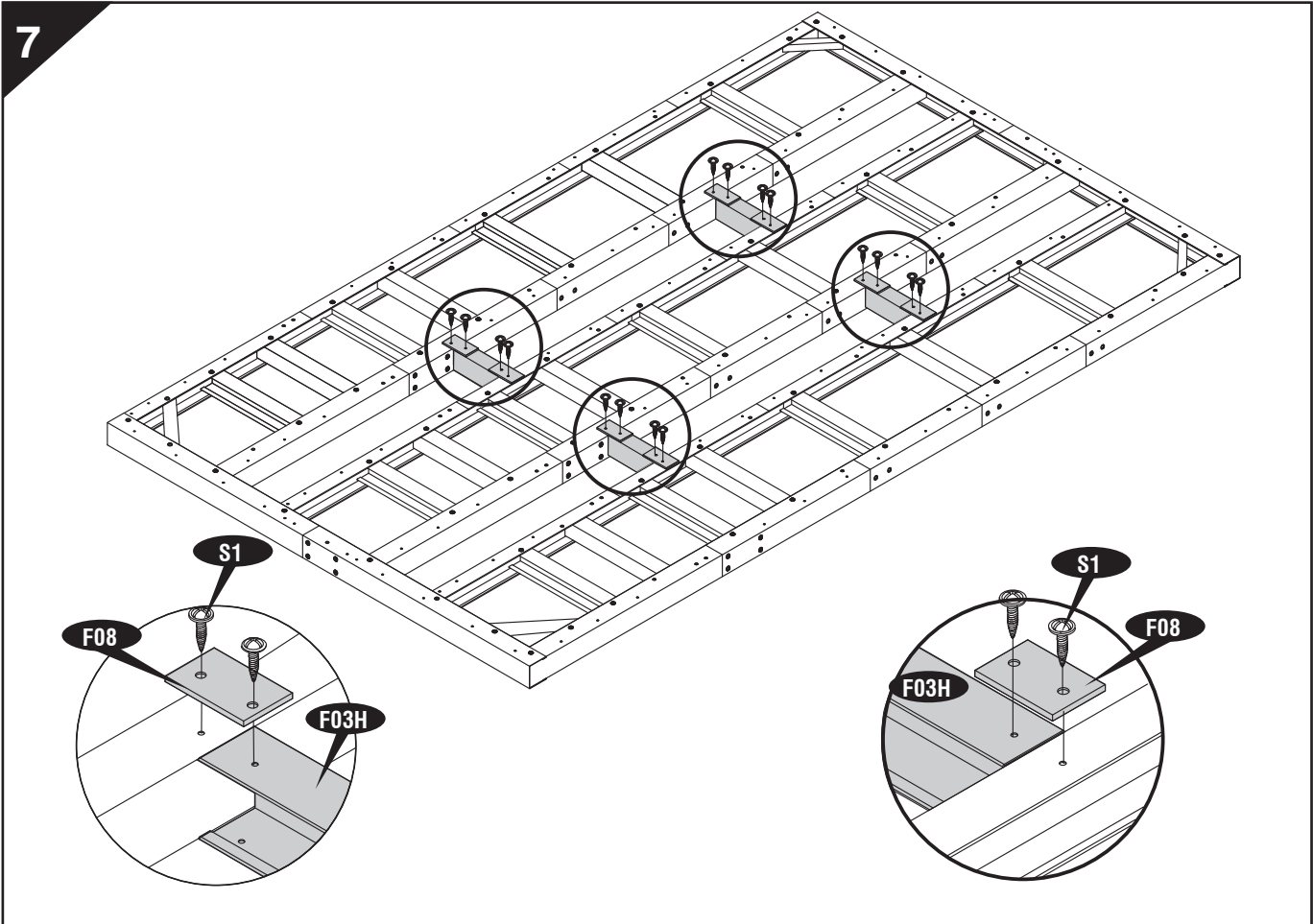
Note Make sure while assembling, the channel position should be as shown.



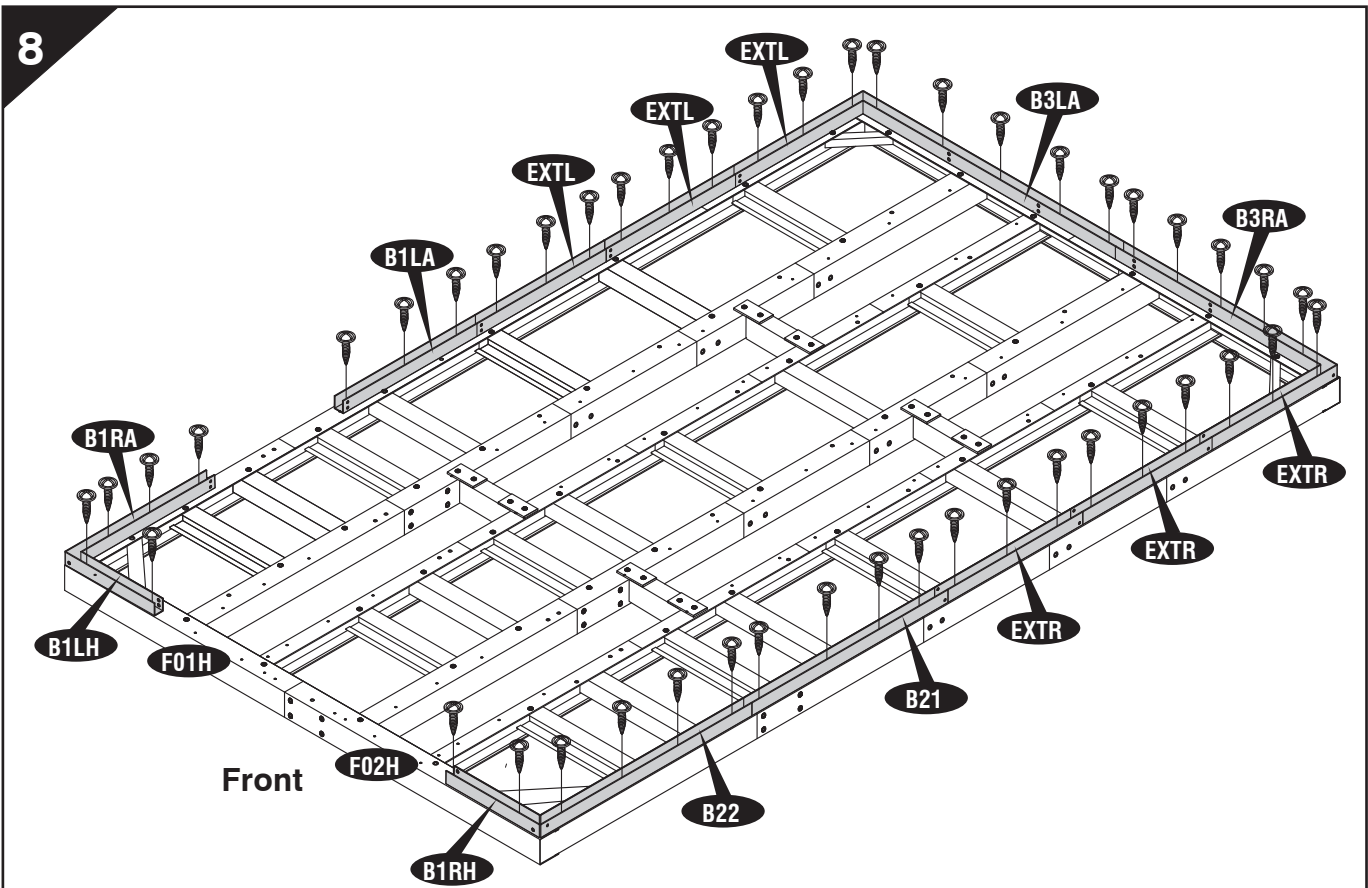
6

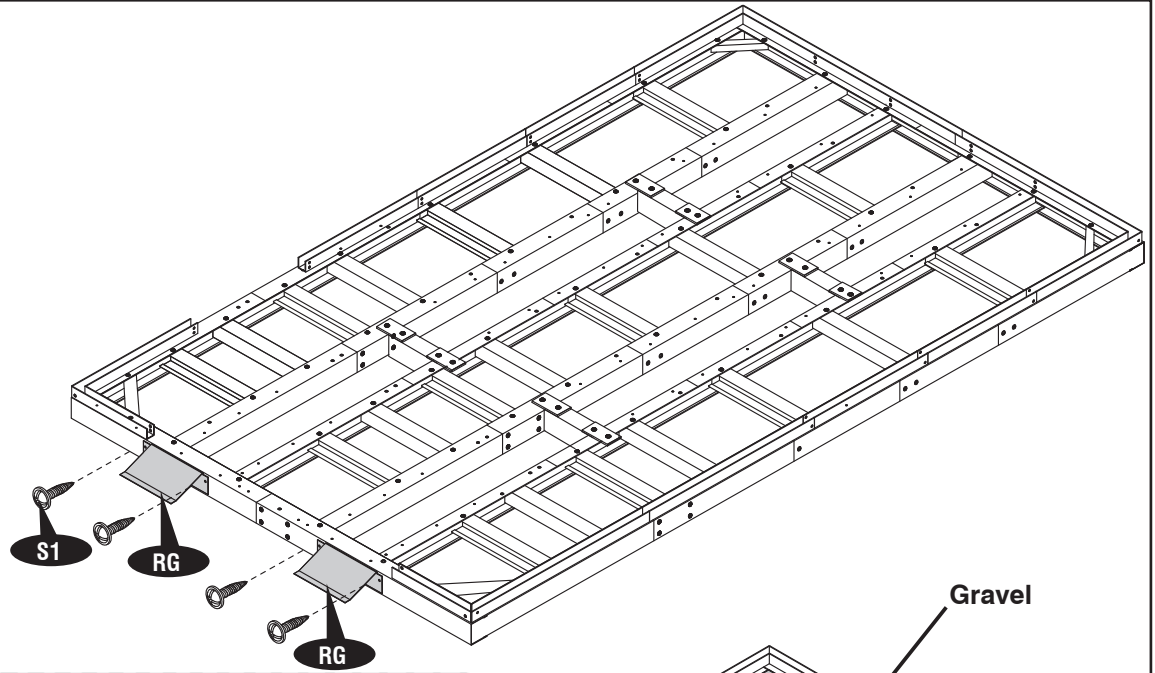


7



8

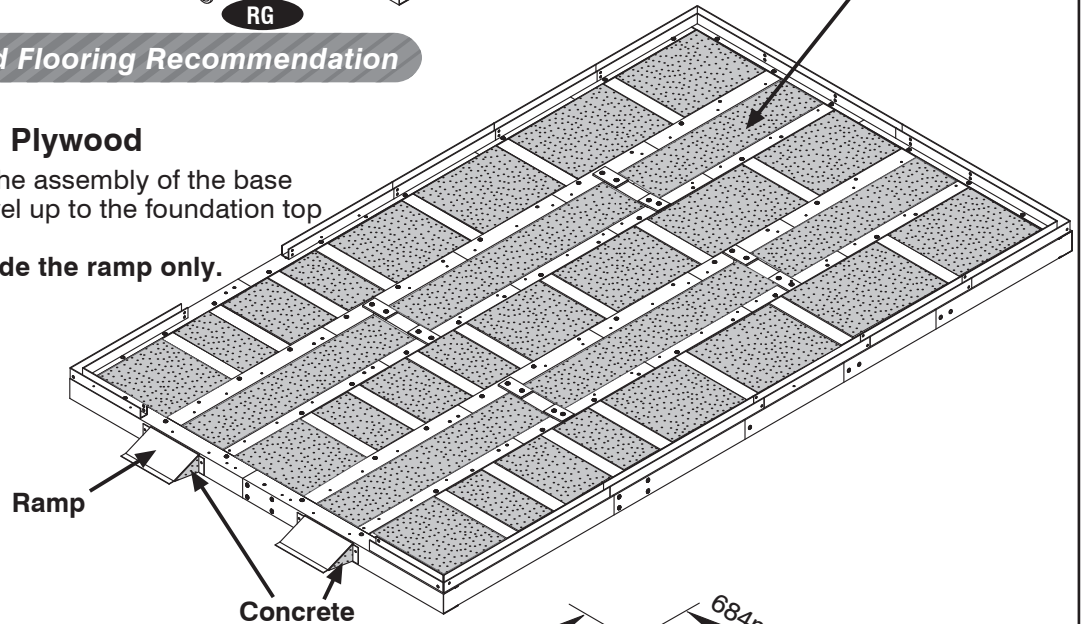




Filler Material and Flooring Recommendation

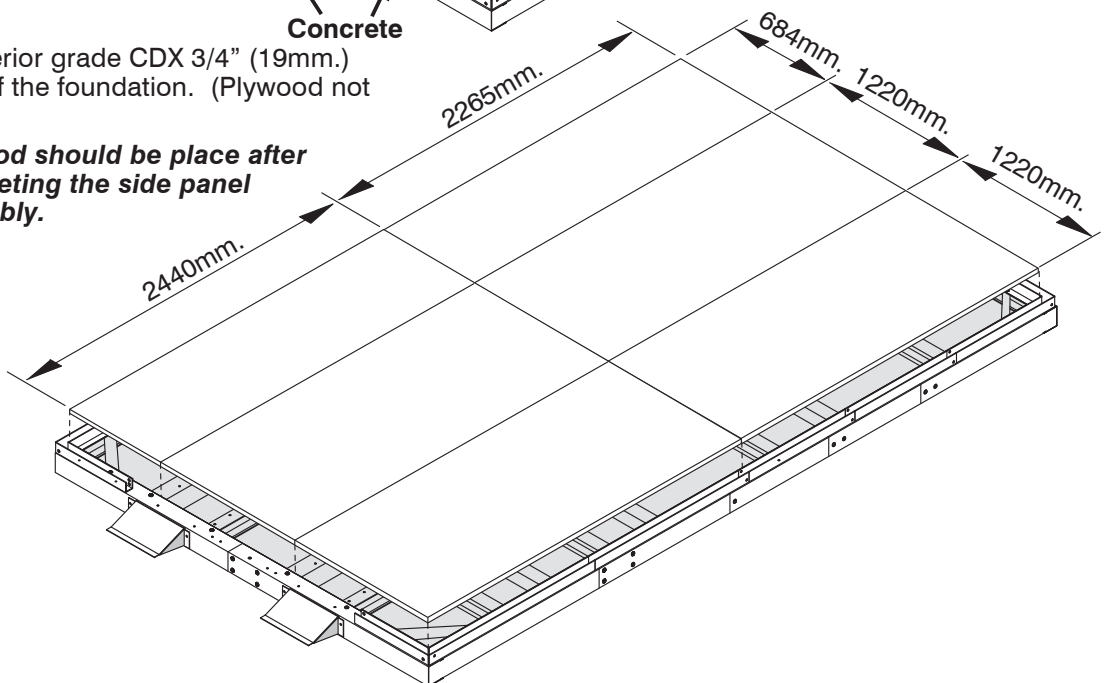
**OPTION - 1.
Gravel Floor with Plywood**

a. After completing the assembly of the base U-channel fill the gravel up to the foundation top surface only.
Fill the concrete inside the ramp only.

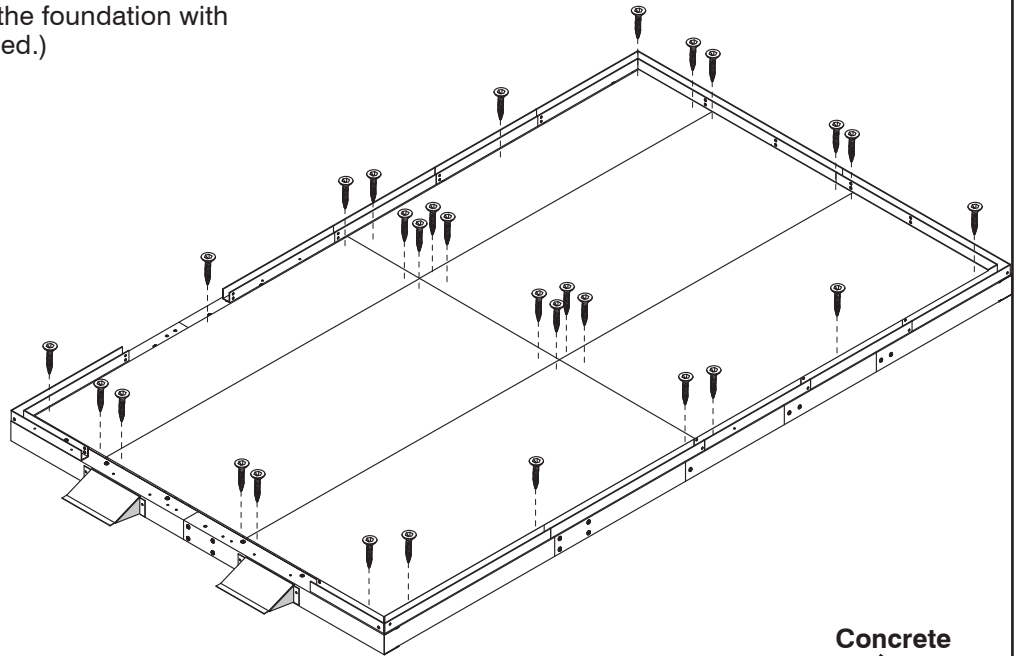


b. Place the exterior grade CDX 3/4" (19mm.) plywood on top of the foundation. (Plywood not included.)

Note *Plywood should be place after completing the side panel assembly.*

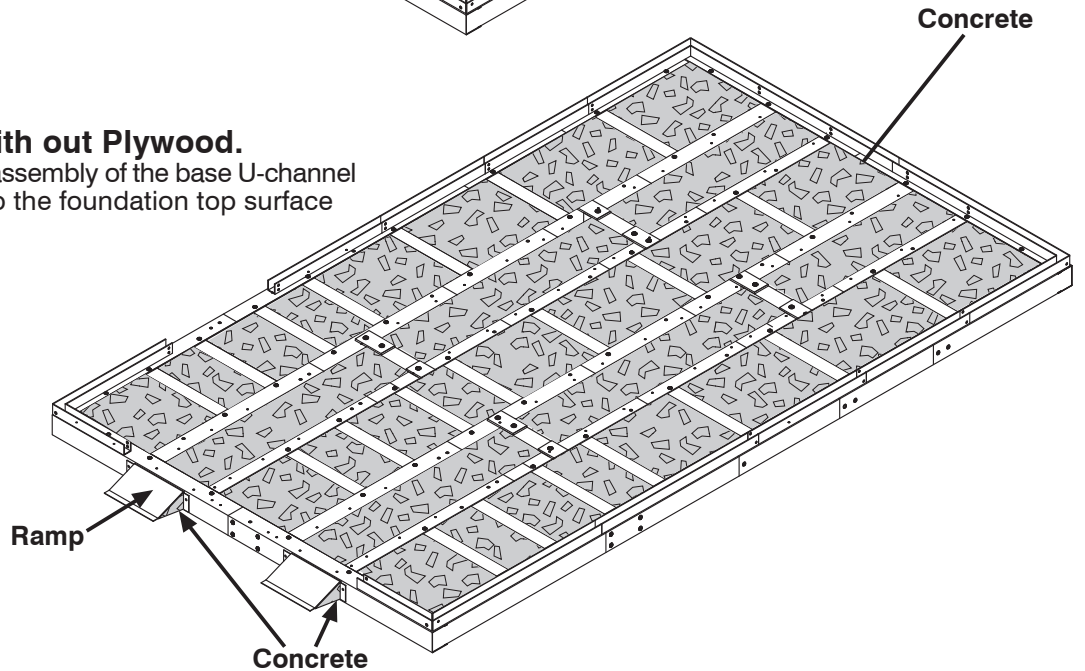


C. Secure the plywood to the foundation with screws. (Screws not included.)



**OPTION - 2.
Cement Floor with out Plywood.**

After completing the assembly of the base U-channel fill the concrete up to the foundation top surface only.



B. Walls & Columns



Parts Needed:

| <u>CODE</u> | <u>QTY</u> | <u>CODE</u> | <u>QTY</u> |
|-------------|------------|-------------|------------|
| CDRA | 1 | CB3XA | 5 |
| CDLA | 1 | CB4H | 2 |
| CDRH | 1 | CB4A | 1 |
| CDLH | 1 | CB6H | 1 |
| CMA | 8 | MJ | 3 |
| CMH | 3 | RG | 2 |
| CCA | 4 | FCB | 4 |
| SP↑ | 15 | CBC | 3 |
| FSPH | 2 | EPS | 7 |
| CB1H | 2 | S1 | |
| CB1A | 1 | S2 | |
| CB3A | 1 | S3 | |

1

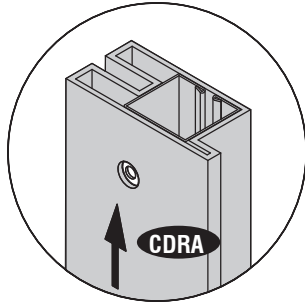


Fig.1

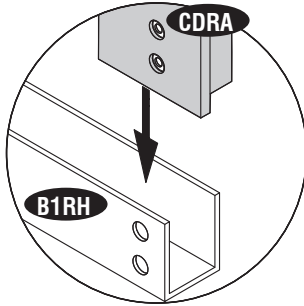


Fig.2

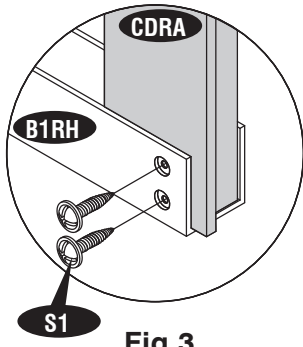
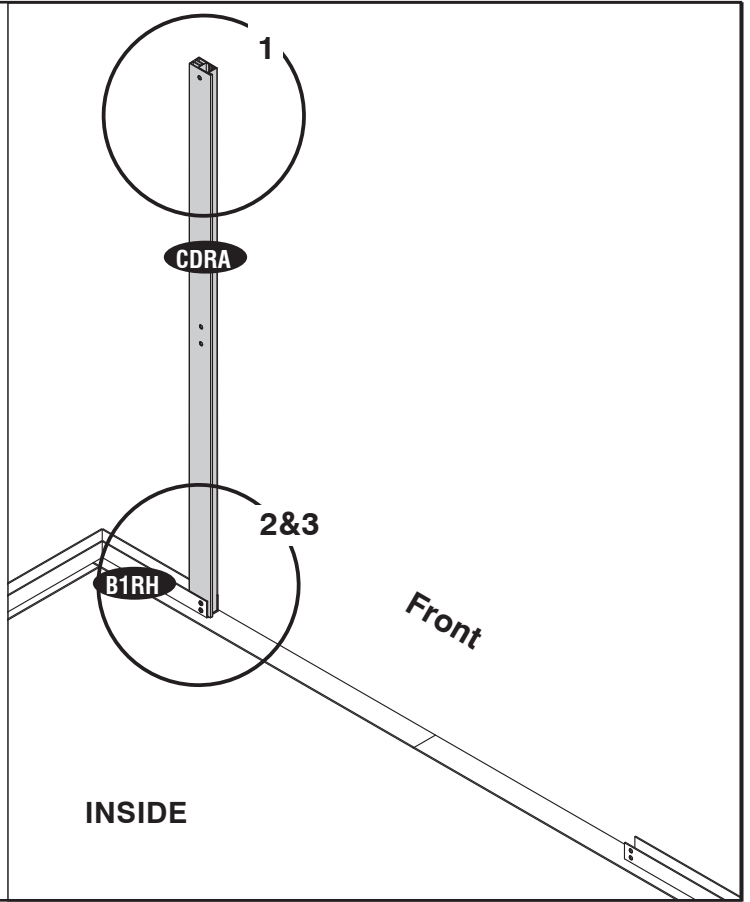


Fig.3



2

Note



Always place panels into frame at an angle on top and slide in sideways and downward for easy insertion.

Make sure panels are right side up with panel shingles facing down. Check the stamped label on top of all panels.

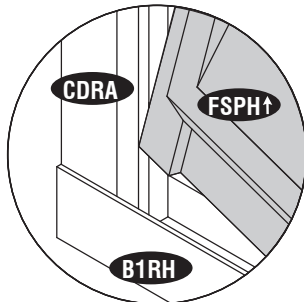
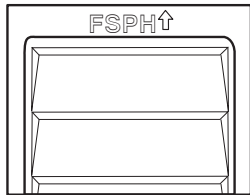
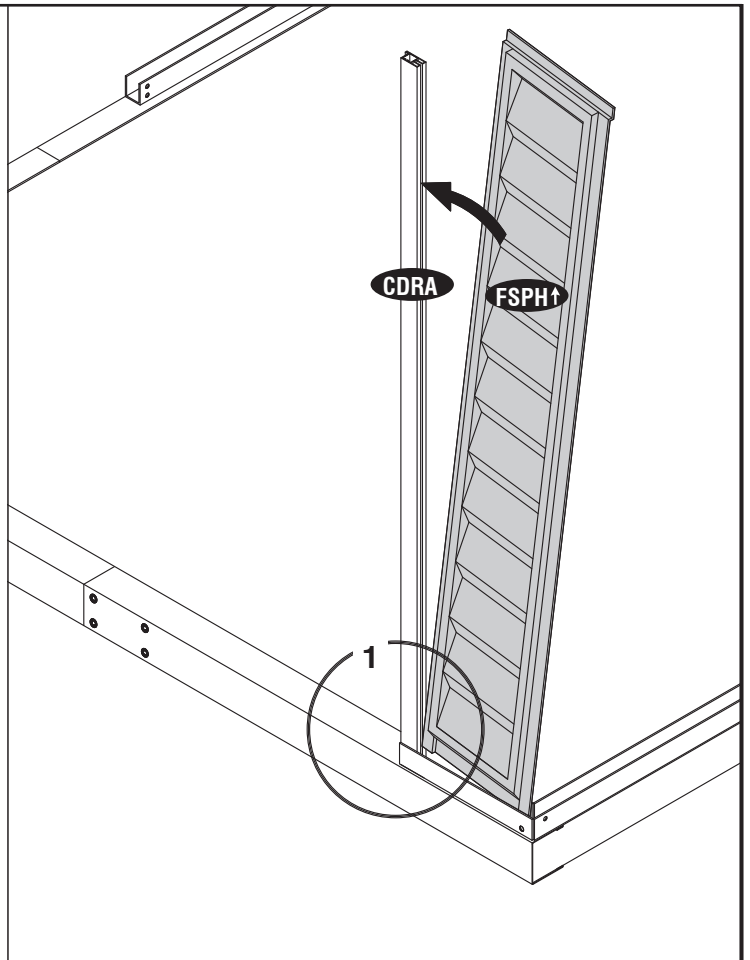


Fig.1



3

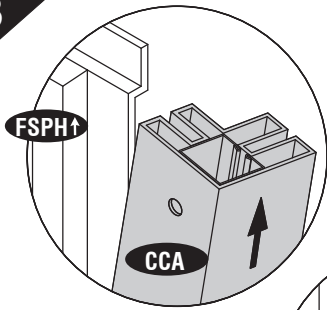


Fig.1

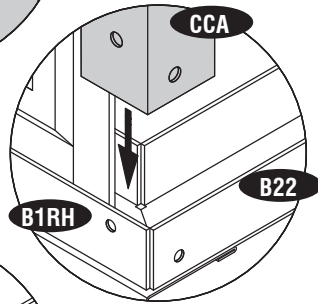


Fig.2

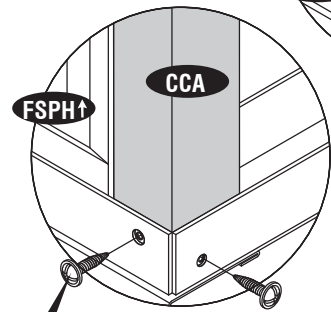
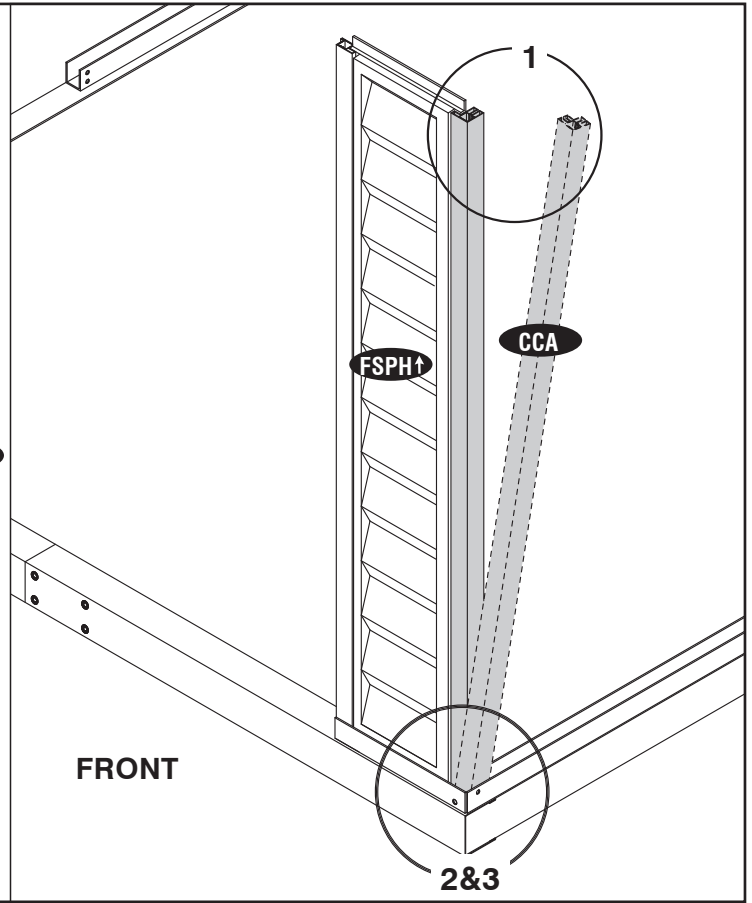
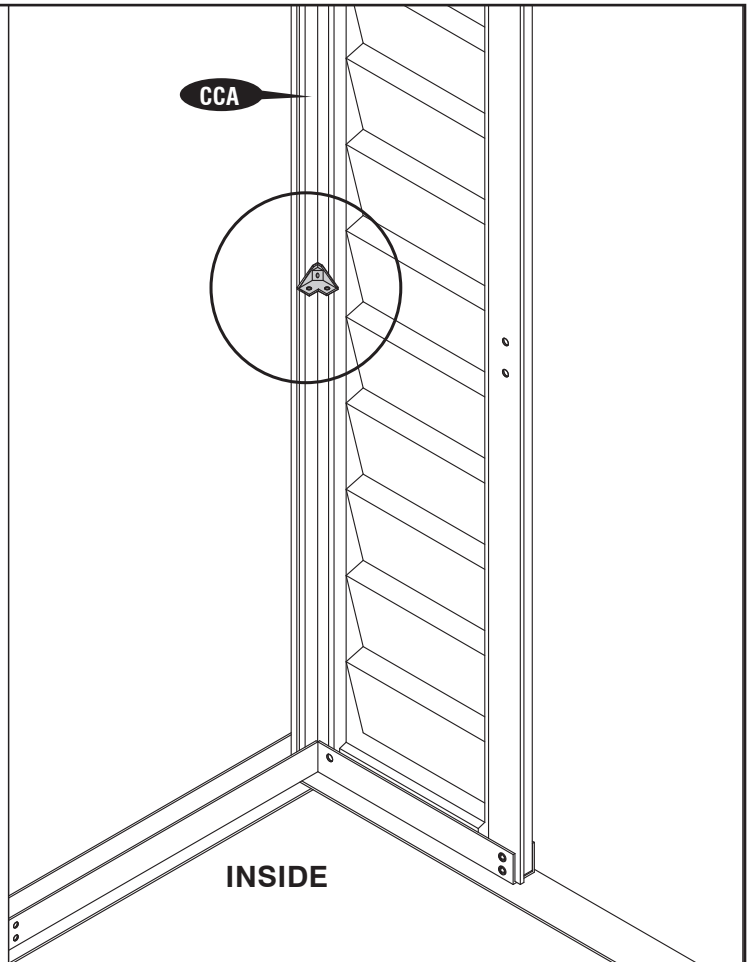
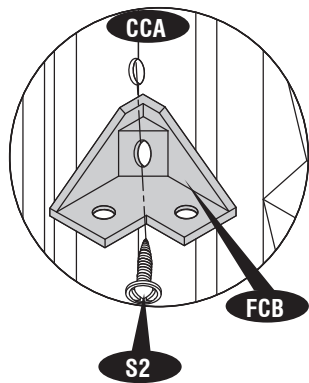


Fig.3



4



5

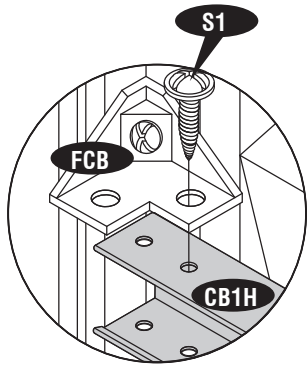


Fig.1

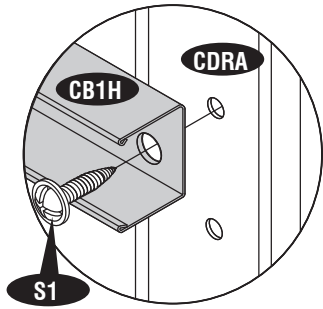
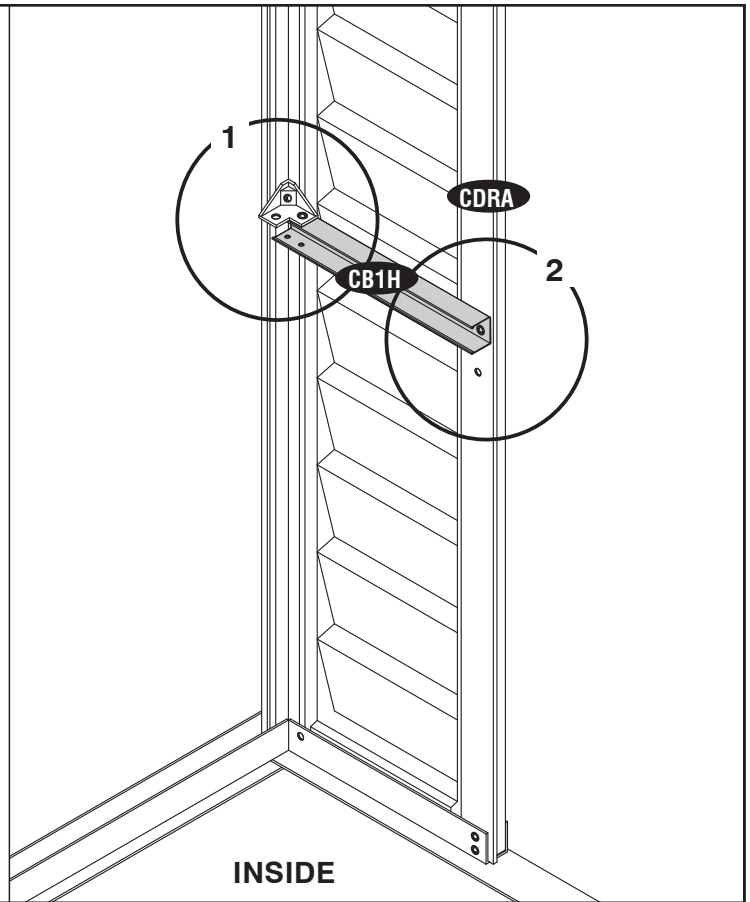


Fig.2



6

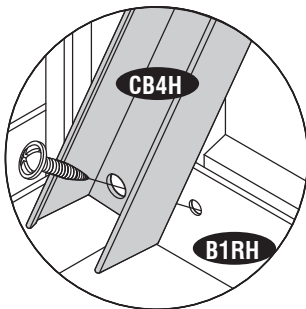


Fig.1

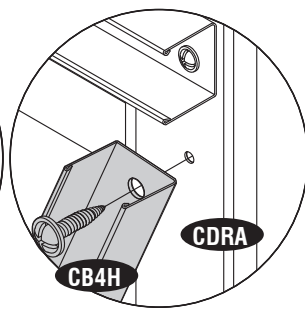


Fig.2

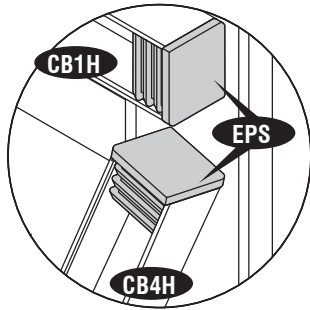
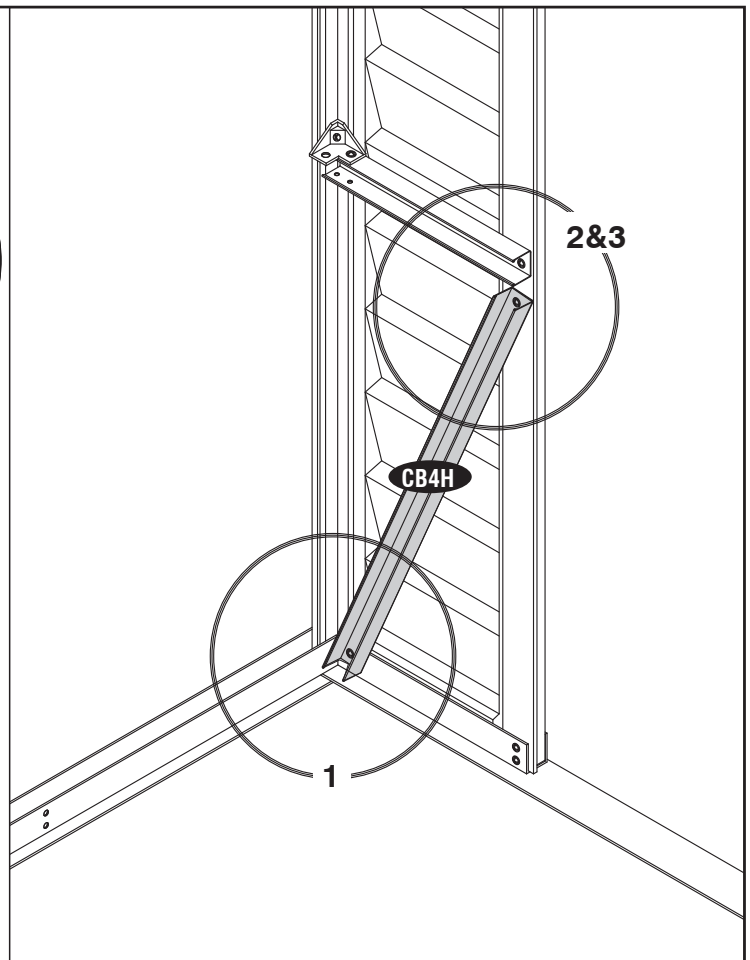


Fig.3

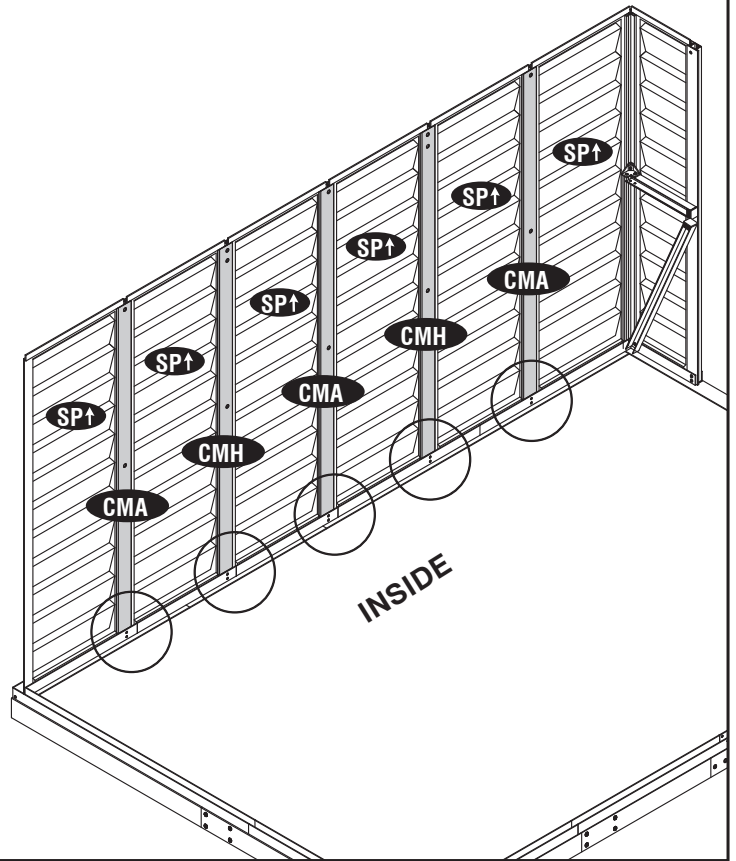
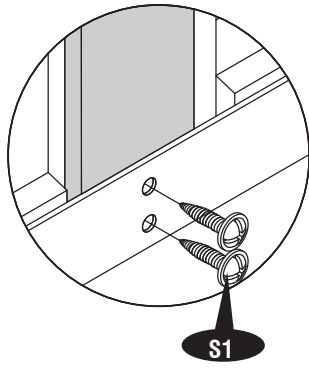


7

Note



Window can be fixed any place except front panel.



8

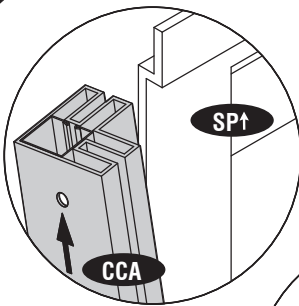


Fig.1

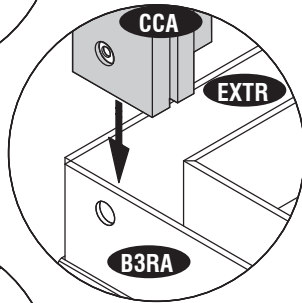


Fig.2

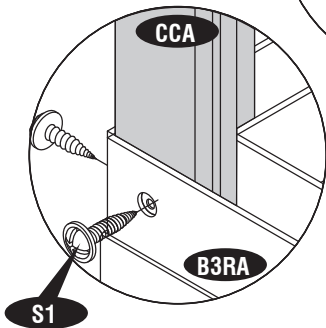
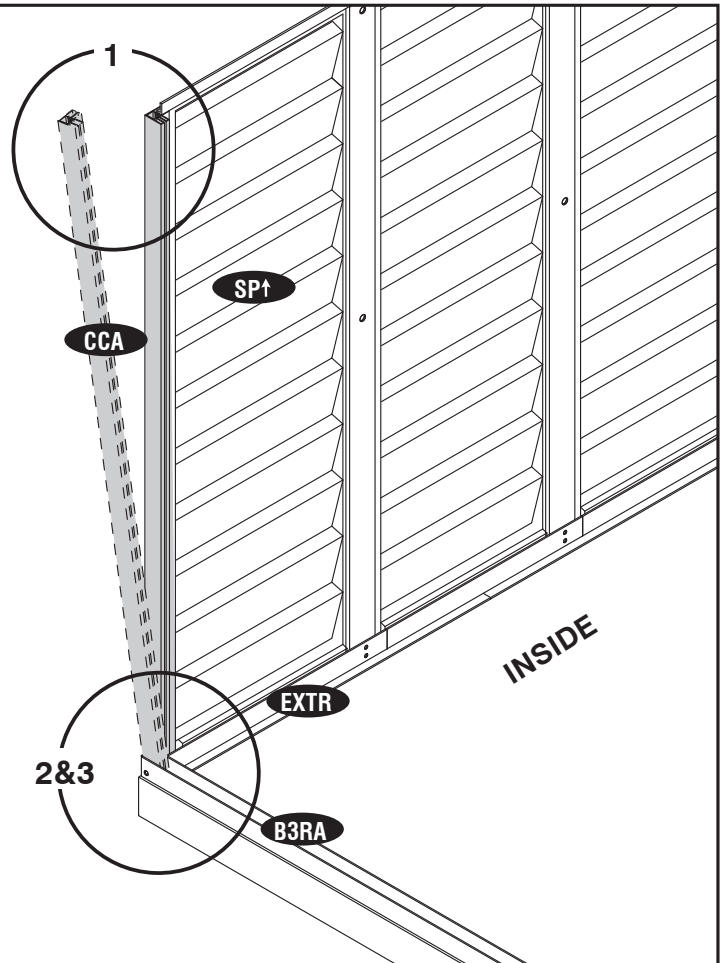


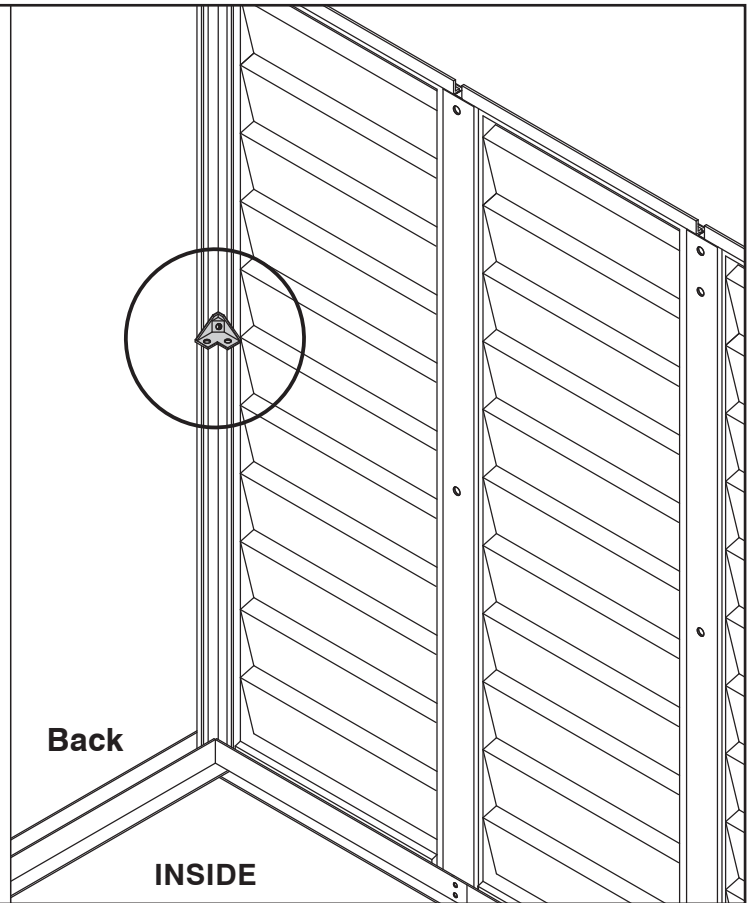
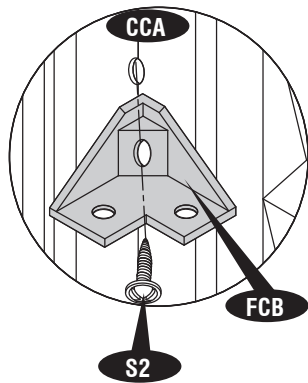
Fig.3



9



Leave it loose.



10

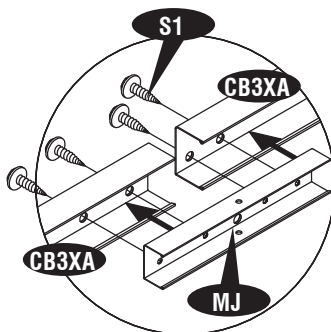


Fig.1

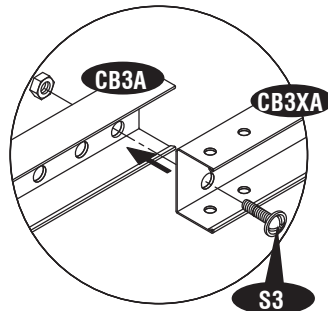
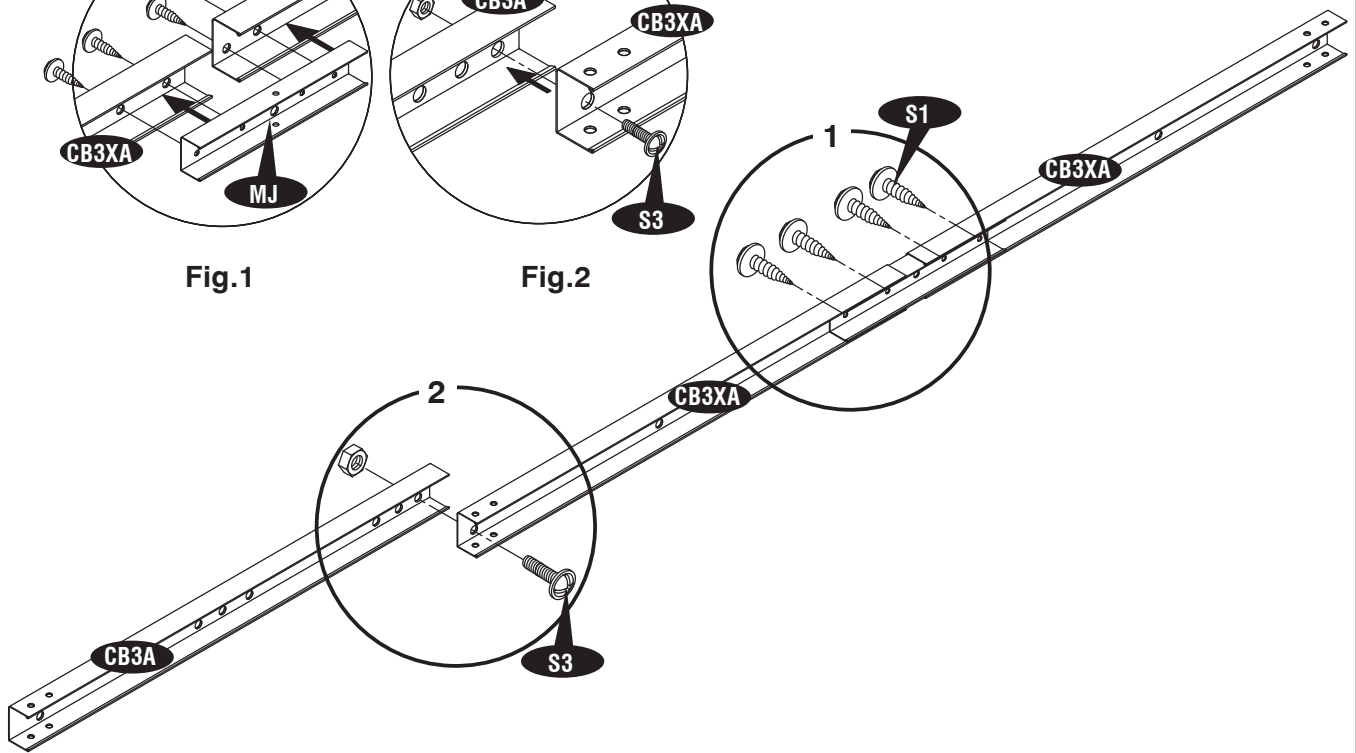


Fig.2



11

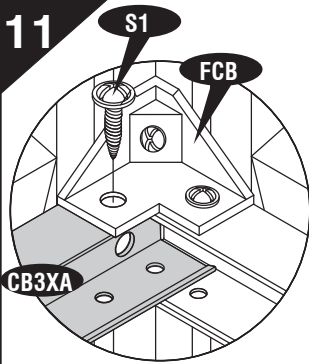


Fig.1

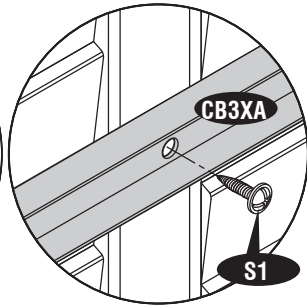


Fig.2

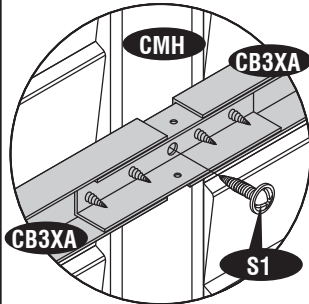


Fig.3

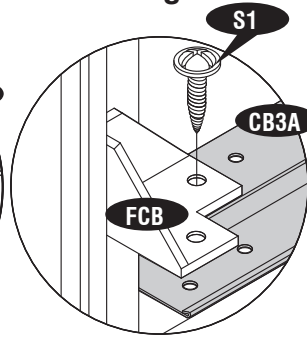


Fig.4

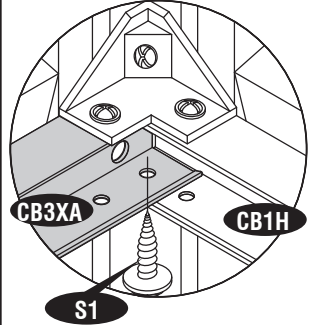


Fig.5

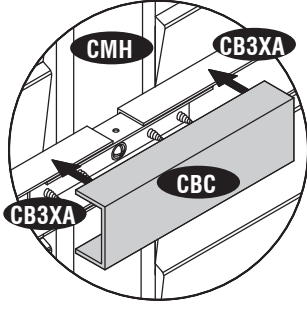
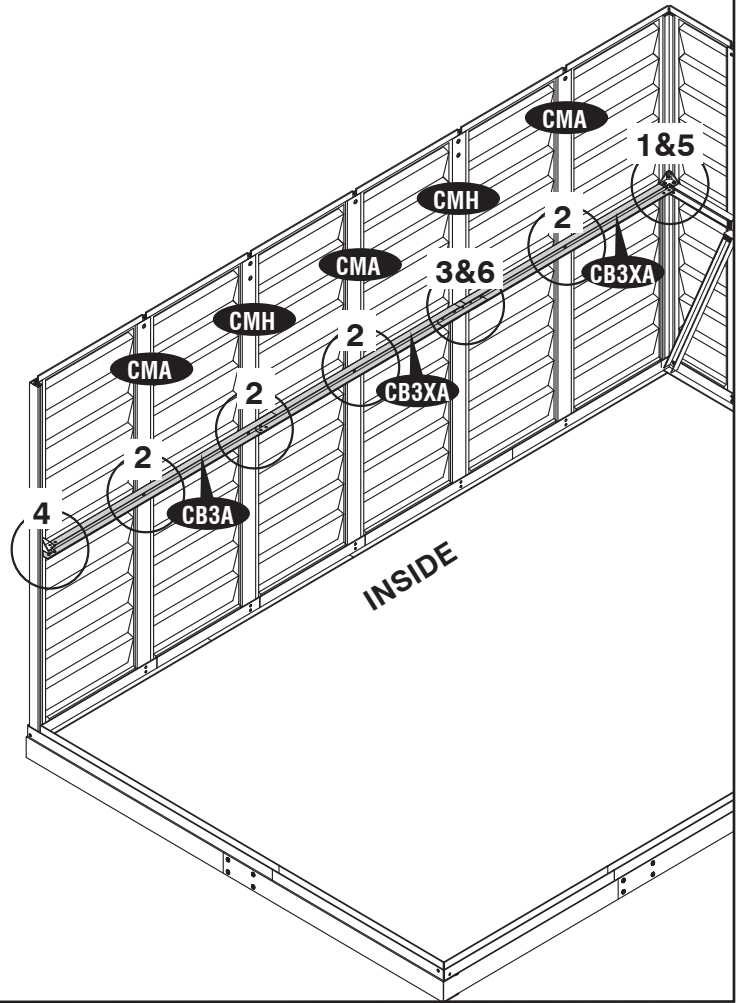
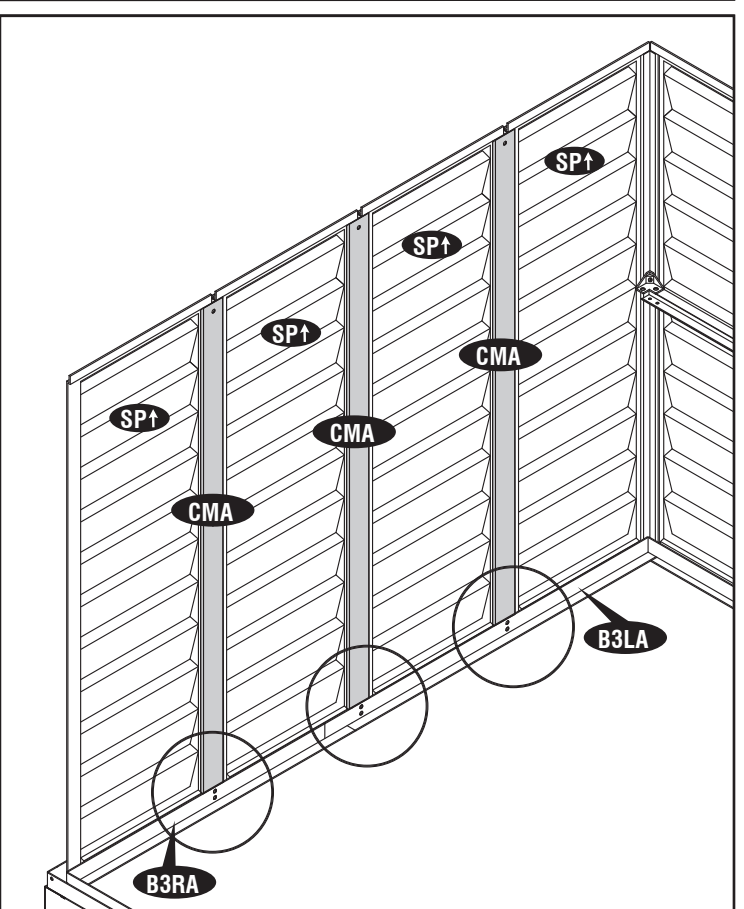
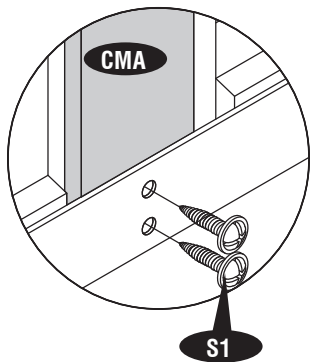


Fig.6



12



13

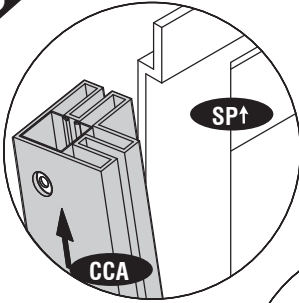


Fig.1

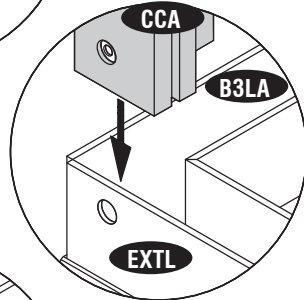


Fig.2

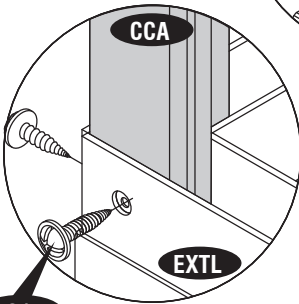
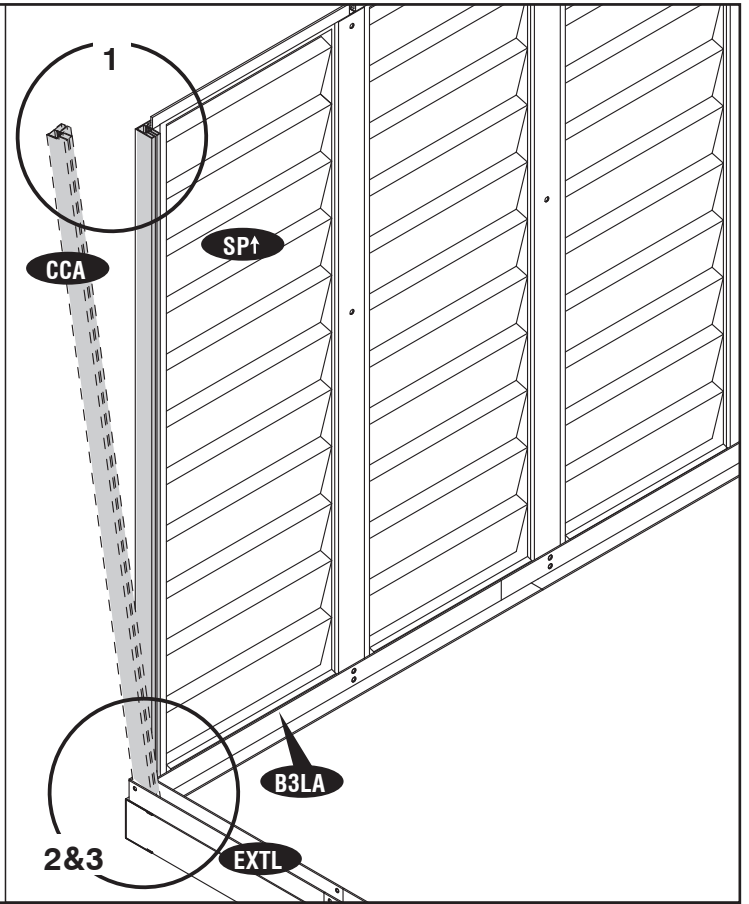


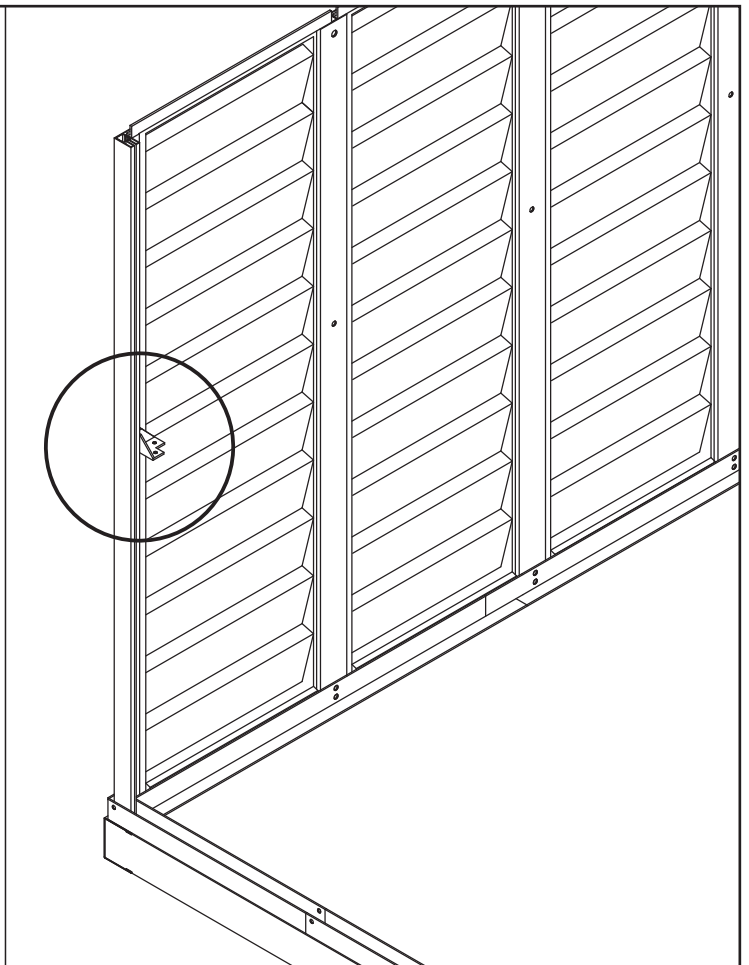
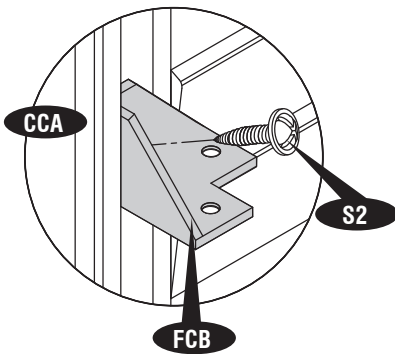
Fig.3



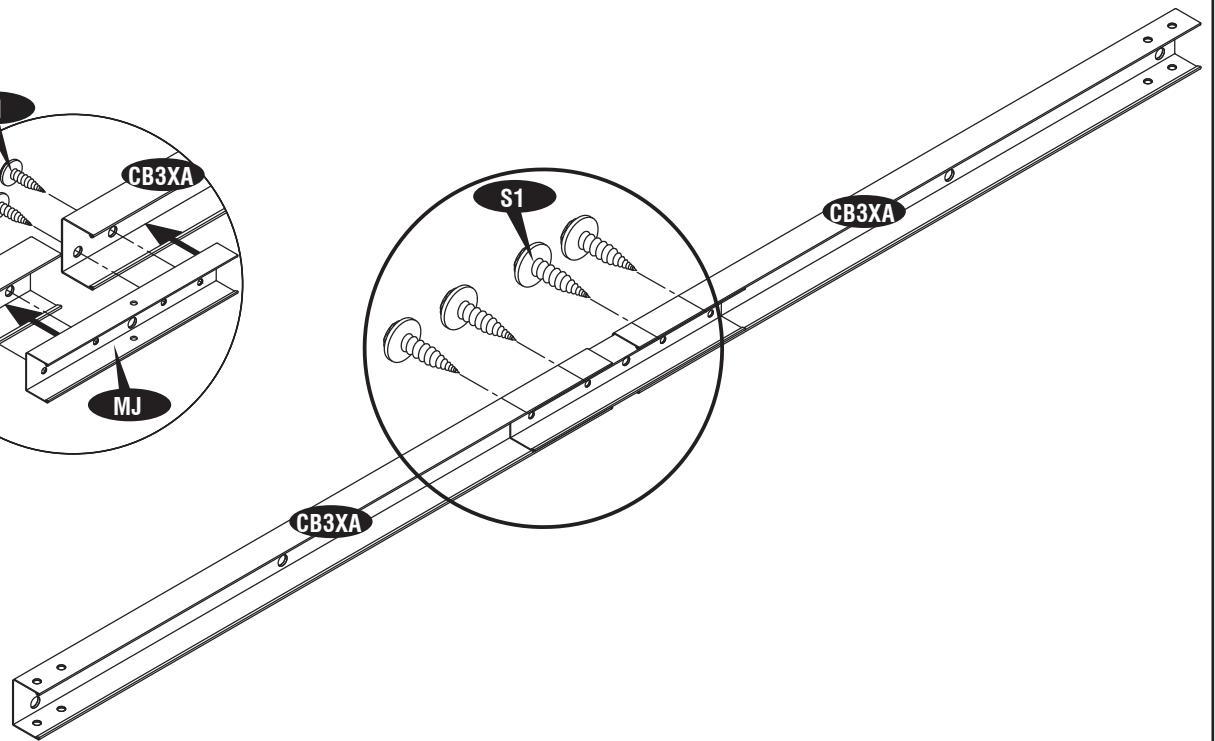
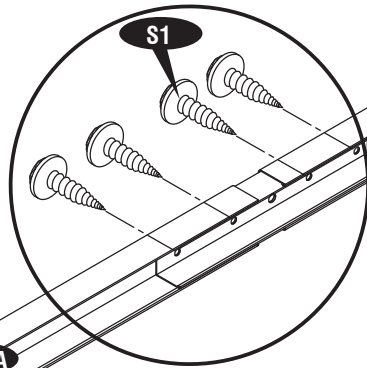
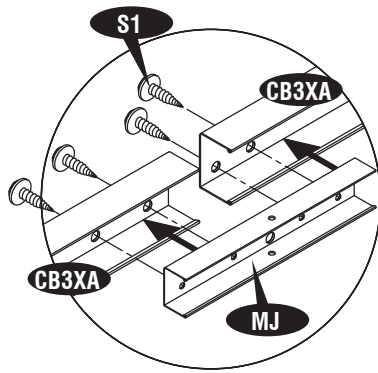
14



Leave it loose.



15



16

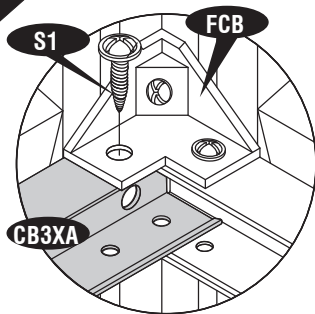


Fig.1

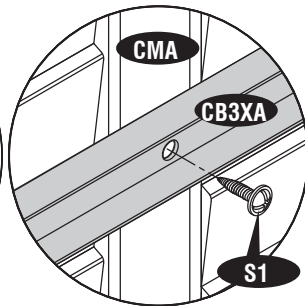


Fig.2

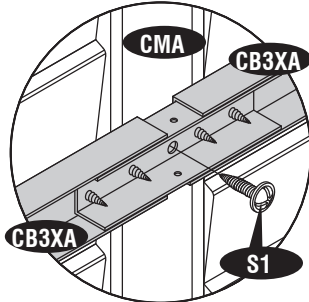


Fig.3

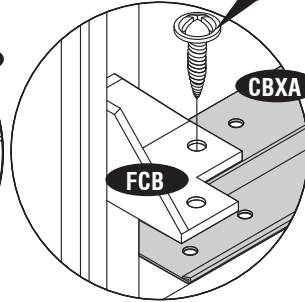


Fig.4

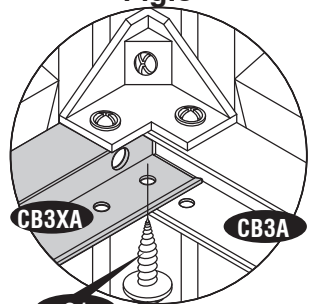


Fig.5

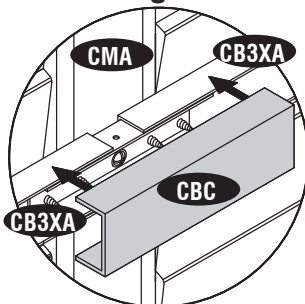
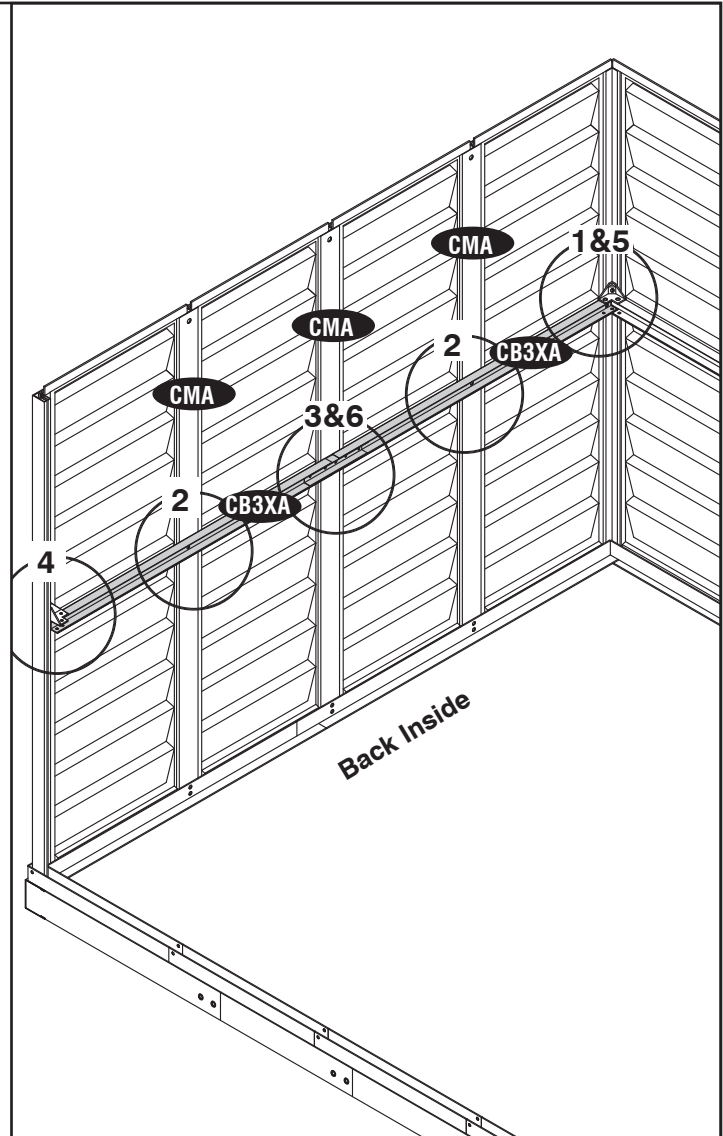
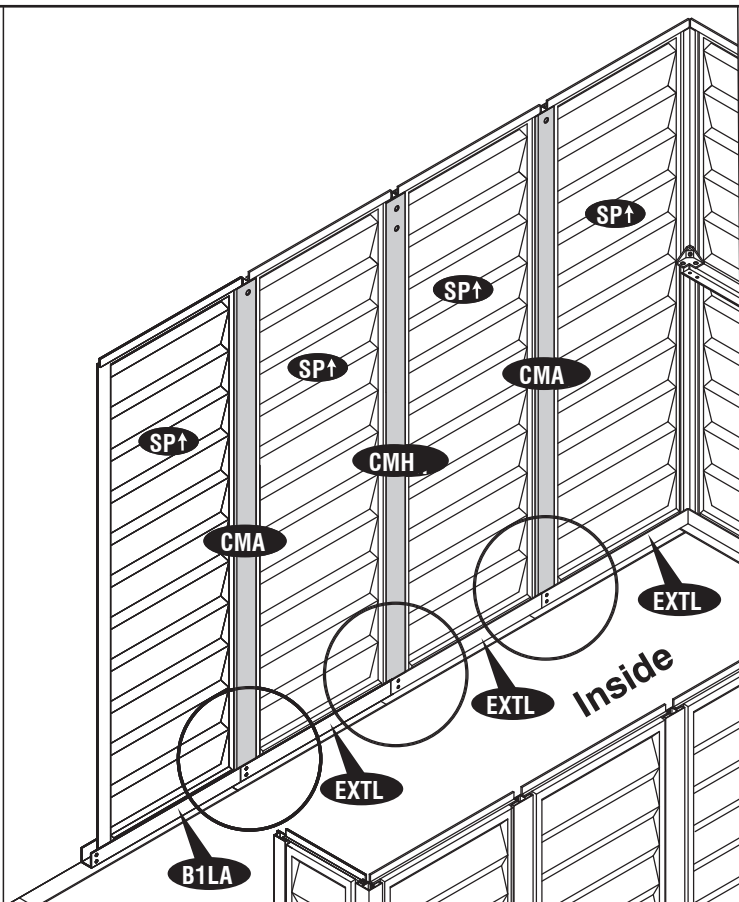
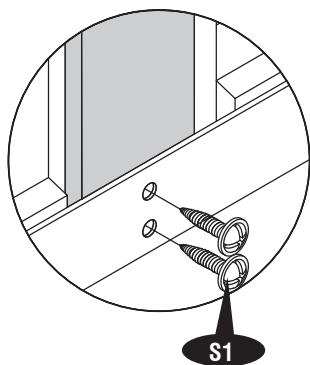


Fig.6



21

17



18

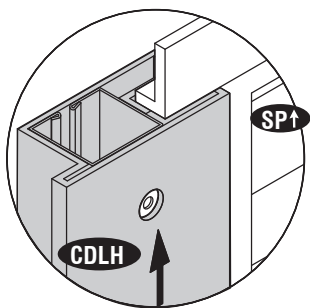


Fig.1

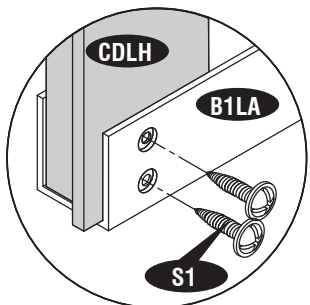
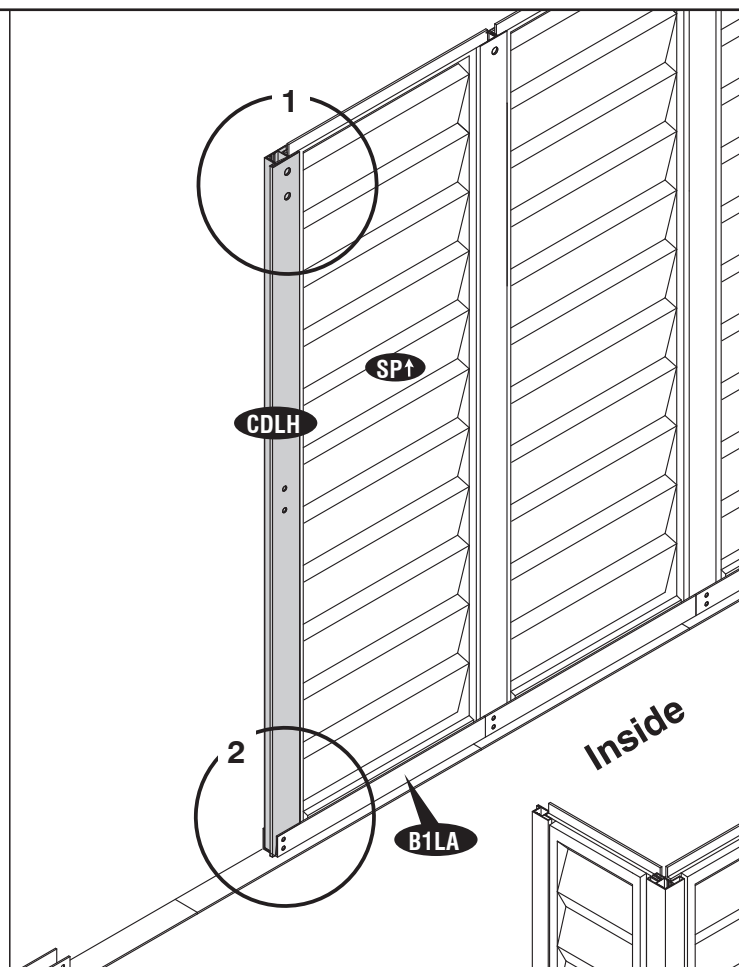


Fig.2



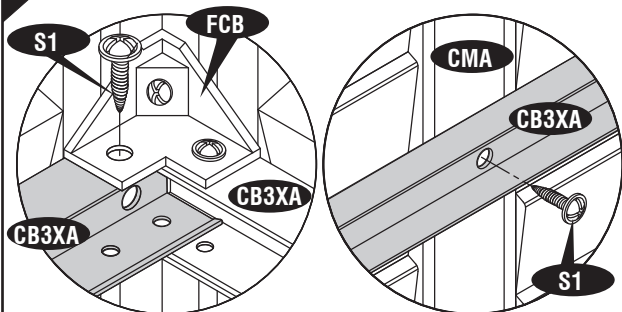
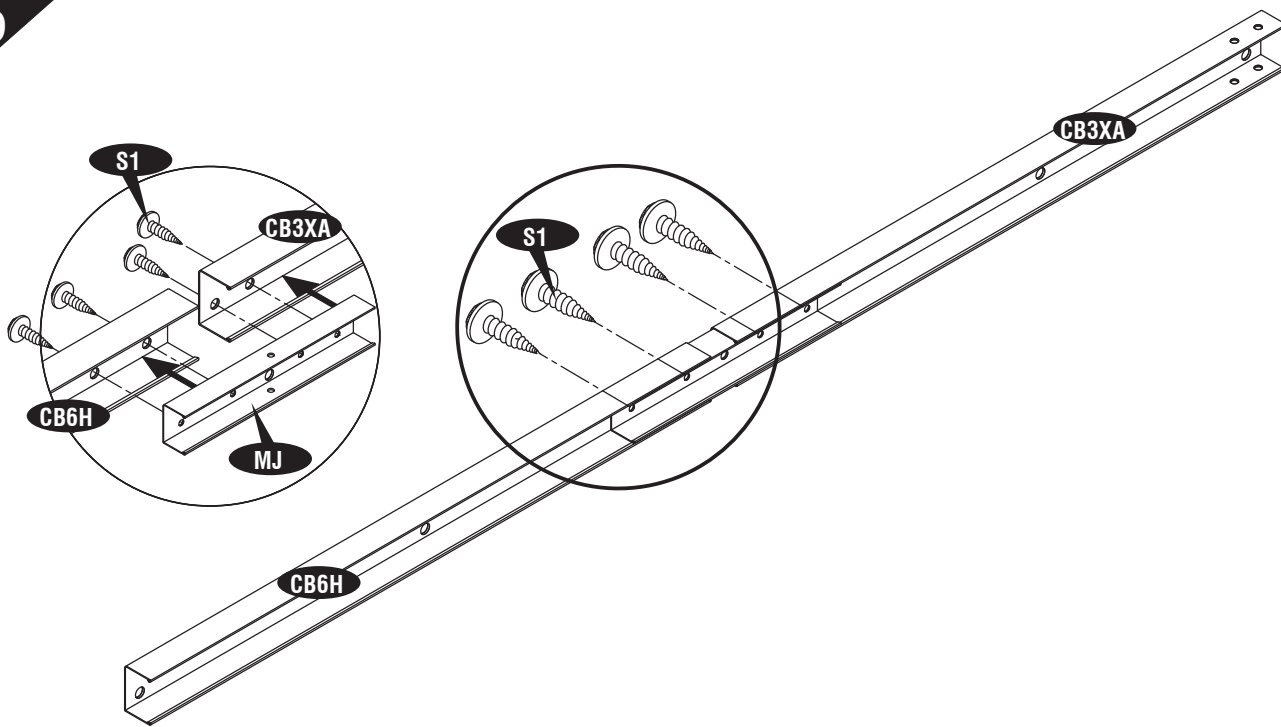


Fig.1

Fig.2

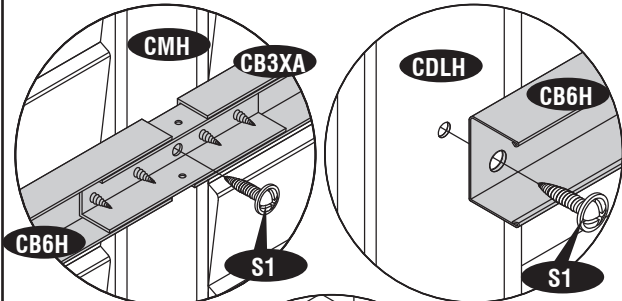


Fig.3

Fig.4

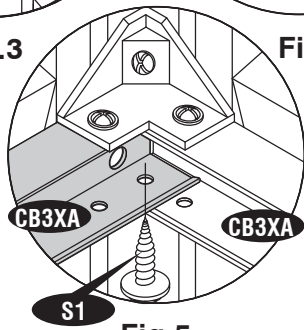
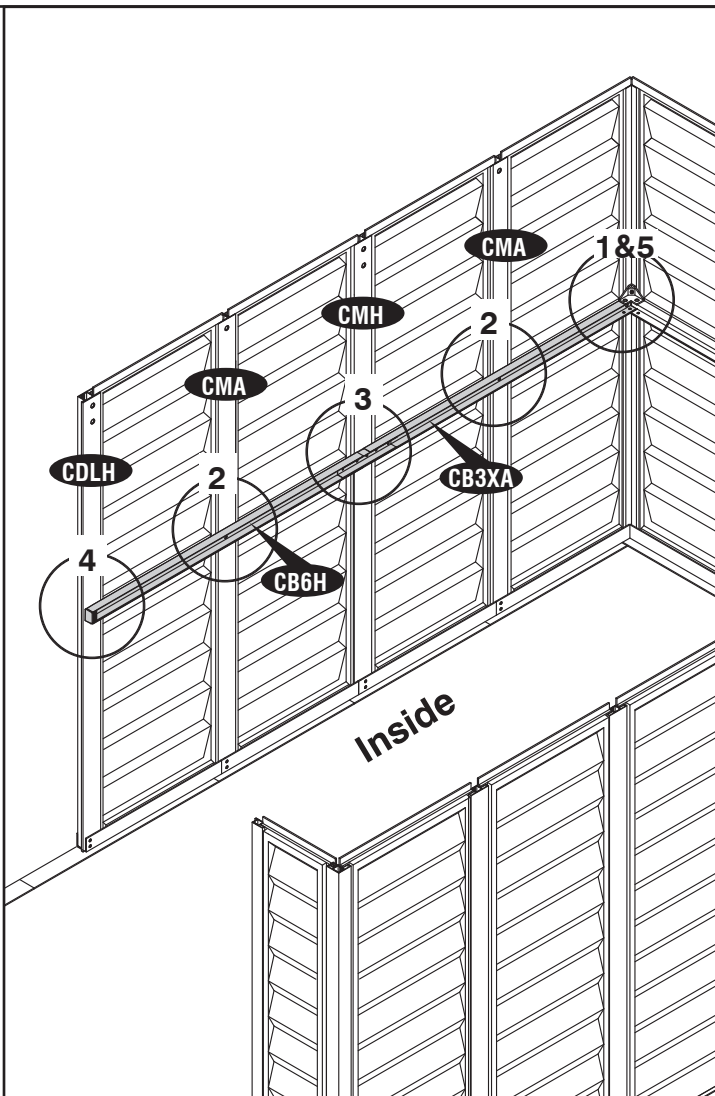


Fig.5



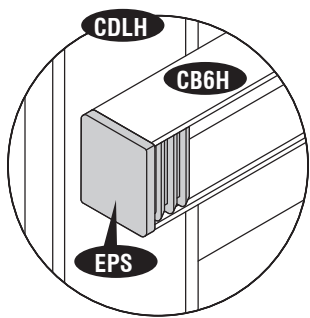


Fig.1

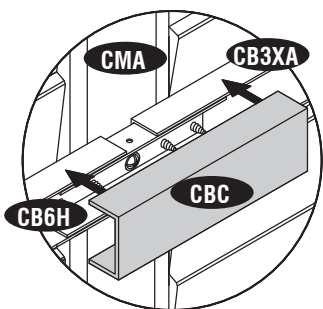


Fig.2

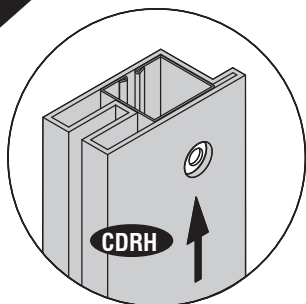
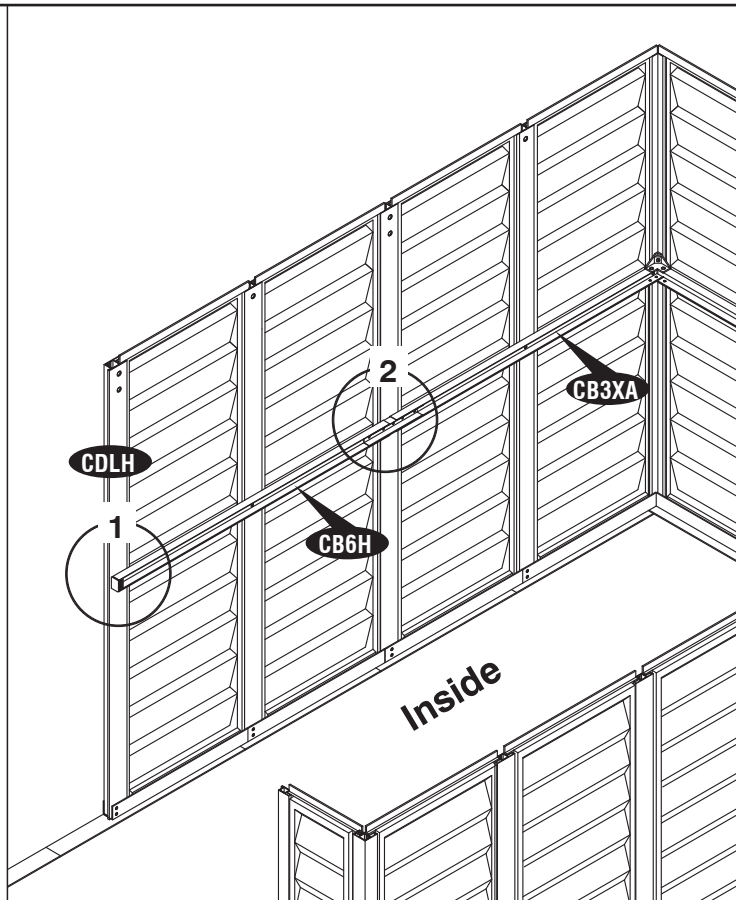


Fig.1

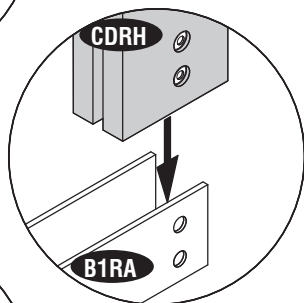


Fig.2

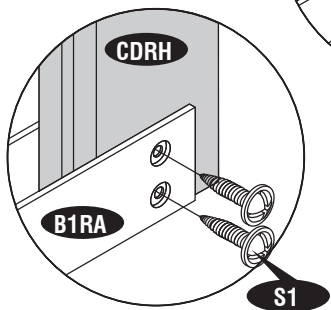
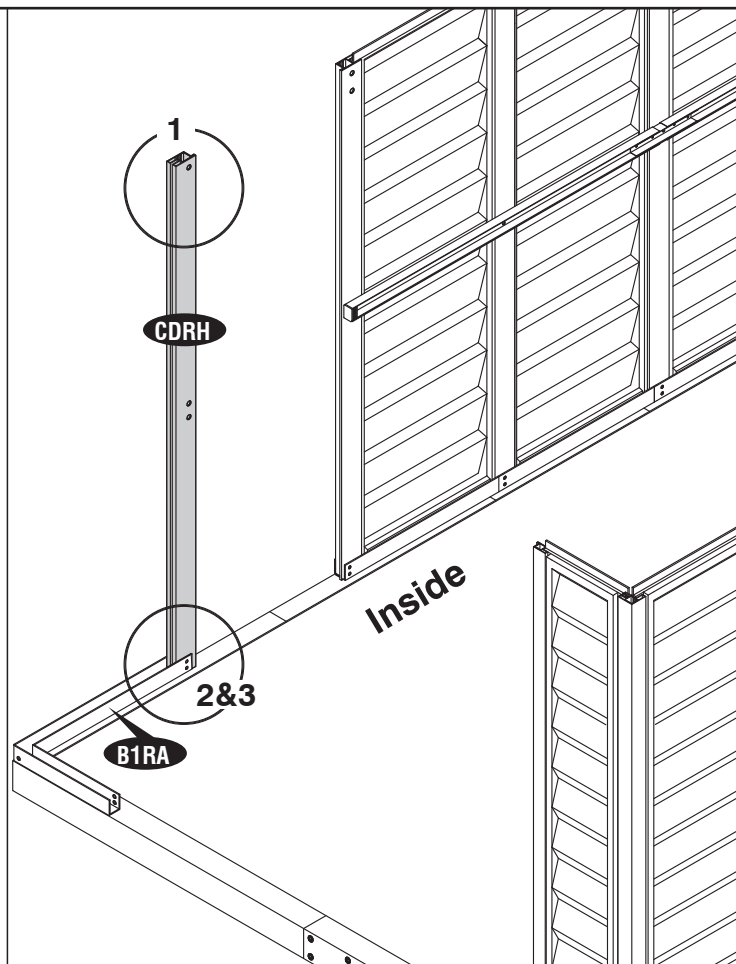
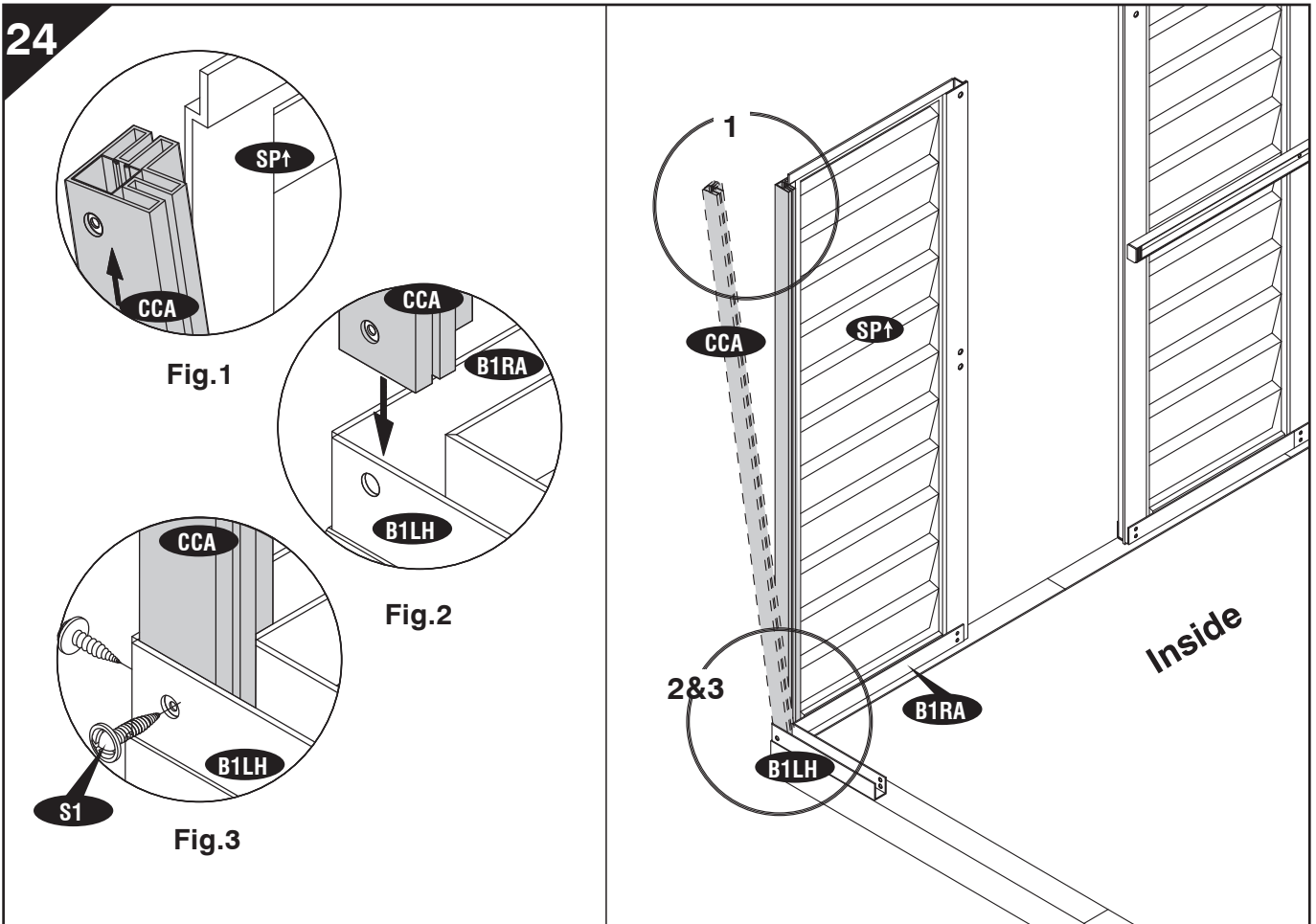
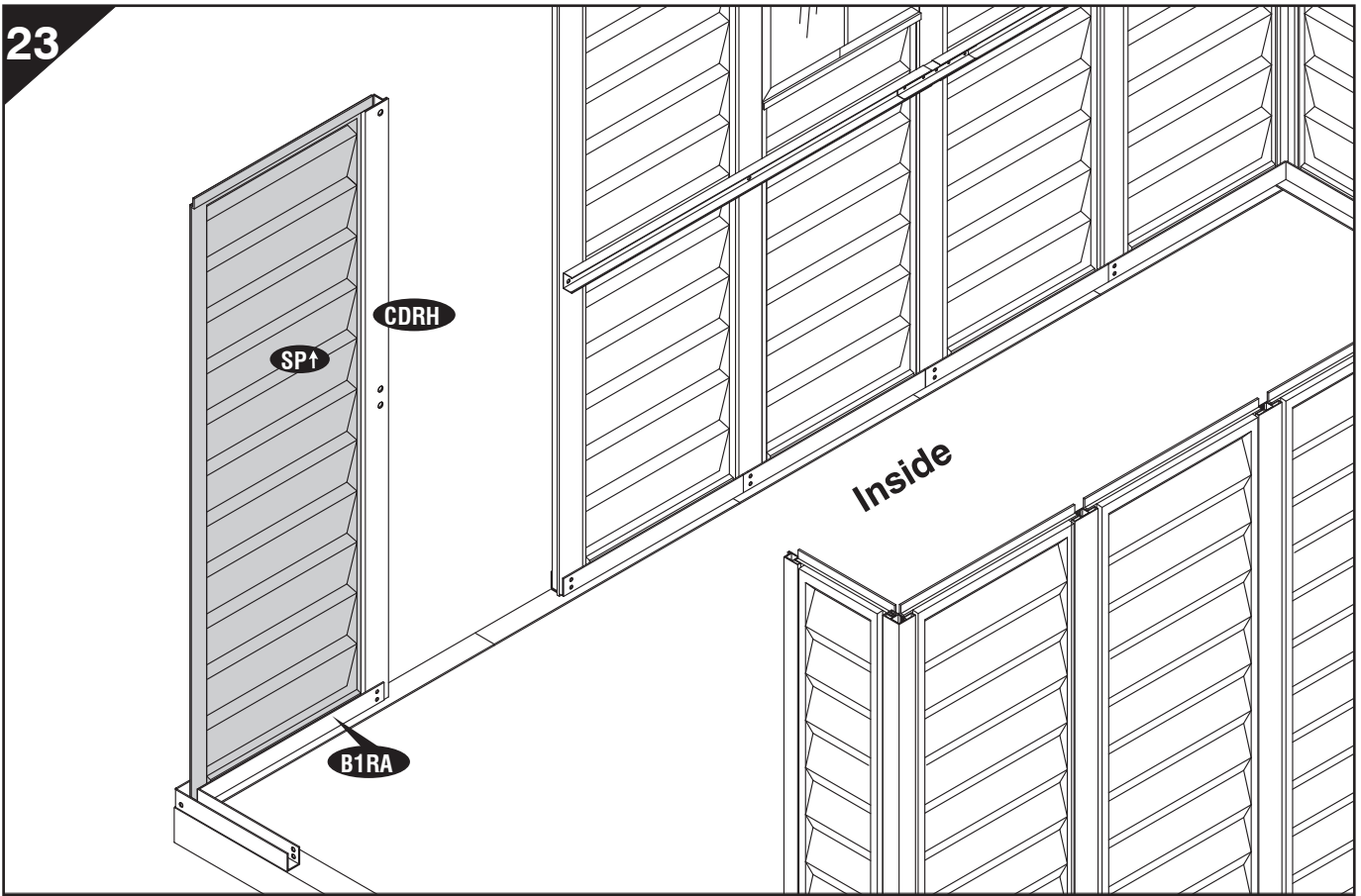


Fig.3

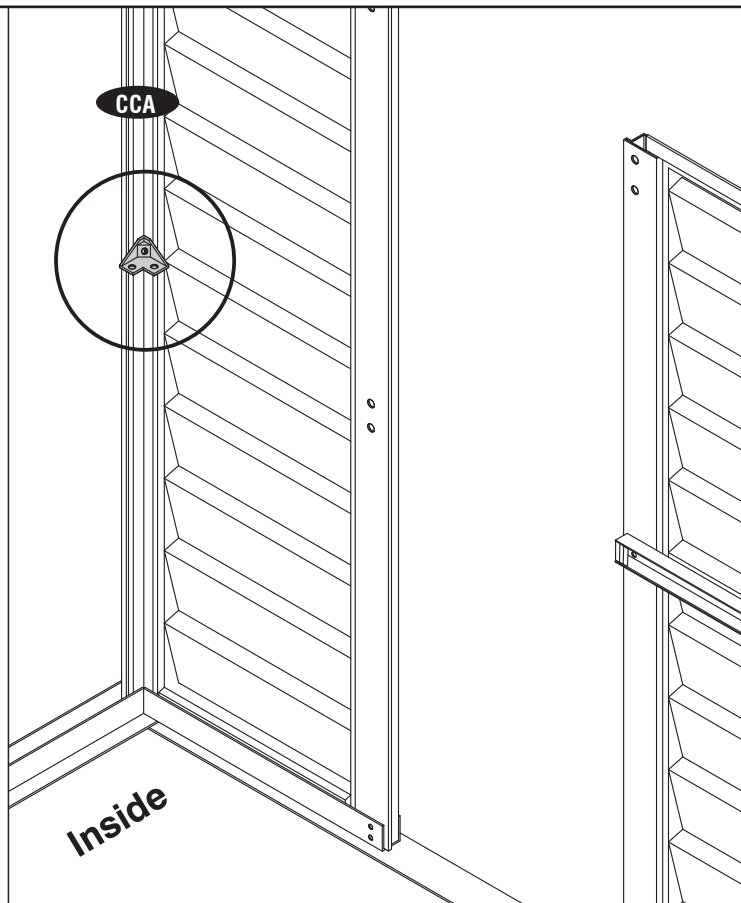
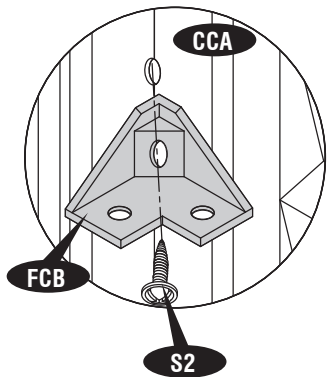




25

TIP

Leave it loose.



26

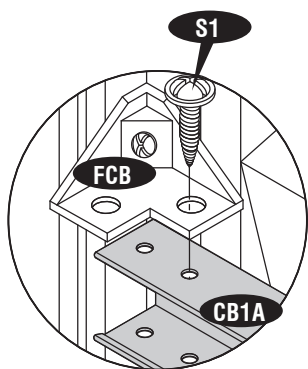


Fig.1

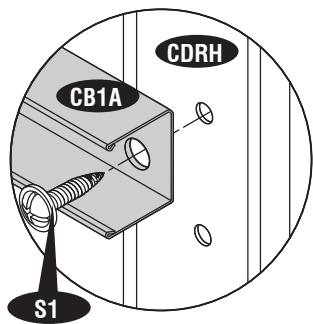
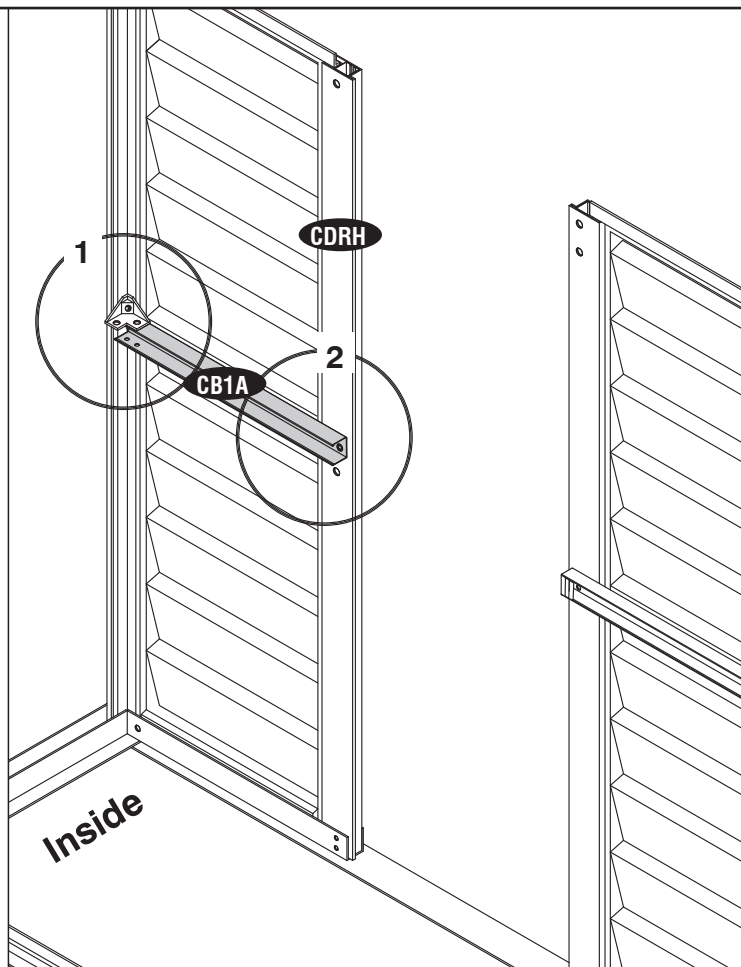


Fig.2



27

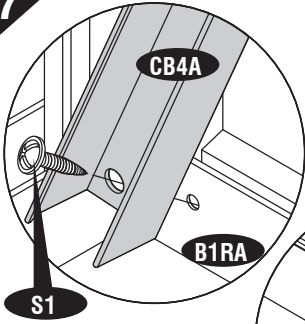


Fig.1

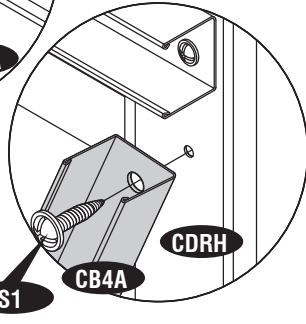


Fig.2

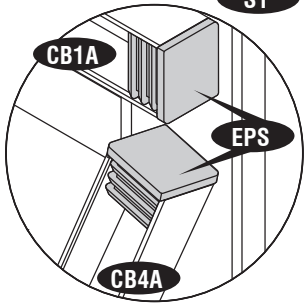
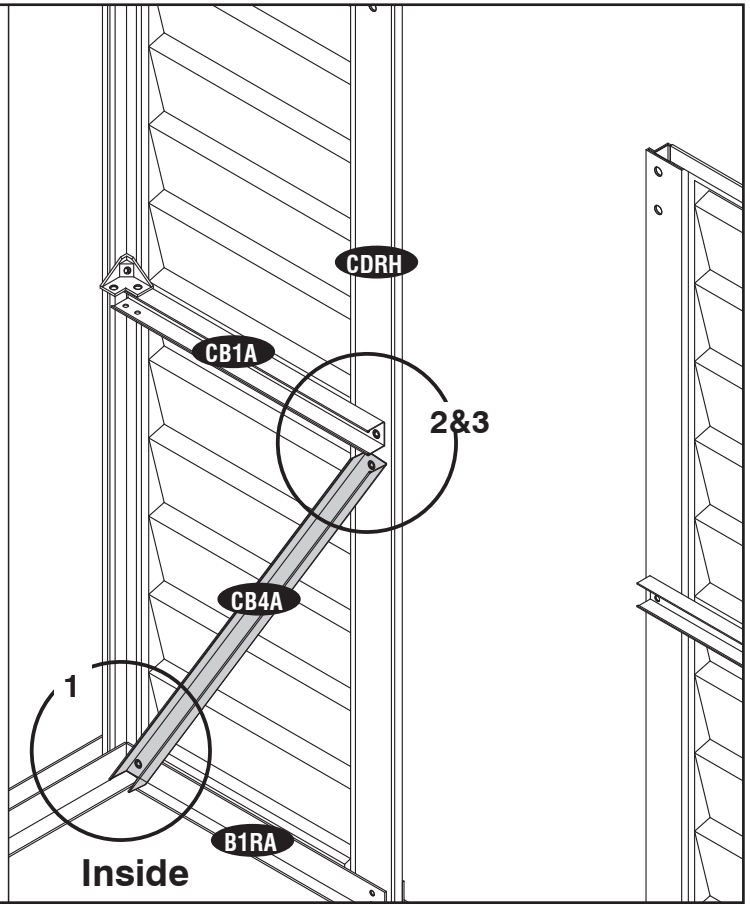
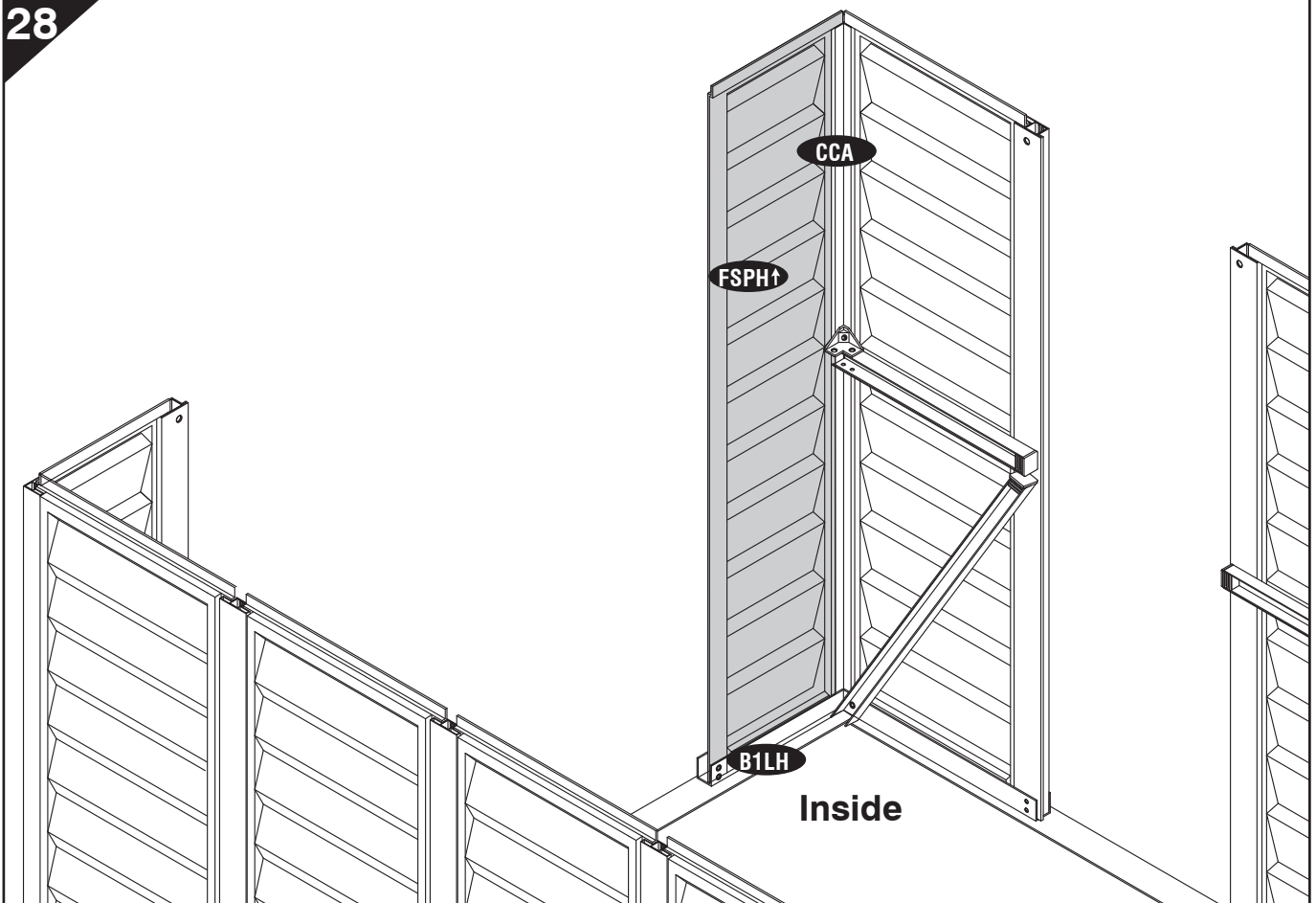


Fig.3



28



27

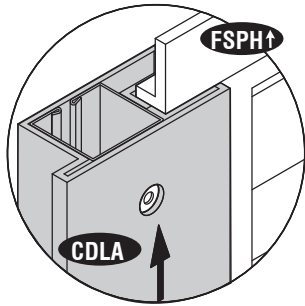


Fig.1

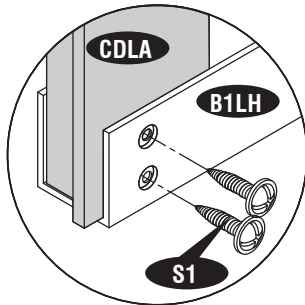
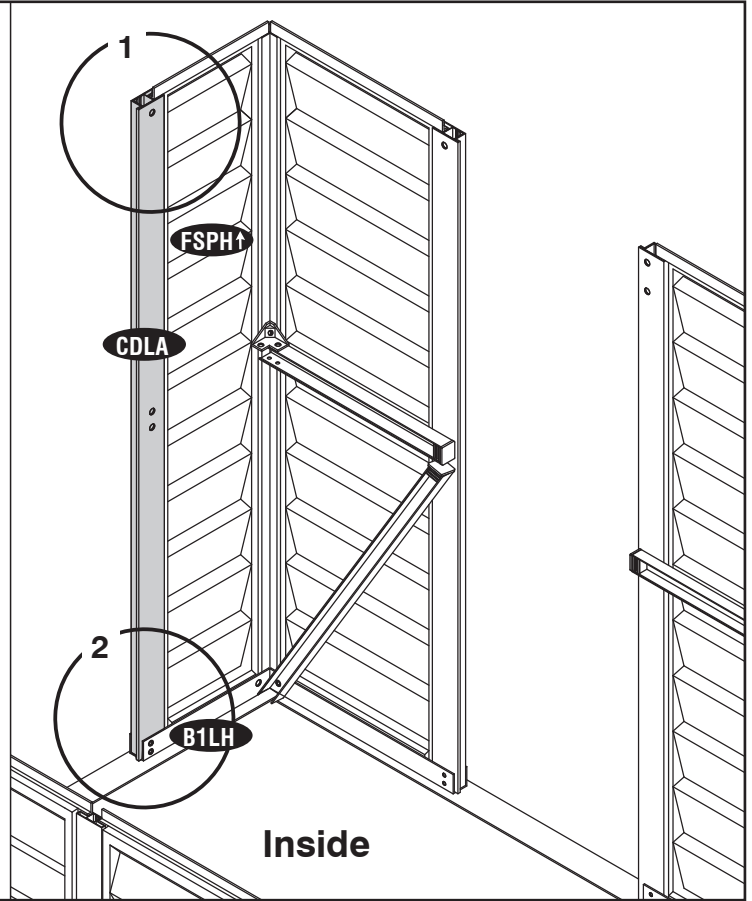


Fig.2



Inside

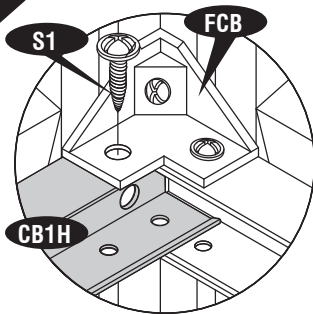


Fig.1

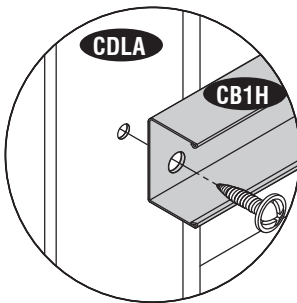


Fig.2

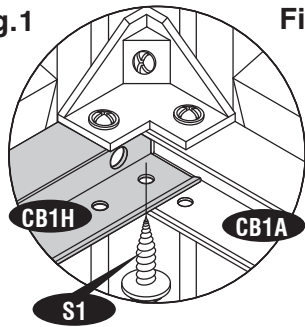
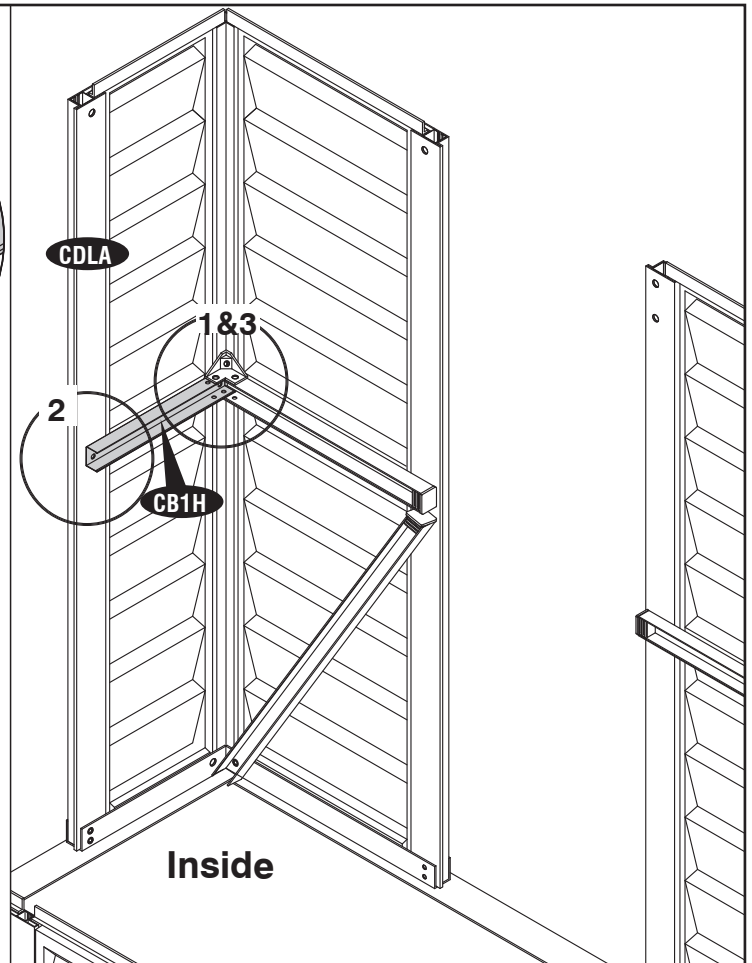


Fig.3



Inside



Note After completing the center band assembly, fully tighten the four center band fittings (FCB) to the corner column (CCA).

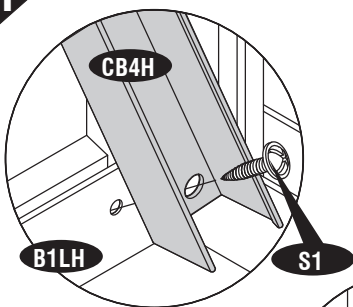


Fig.1

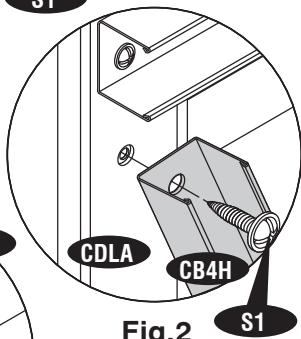


Fig.2

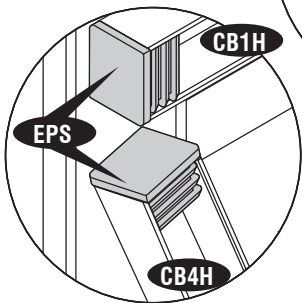
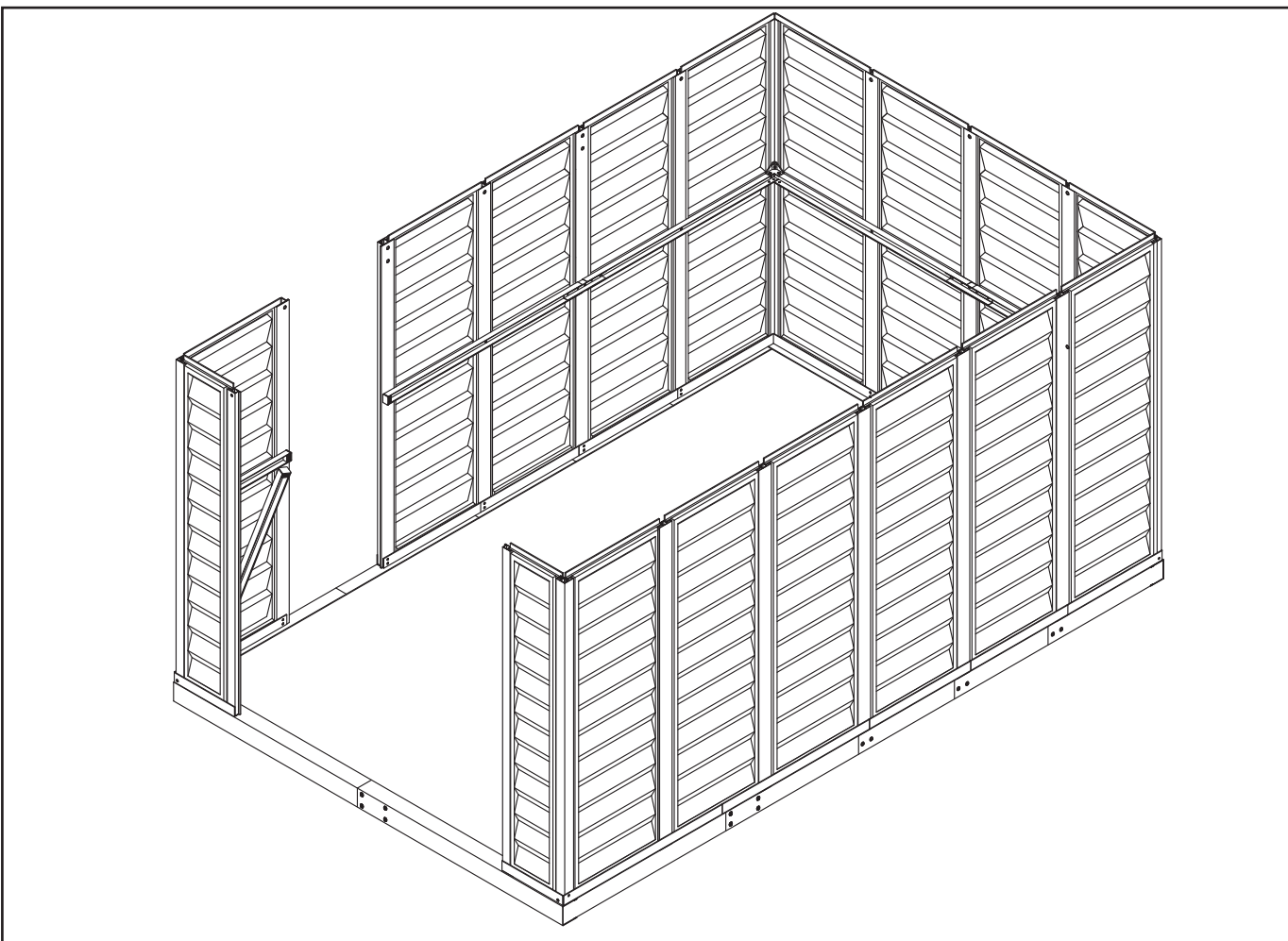
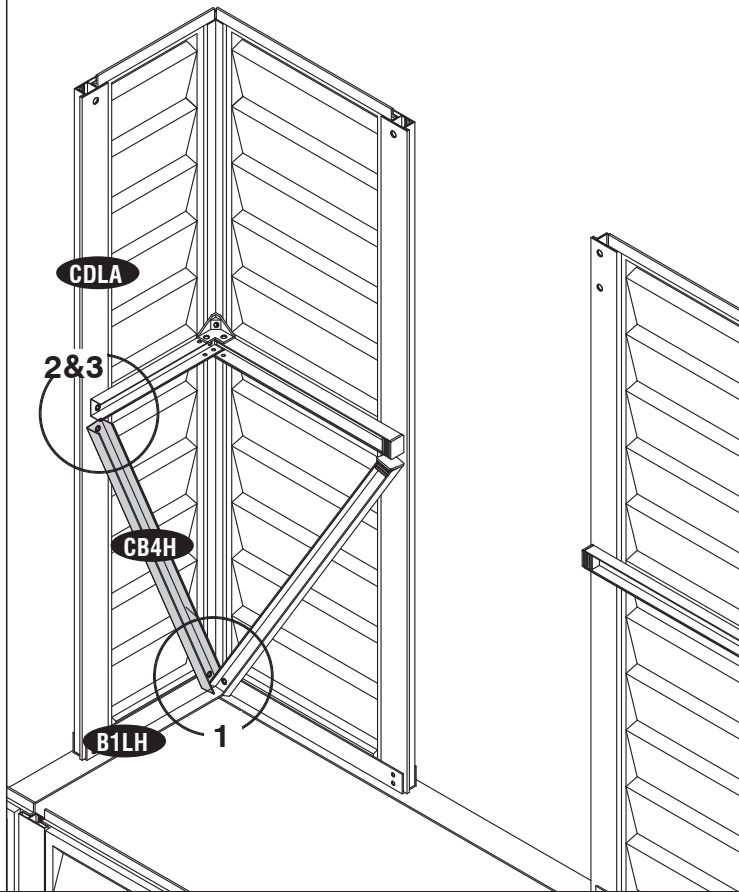


Fig.3

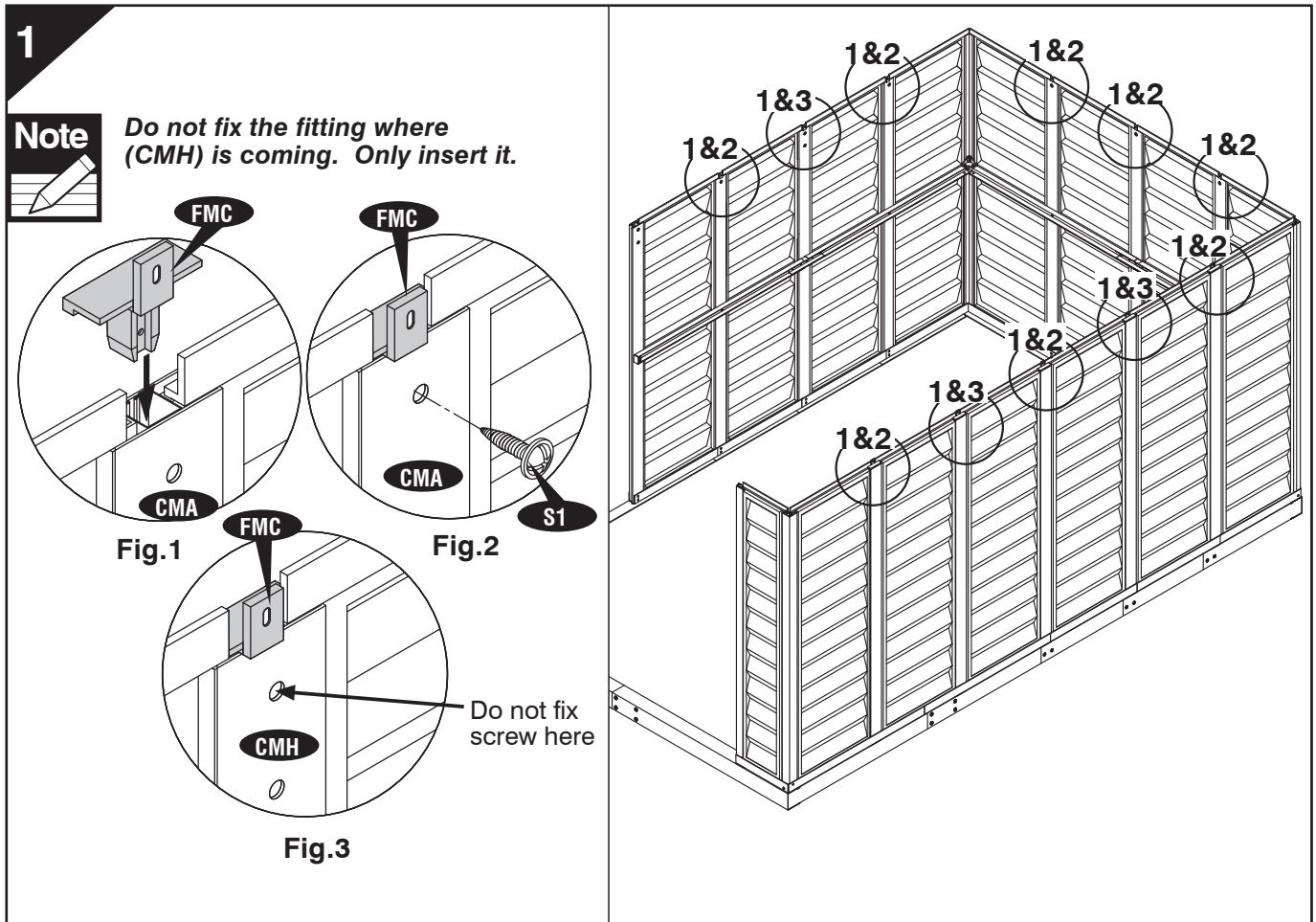


C. Roof Frame

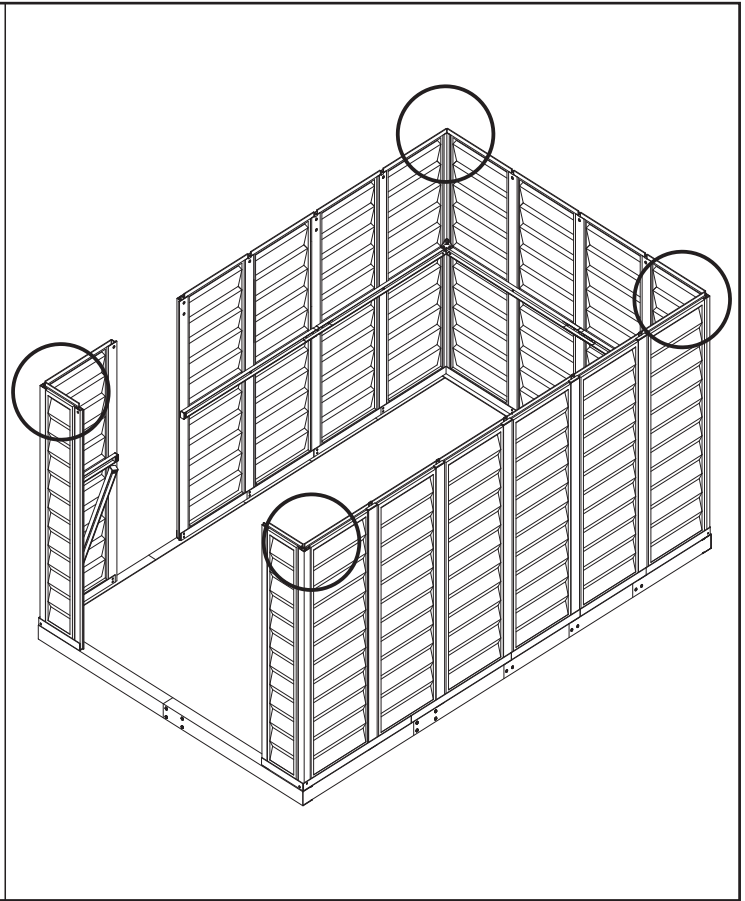
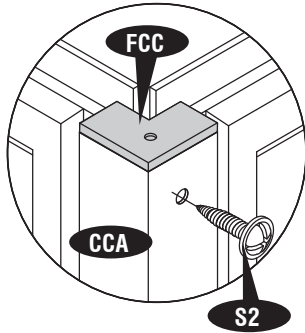
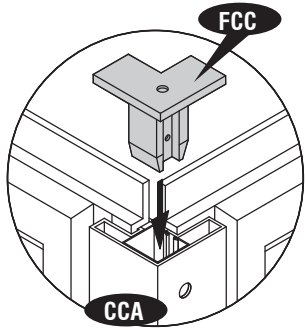


Parts Needed:

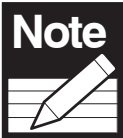
| CODE | QTY | CODE | QTY |
|-------|-----|-------|-----|
| RS1H | 4 | RS15L | 2 |
| RS8H | 4 | RS15R | 2 |
| RS9H | 4 | DSHH | 1 |
| MJ | 6 | RS16L | 1 |
| RS3LA | 5 | RS16R | 1 |
| RS3LH | 1 | FDCL | 1 |
| RS5A | 4 | FDCLC | 1 |
| RS6H | 8 | FDCR | 1 |
| RS7H | 8 | FDCRH | 1 |
| RS13A | 8 | FCC | 4 |
| RS2A | 4 | FMC | 11 |
| RS10A | 2 | RJ | 4 |
| RS4XA | 10 | TCH | 8 |
| RS11A | 5 | S1 | |
| RS12A | 3 | S2 | |
| RS19H | 4 | S3 | |
| RS20H | 4 | | |



2



3



Fix only FDCR fitting.

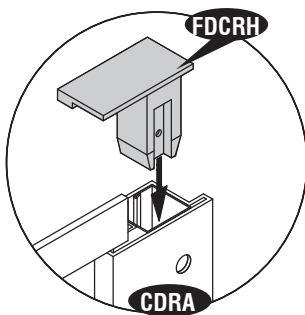


Fig.1

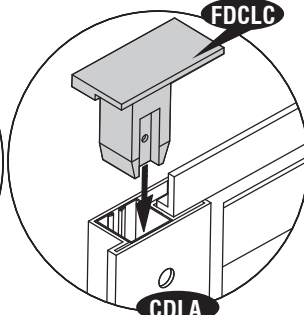


Fig.2

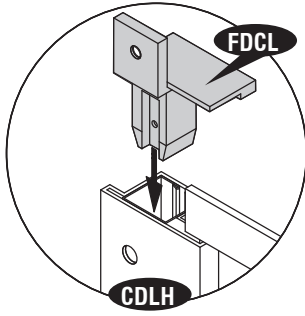


Fig.3

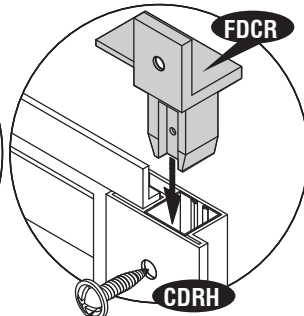
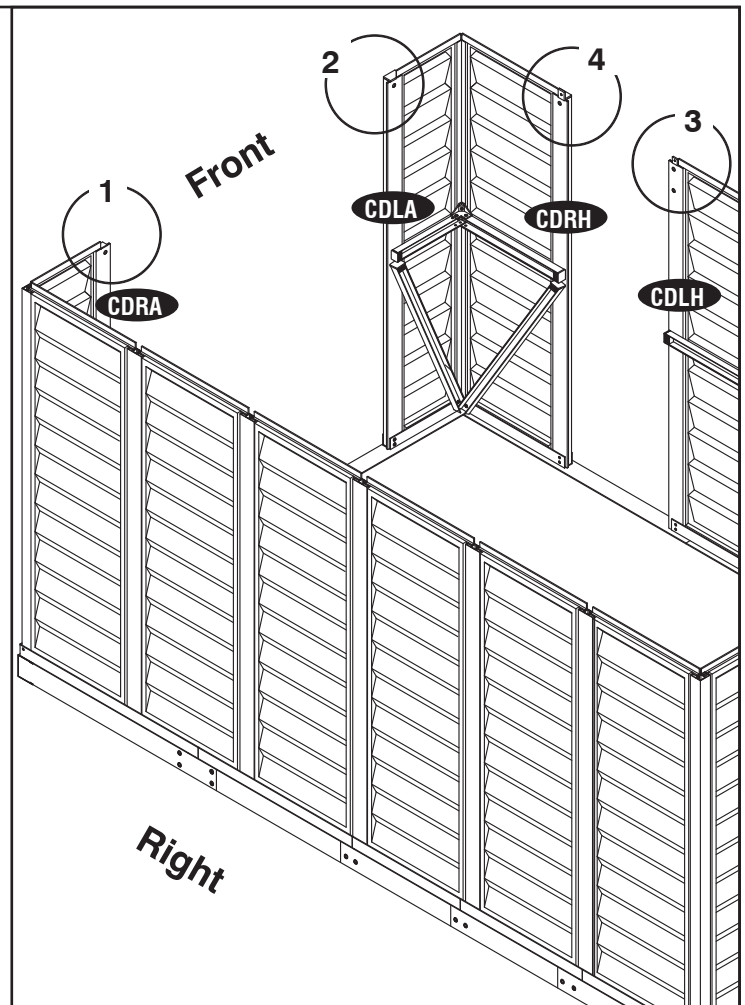
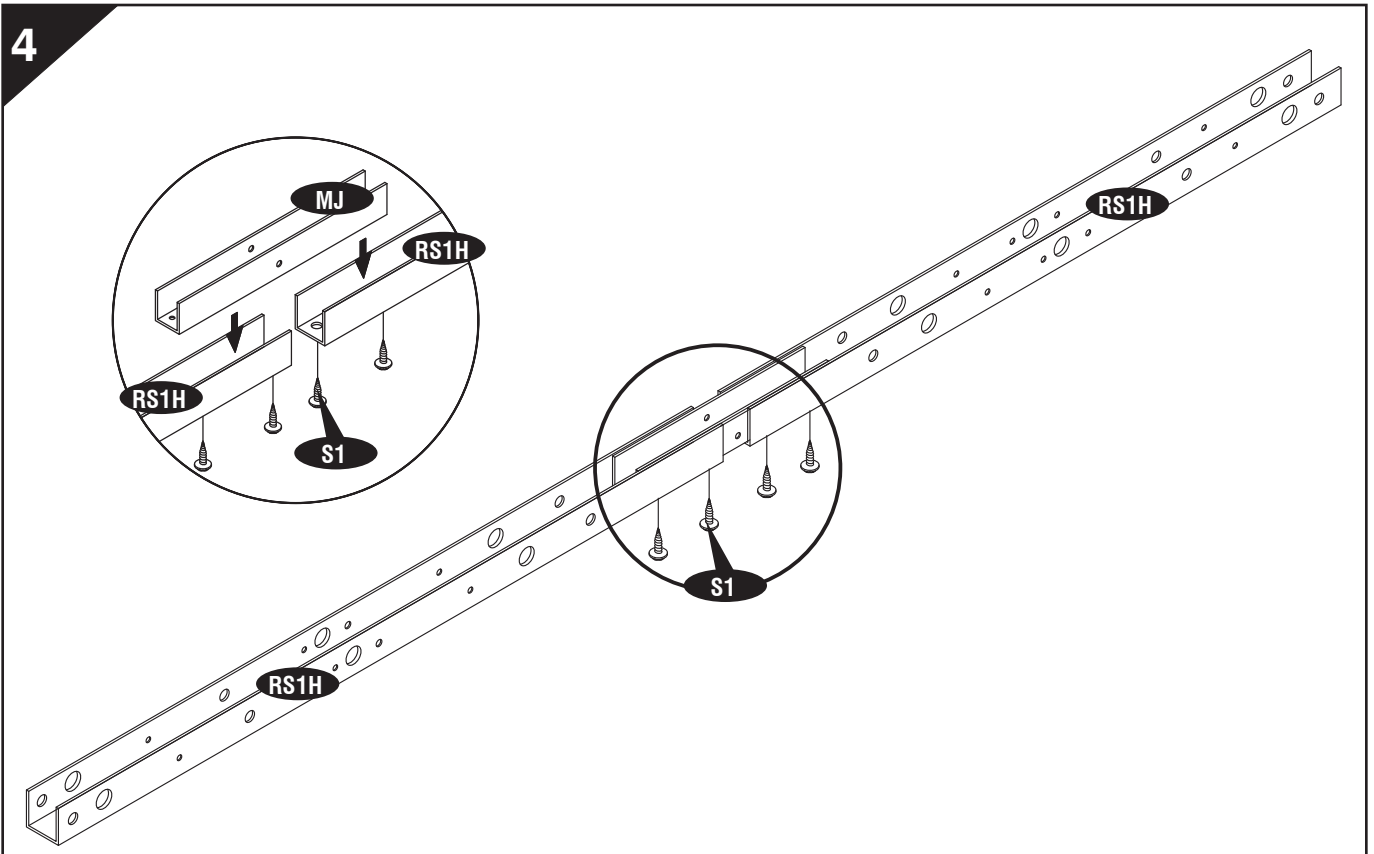


Fig.4

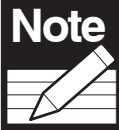


Front roof structure assembly

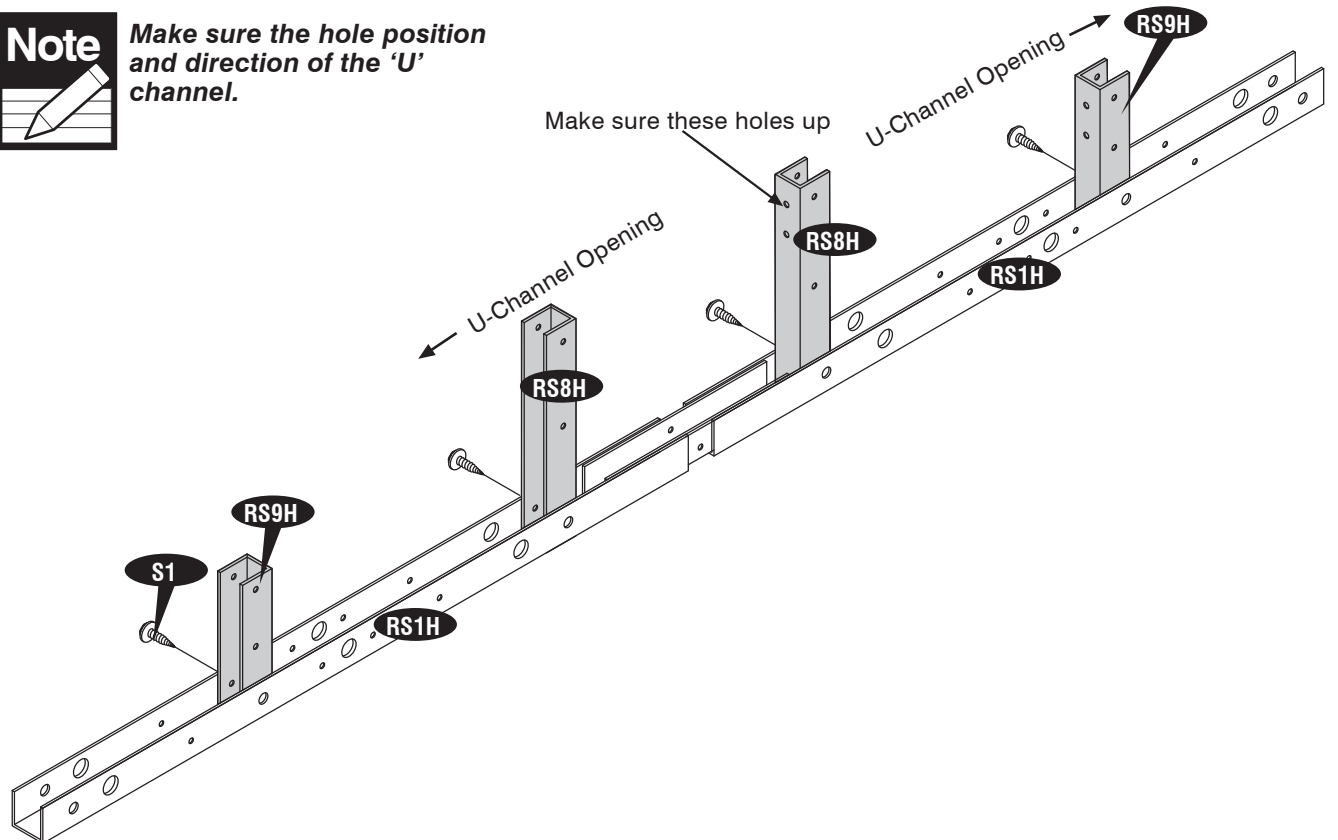
4



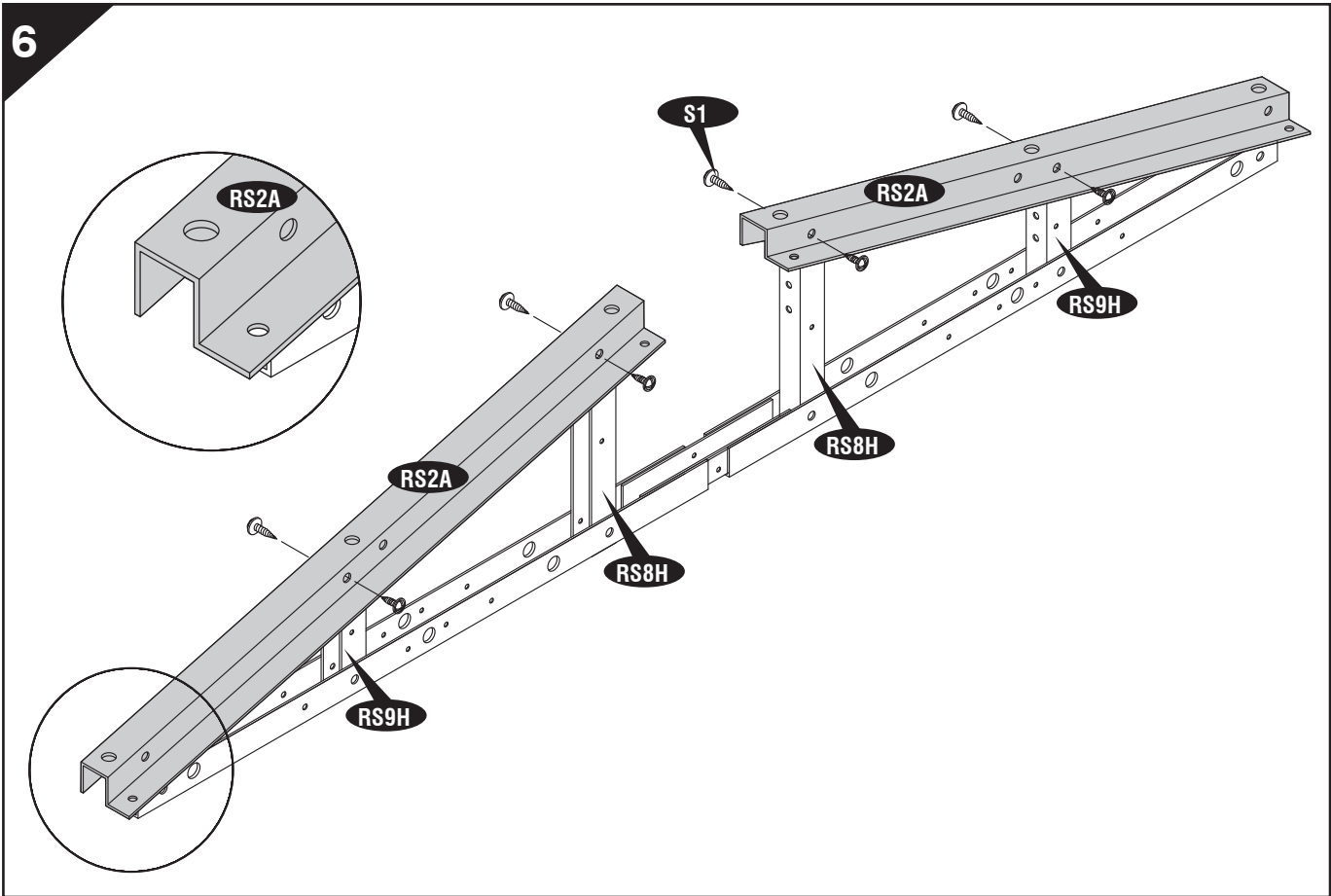
5



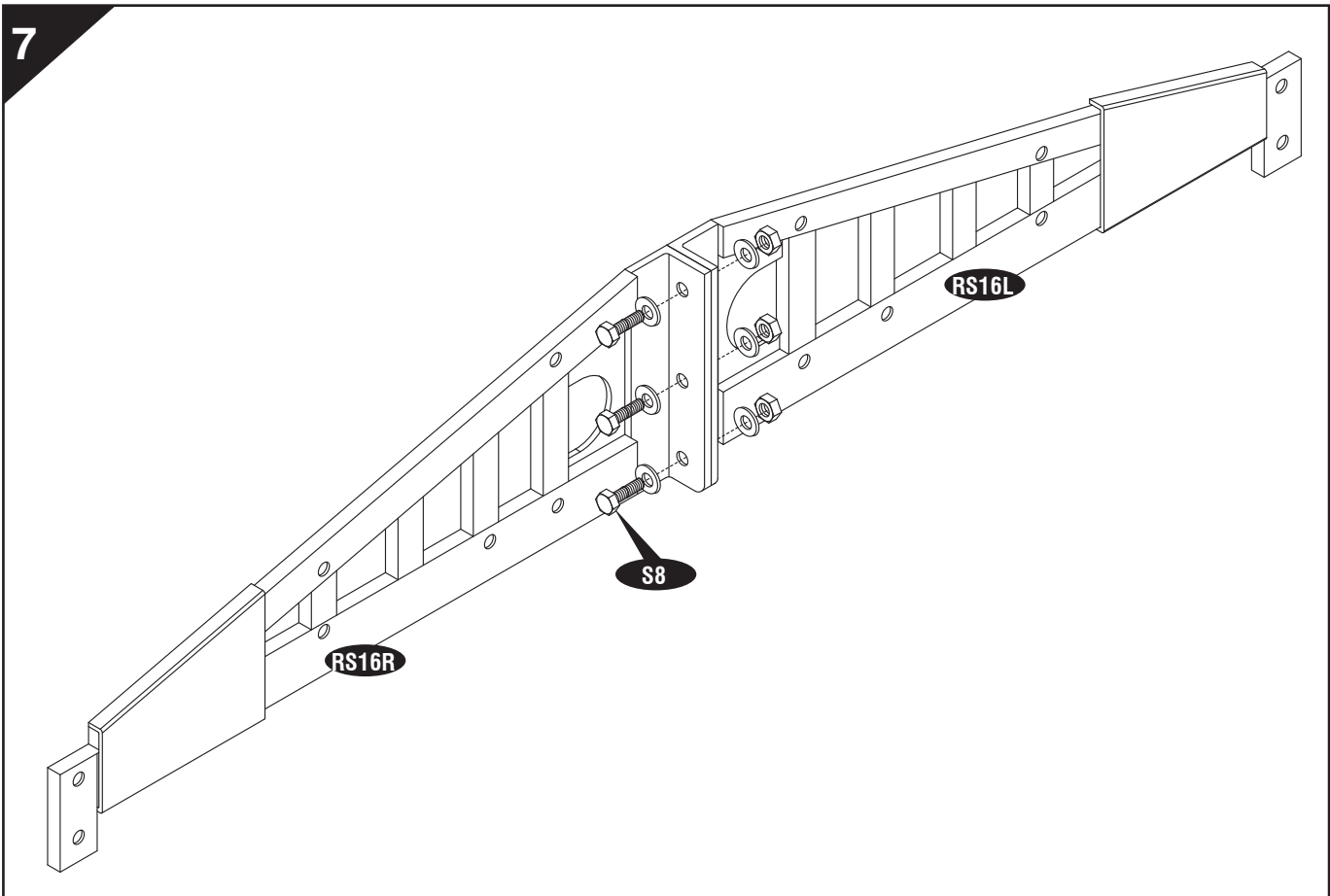
Note Make sure the hole position and direction of the 'U' channel.



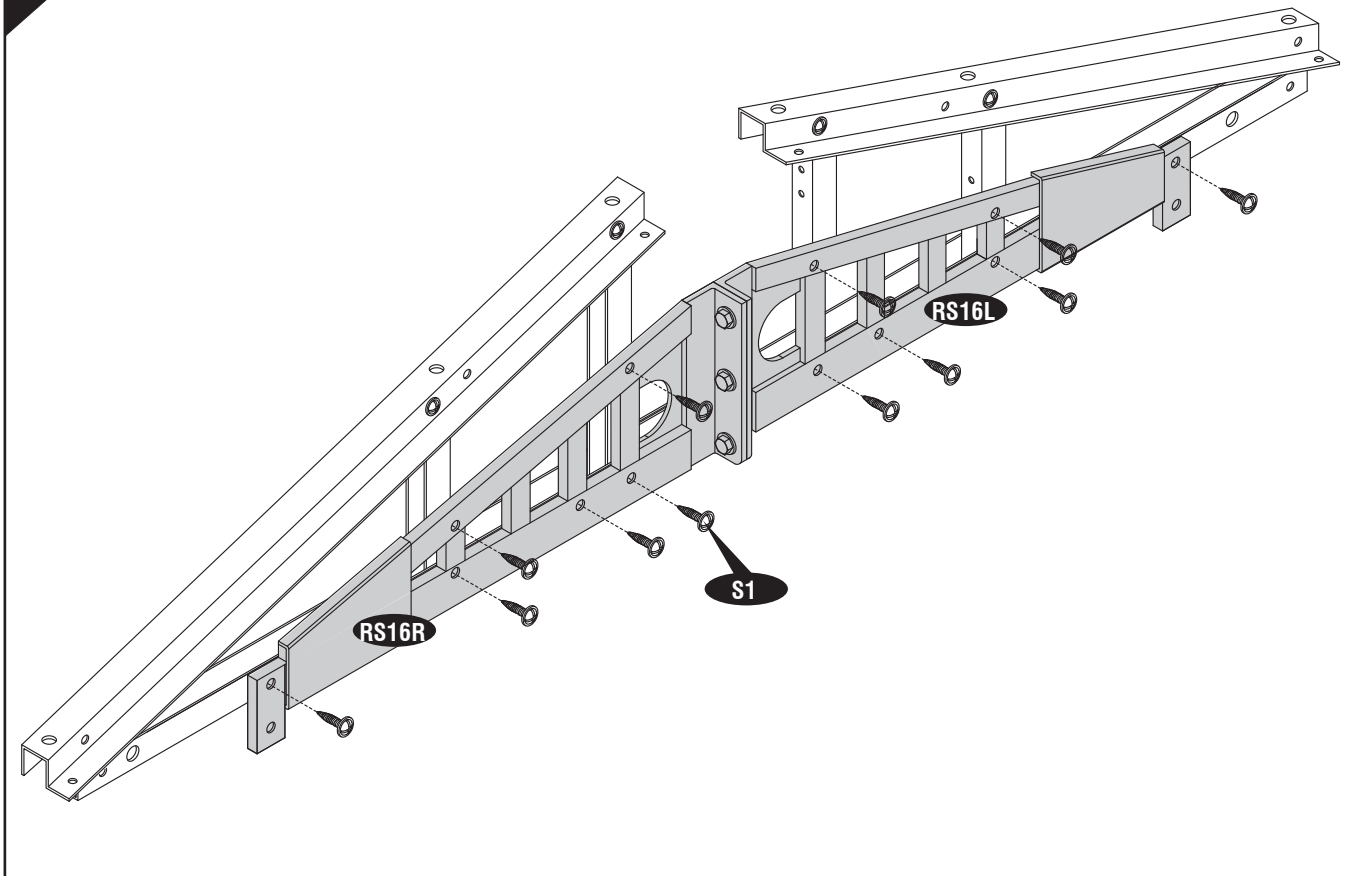
6



7

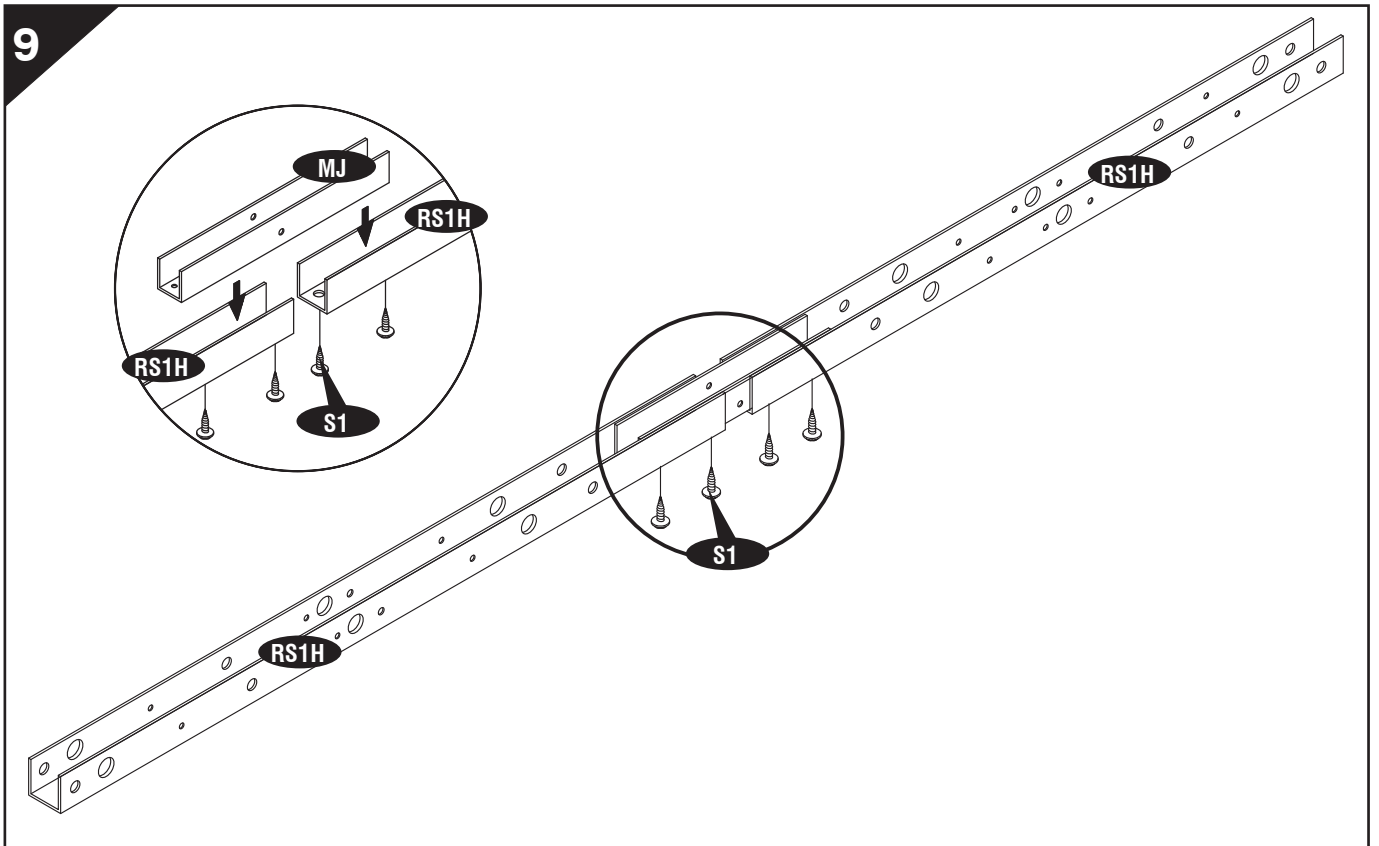


8

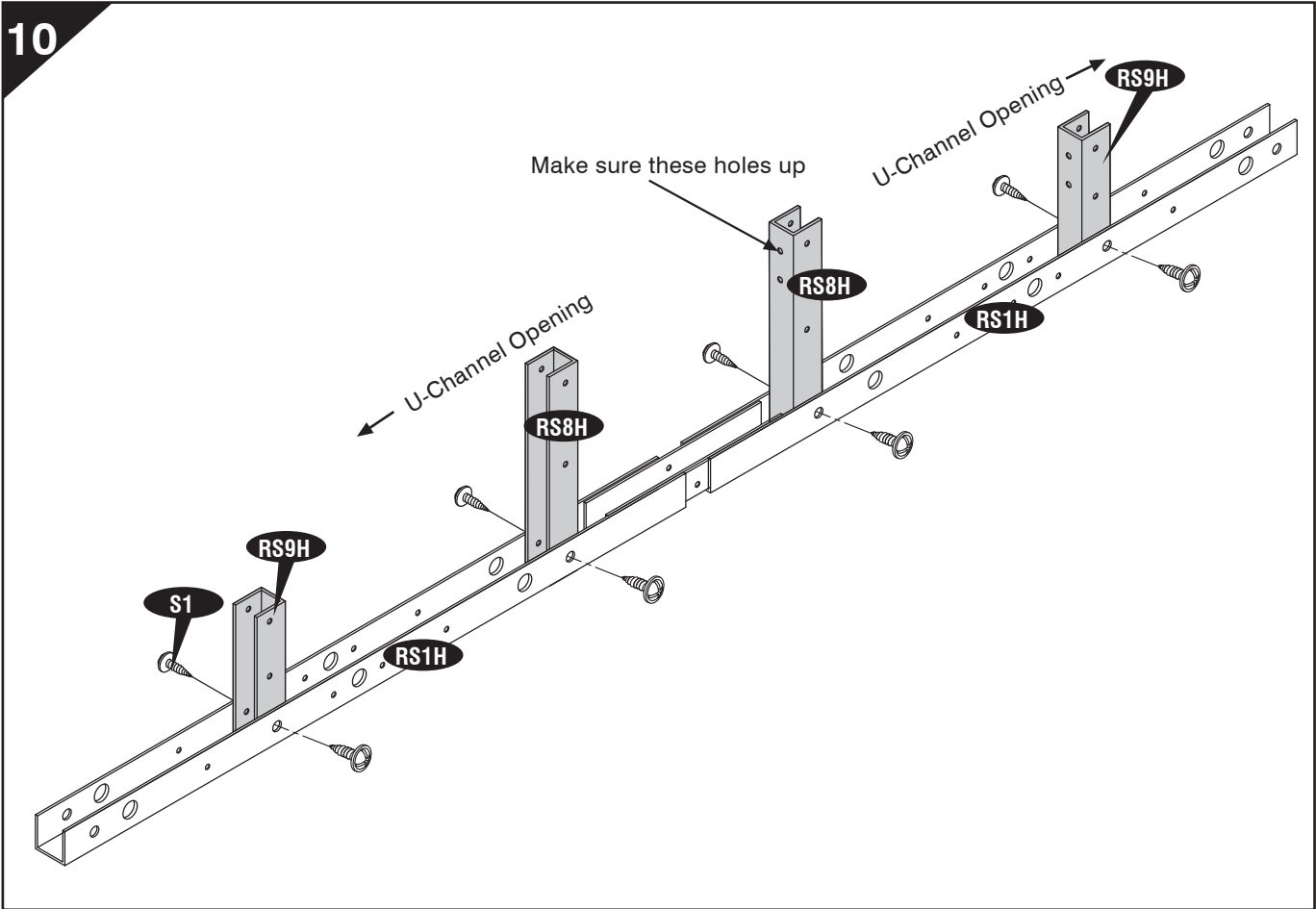


Back roof structure assembly

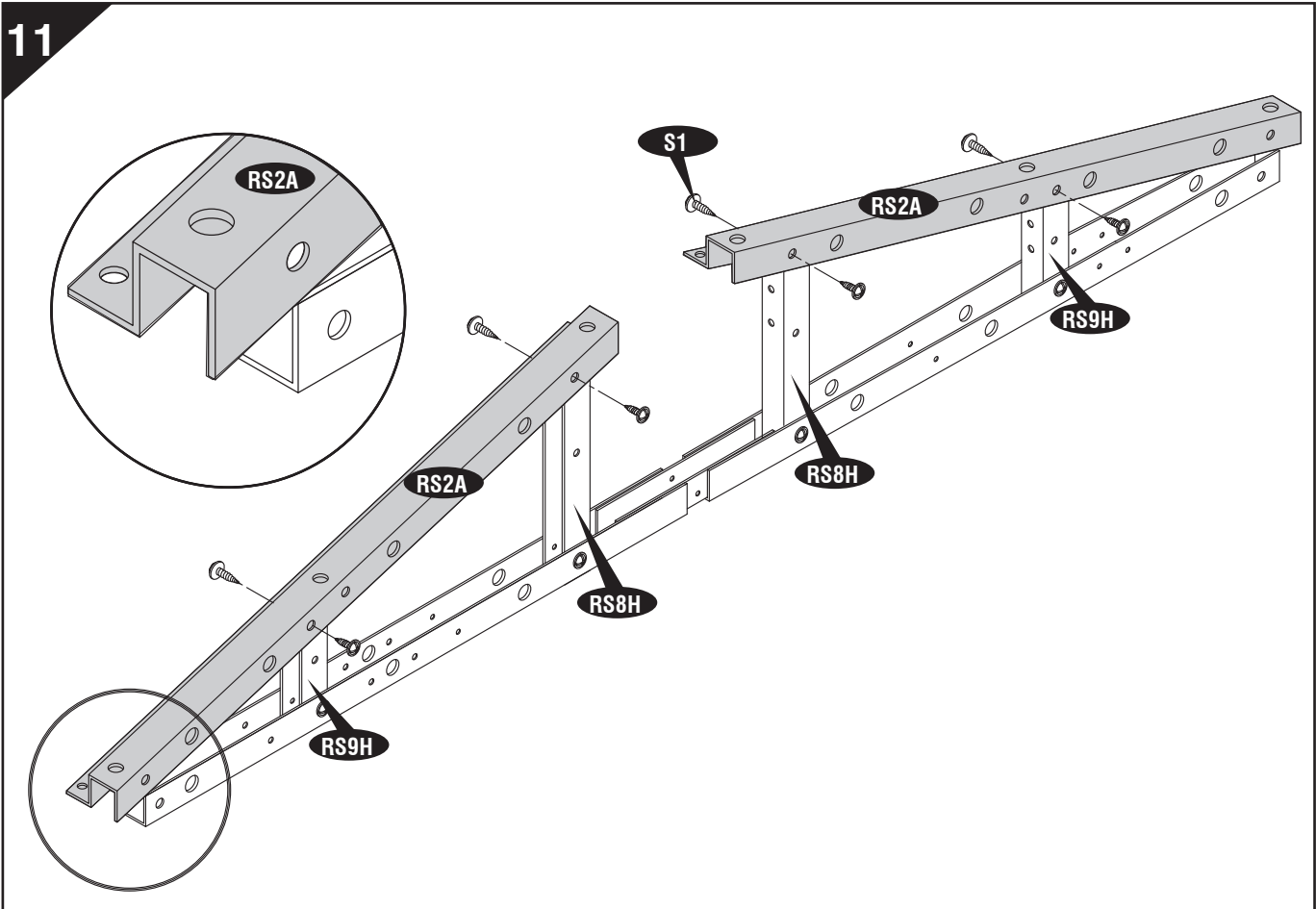
9



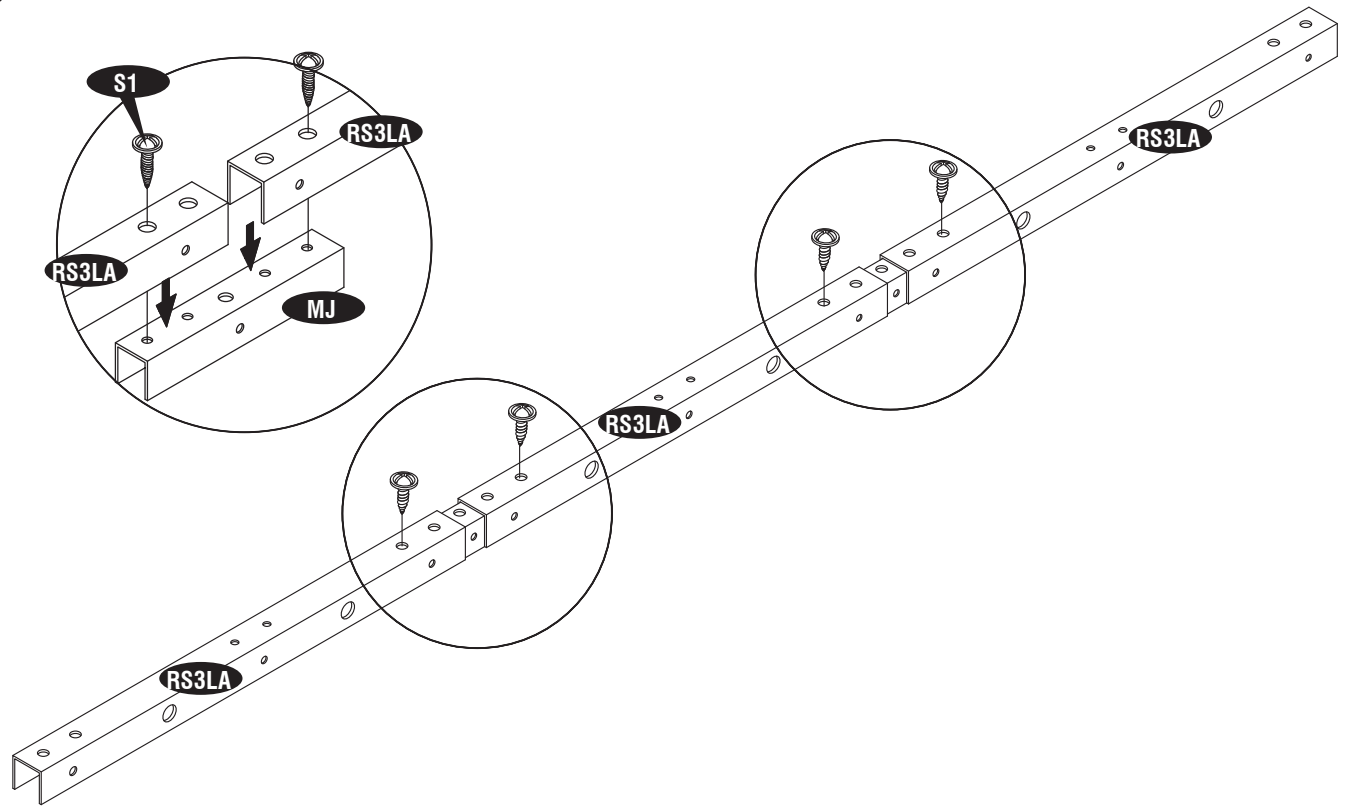
10



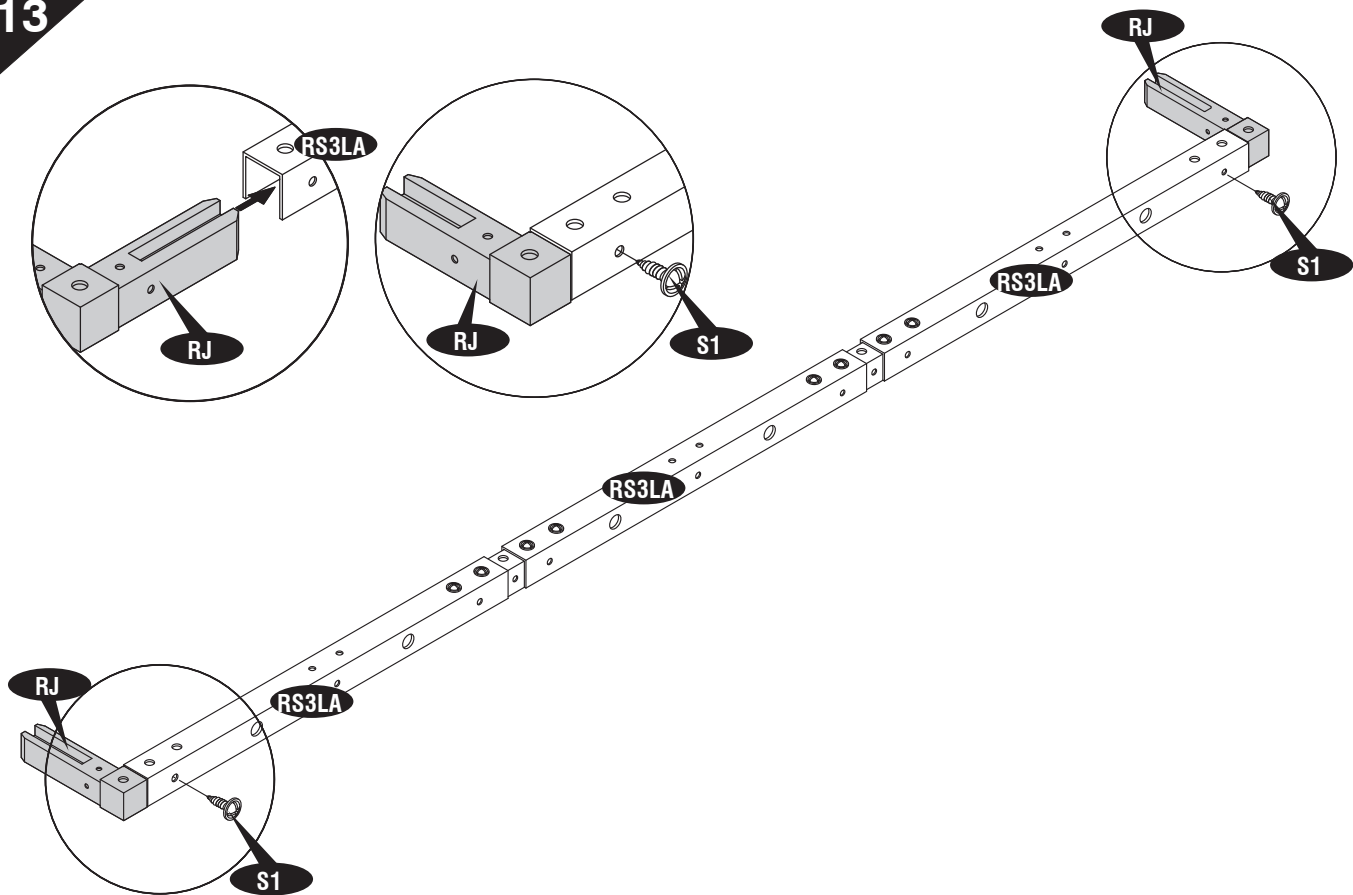
11



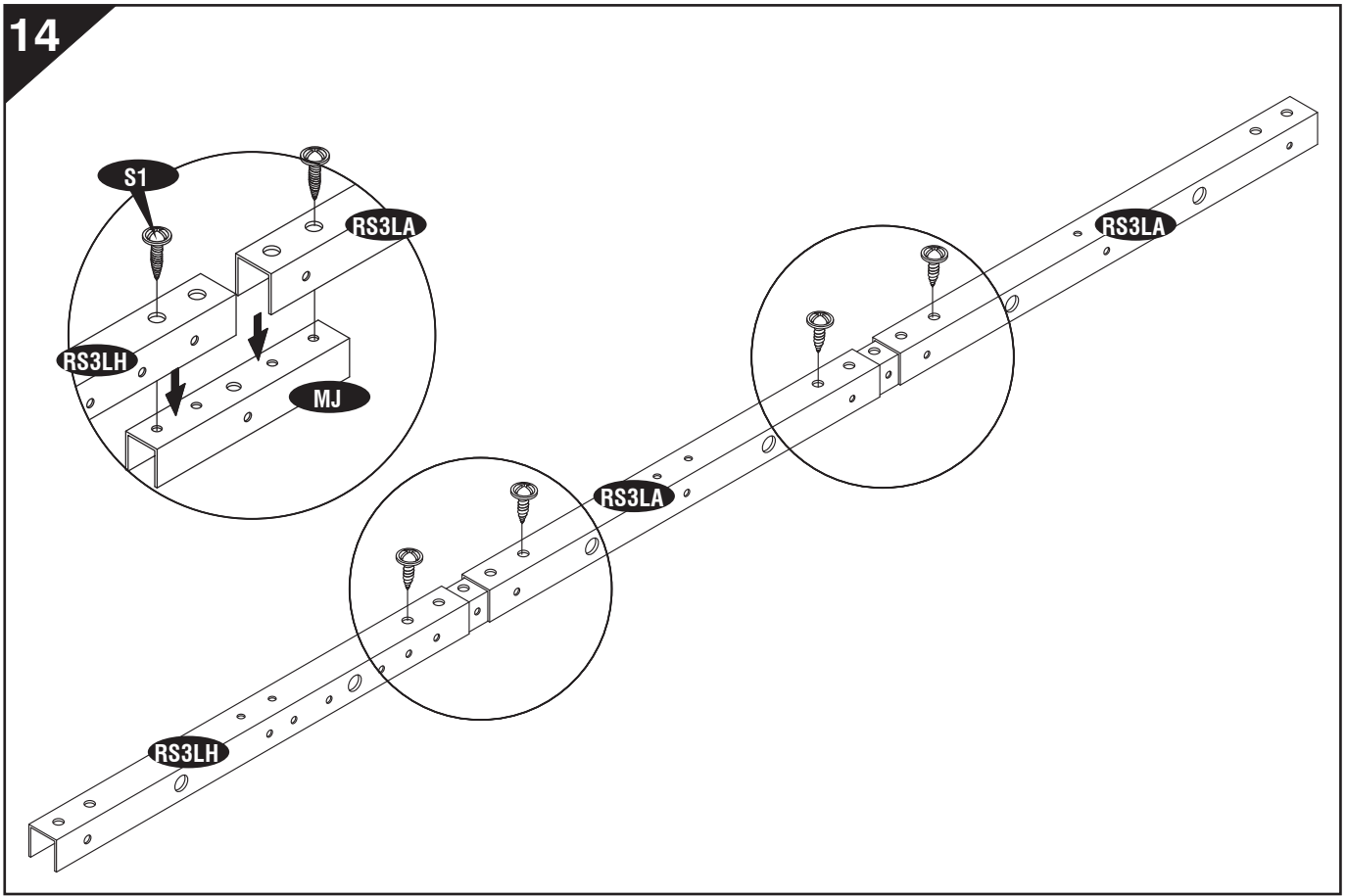
12



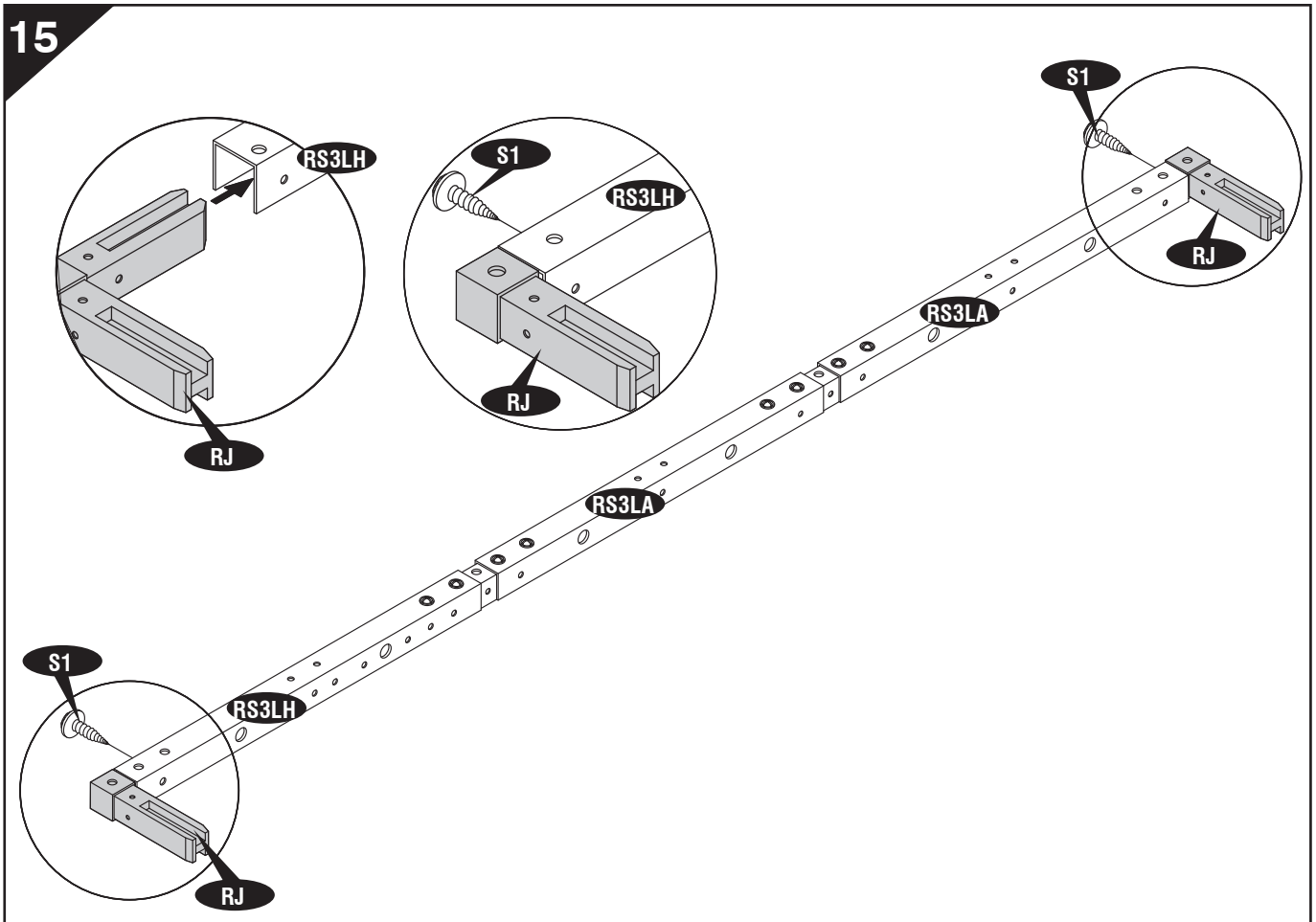
13



14

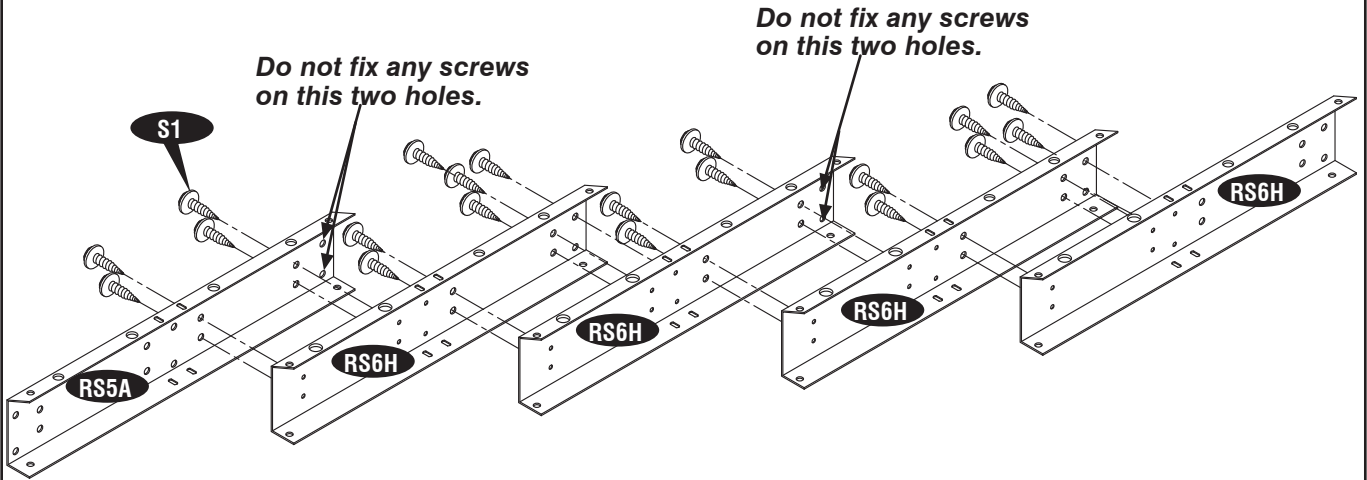


15

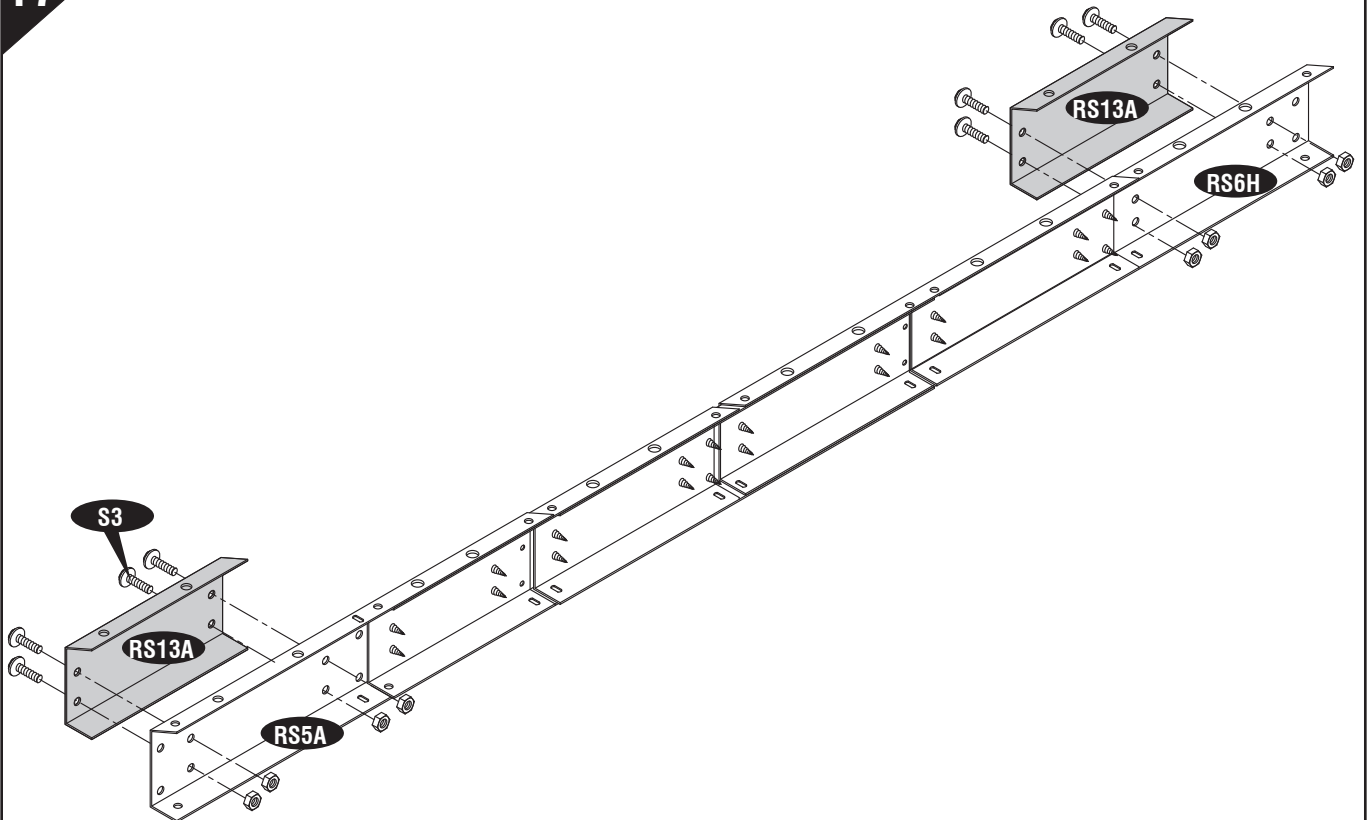


16

Make 2 sets.

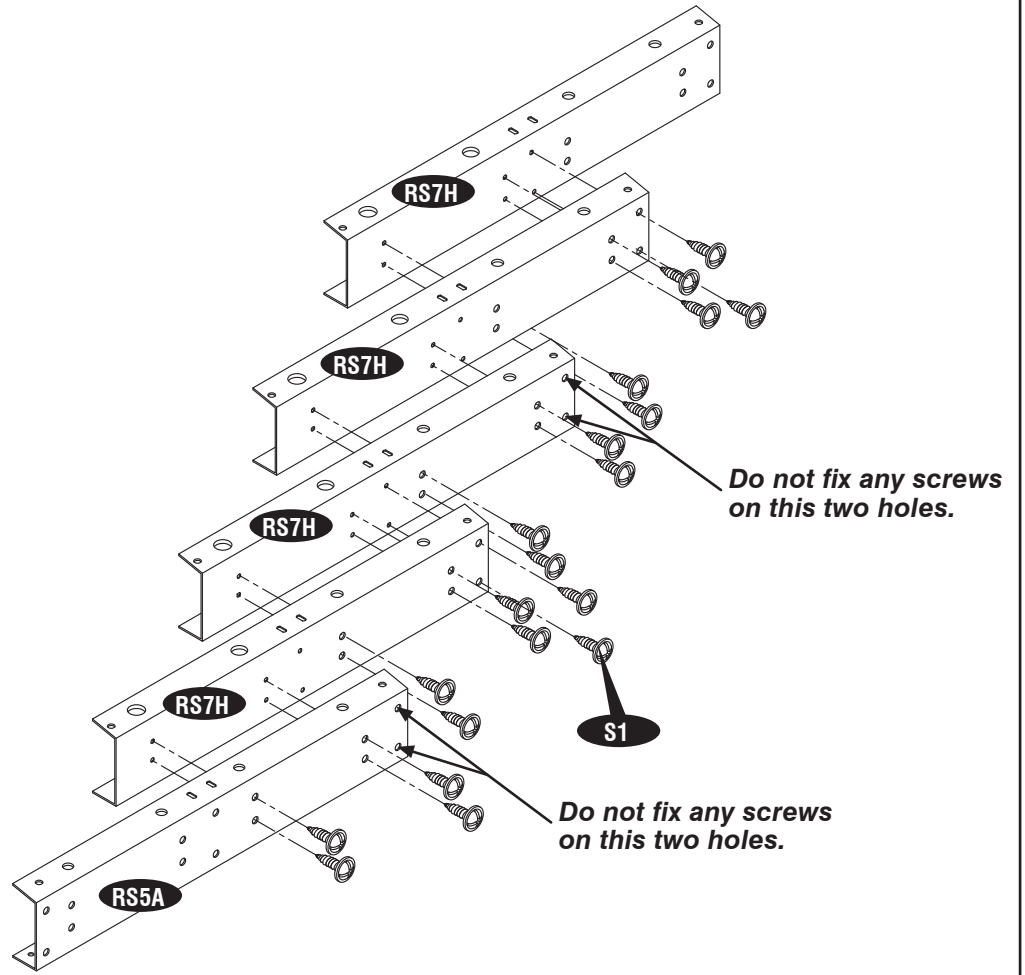


17

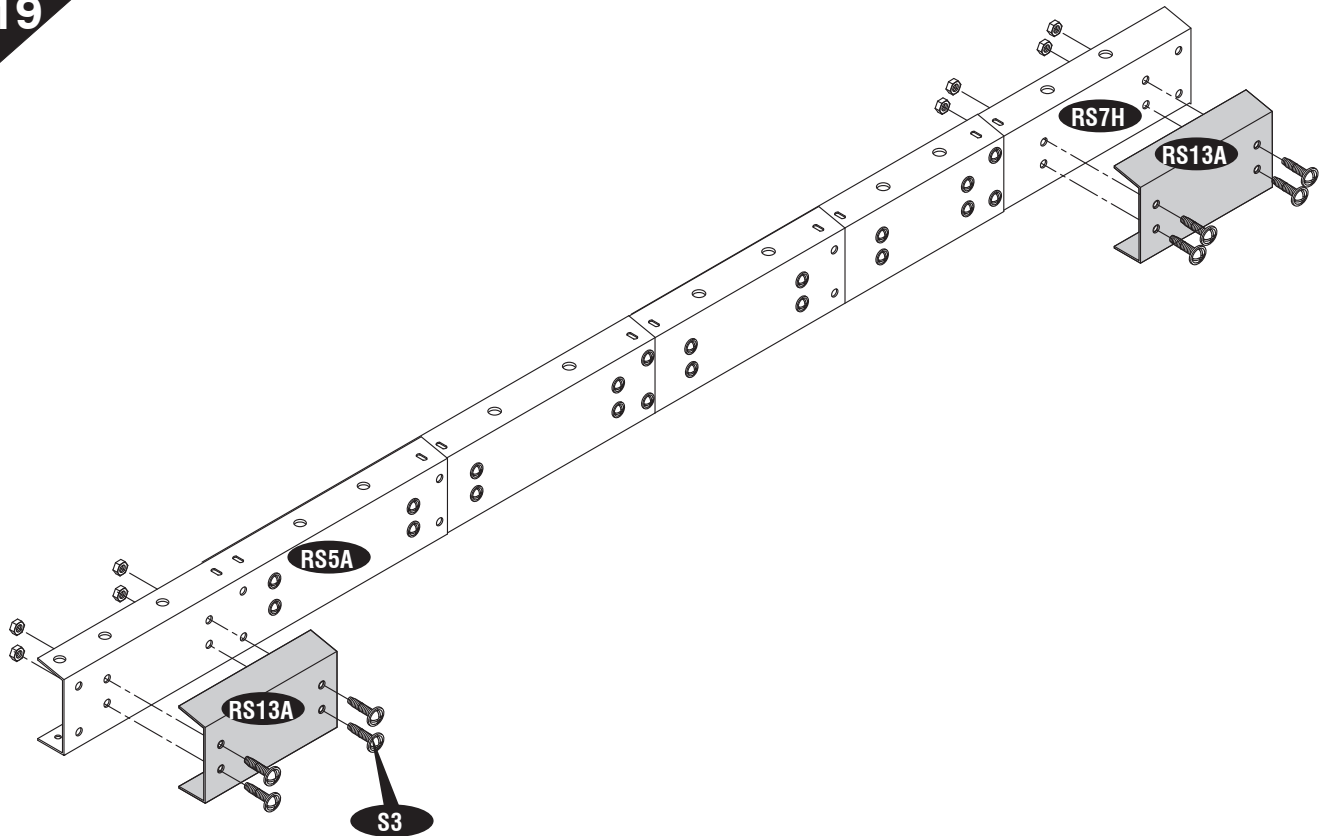


18

Make 2 sets.



19



20

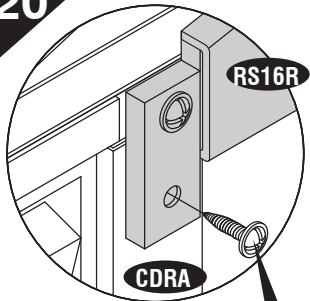


Fig. 1

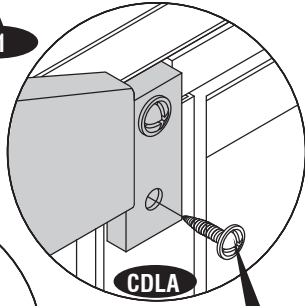


Fig. 2

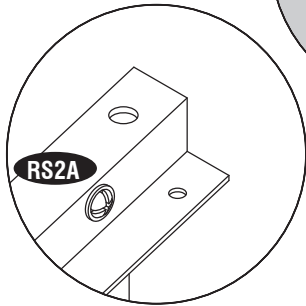
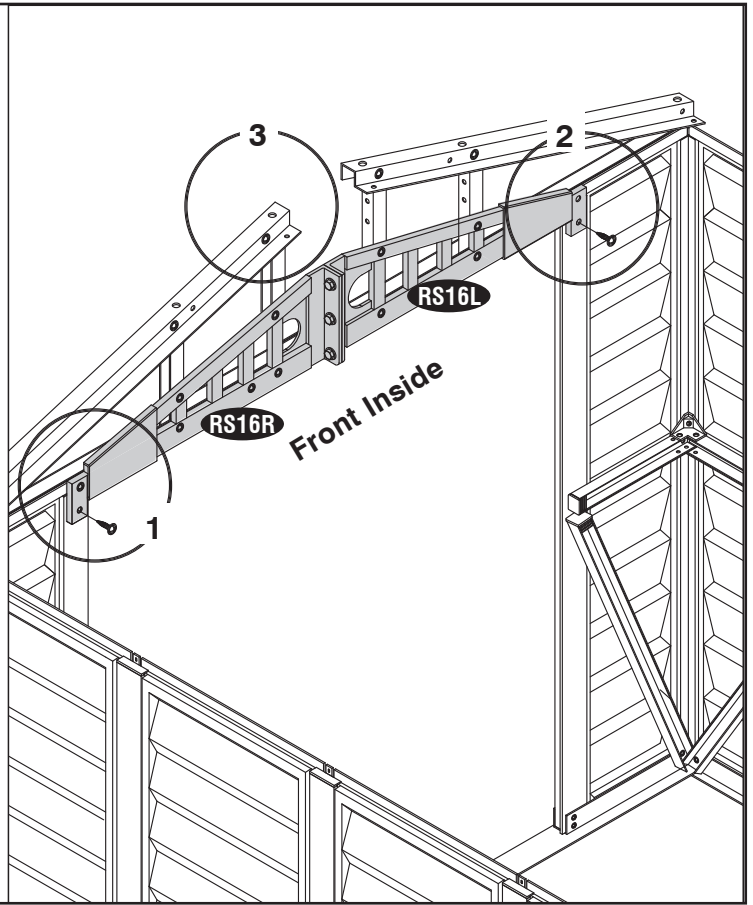


Fig. 3



21

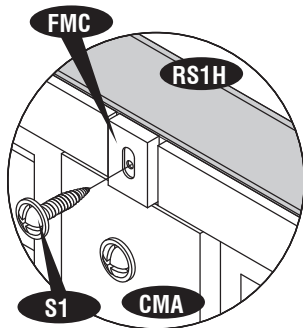


Fig. 1

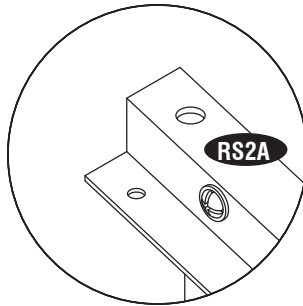
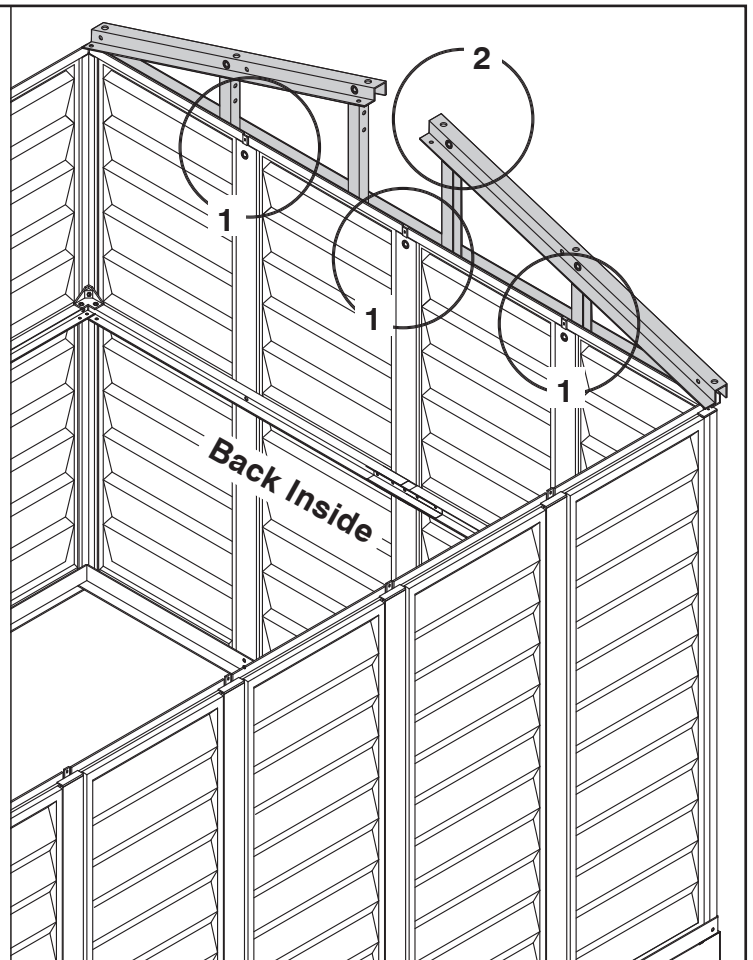


Fig. 2



22

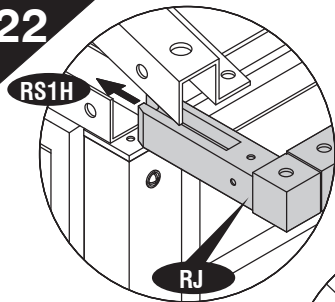


Fig.1

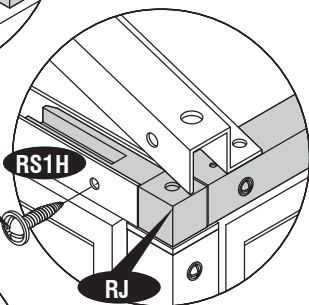


Fig.2

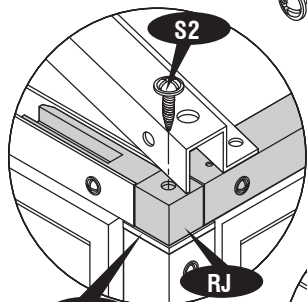


Fig.3

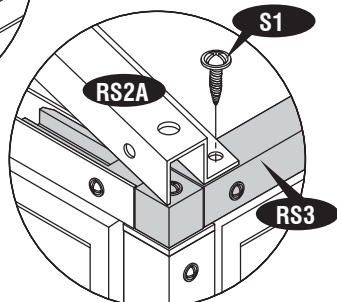
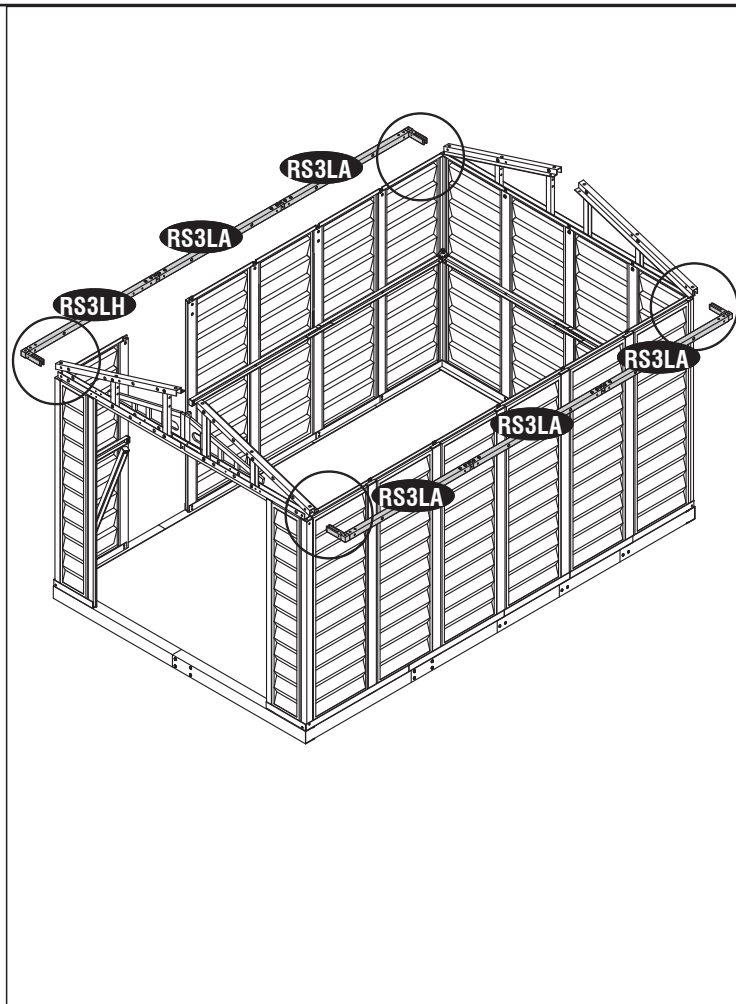


Fig.4



23

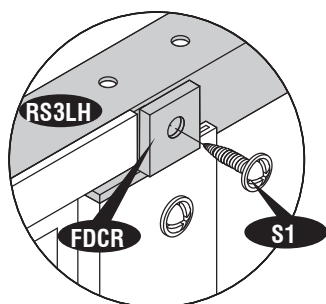


Fig.1

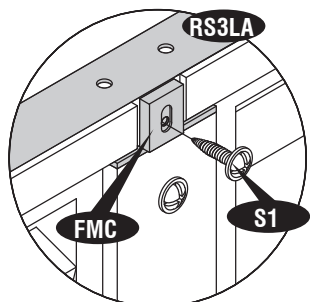
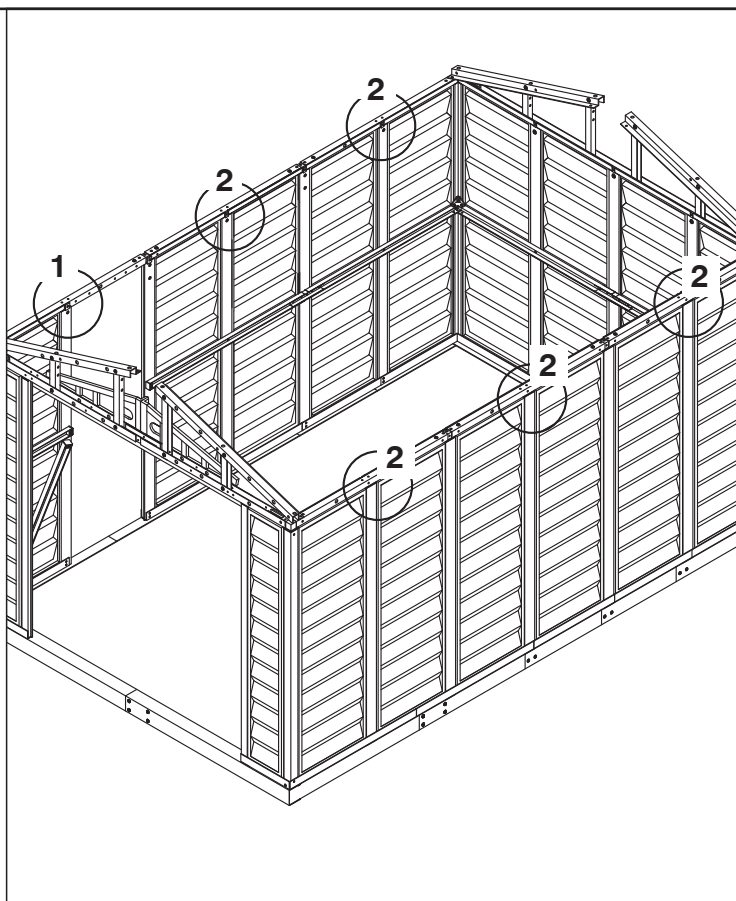


Fig.2



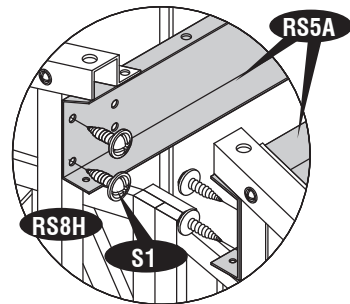
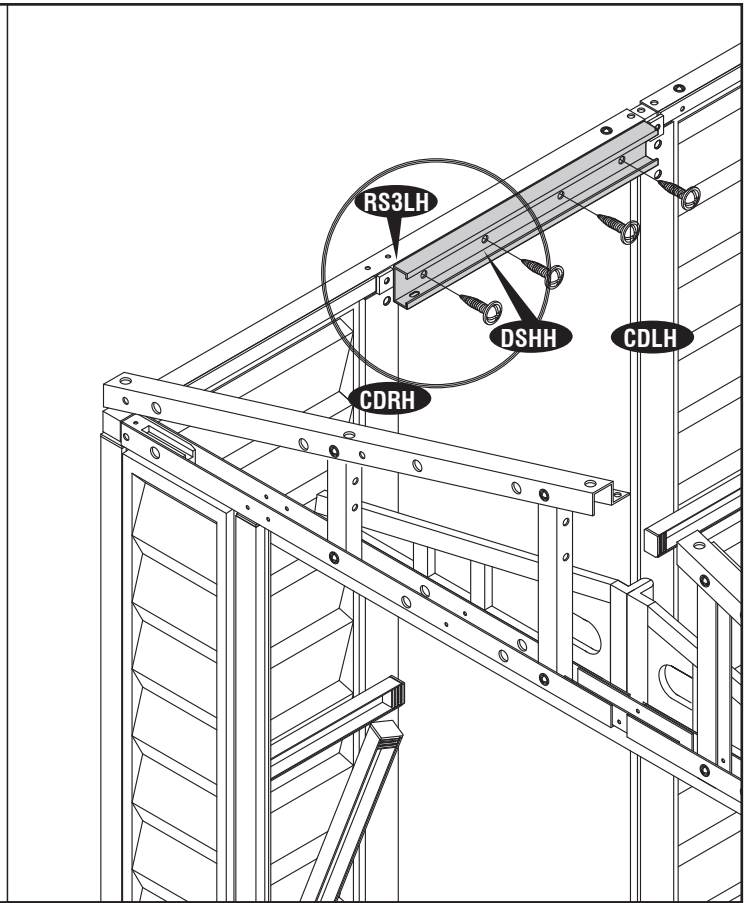
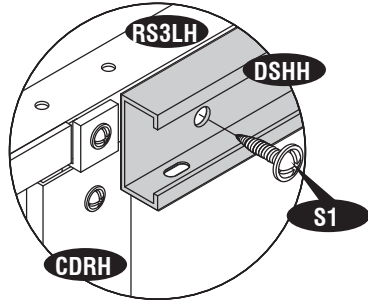


Fig.1

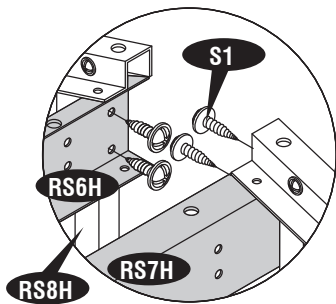
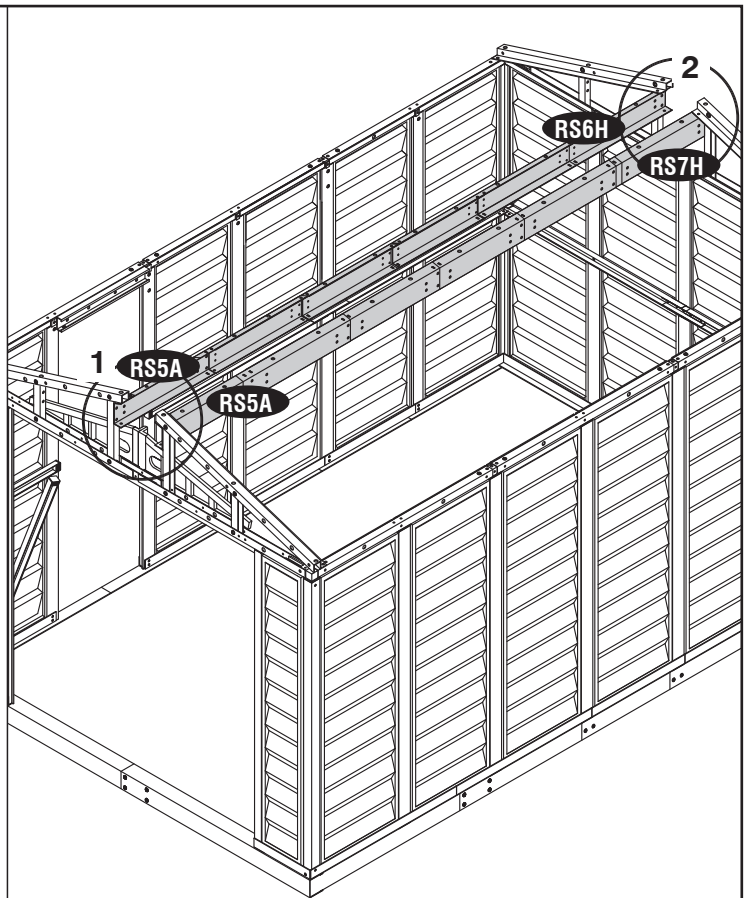


Fig.2



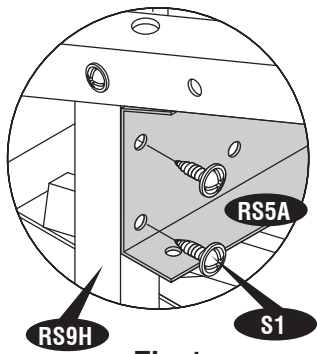


Fig.1

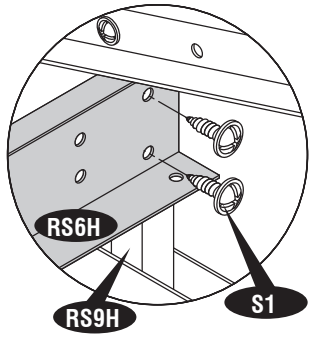
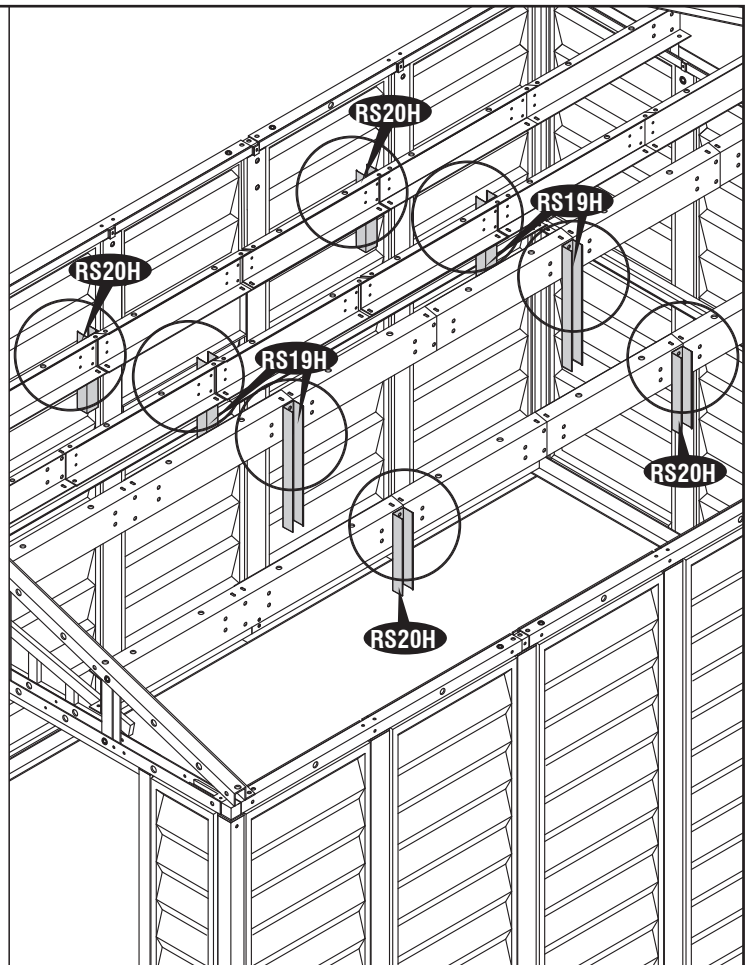
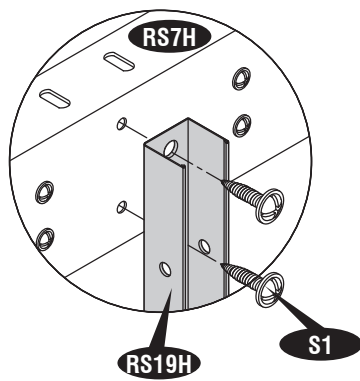
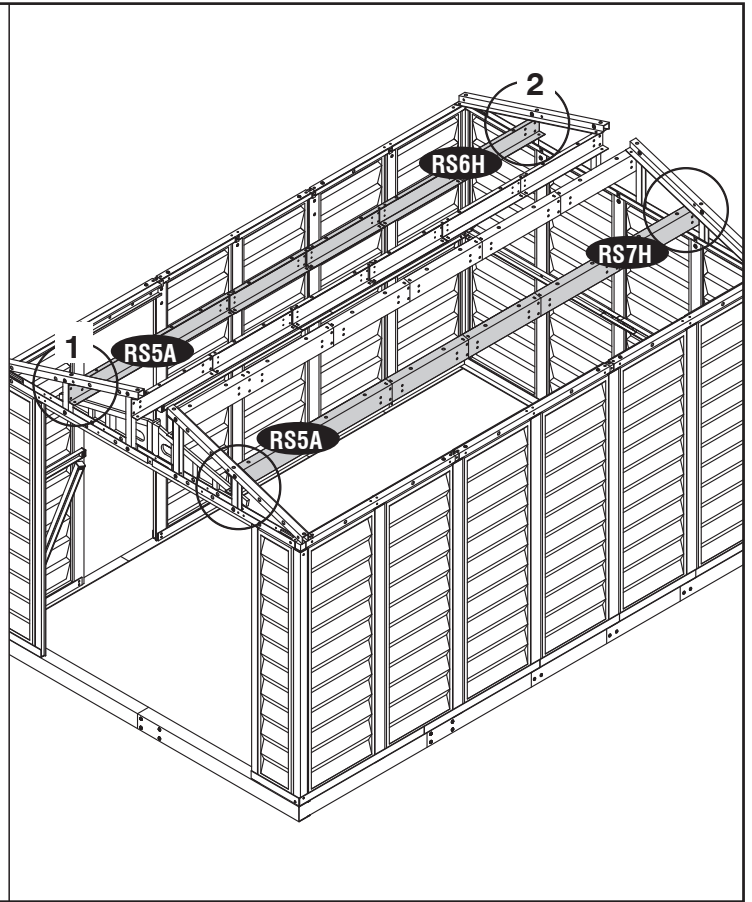


Fig.2



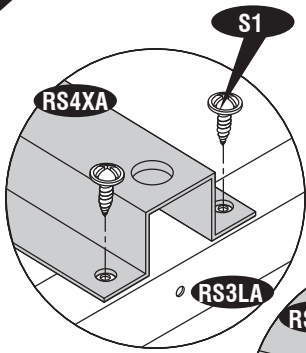


Fig.1

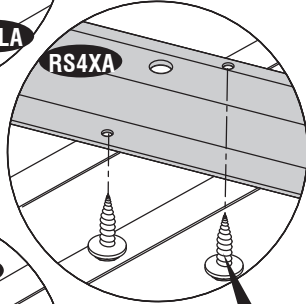


Fig.2

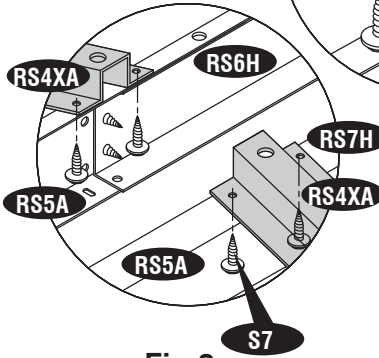
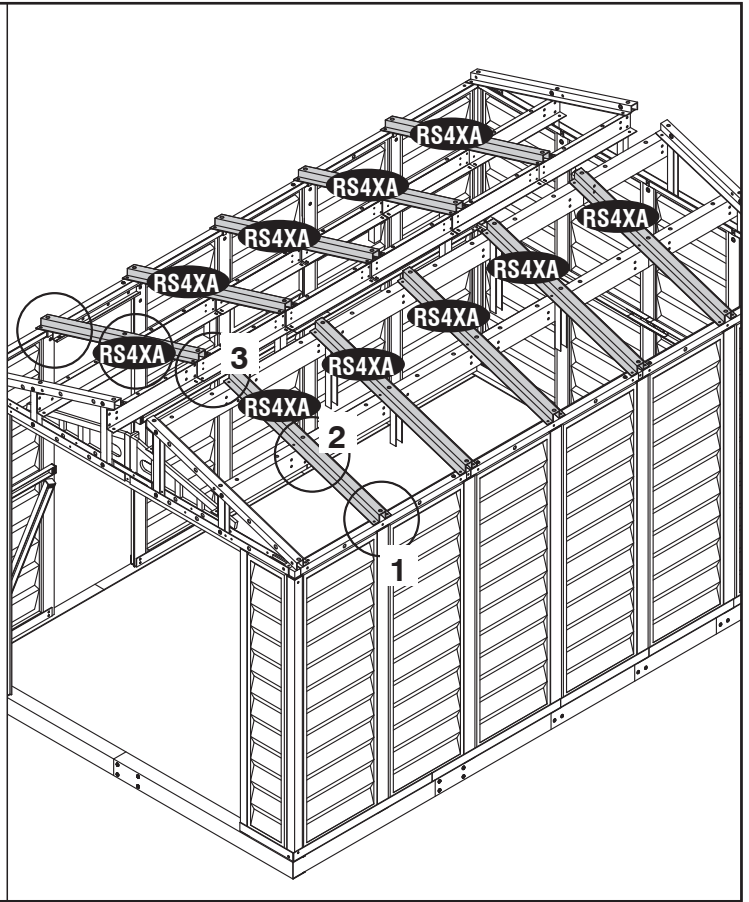


Fig.3



Note

Make sure the hole in (RS10A) facing outside on the both side. Outward on both sides.

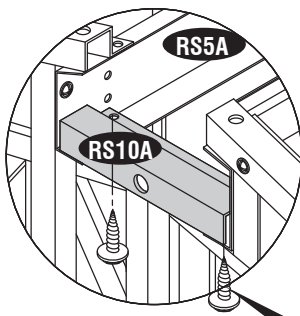


Fig.1

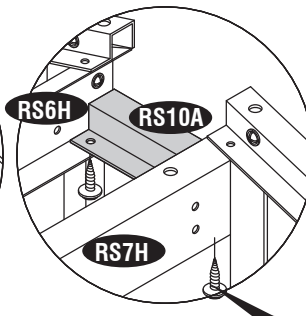


Fig.2

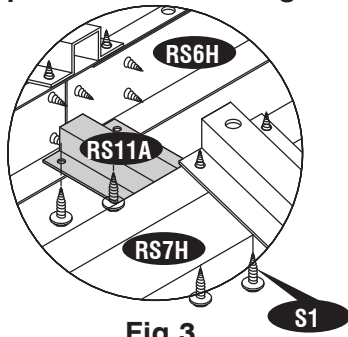
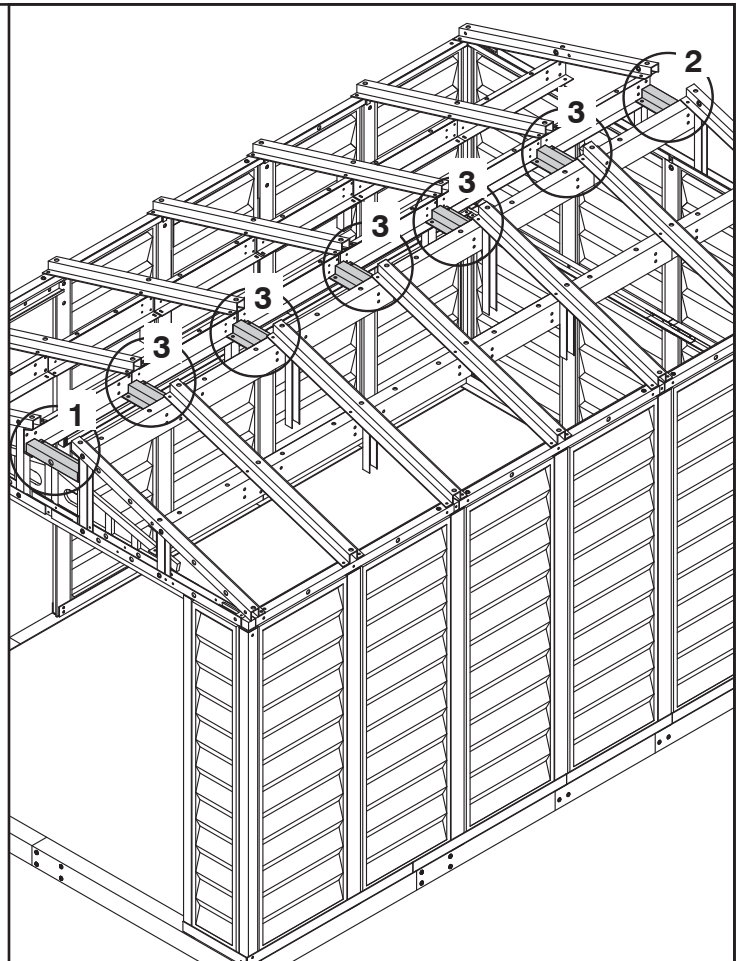
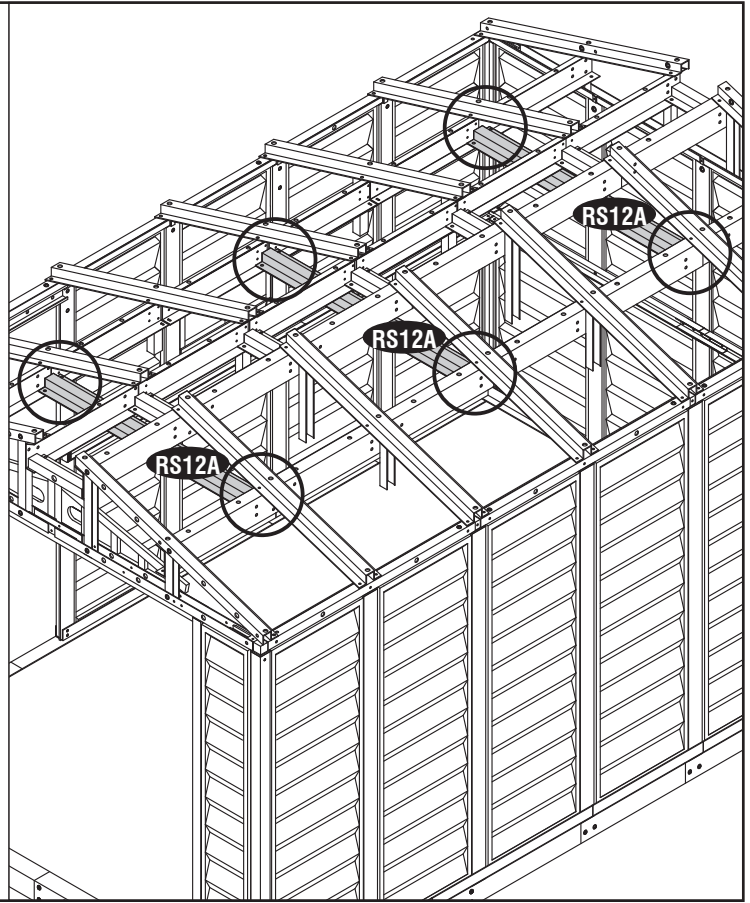
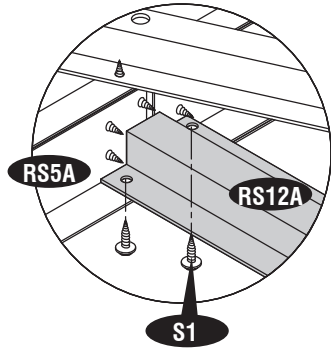


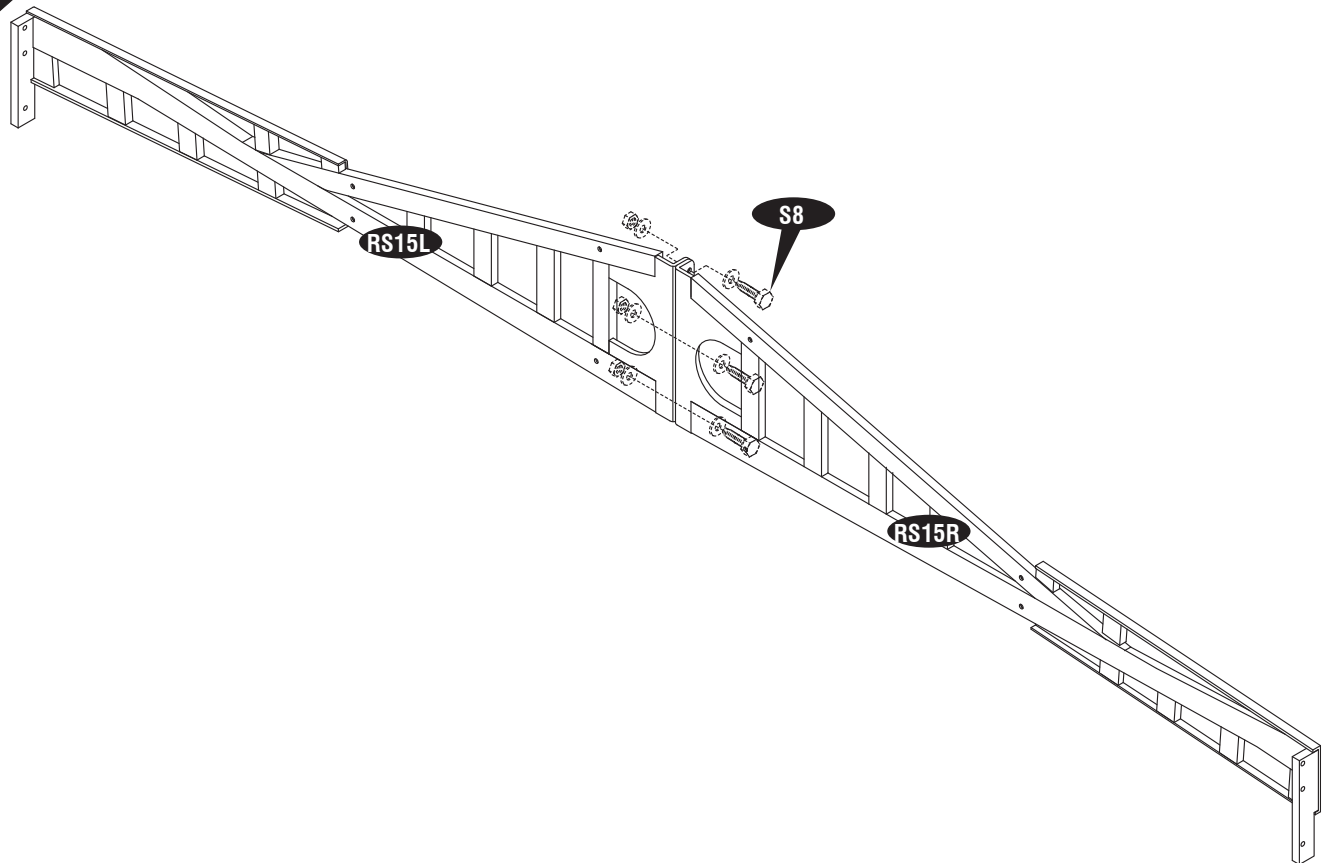
Fig.3



30



31



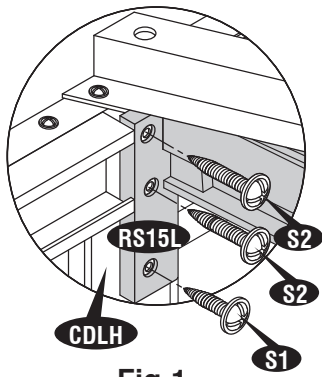


Fig.1

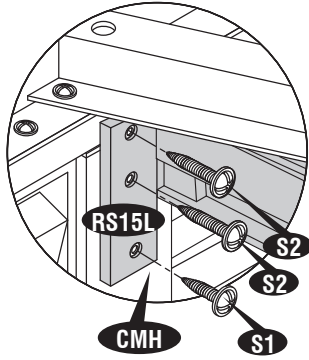


Fig.2

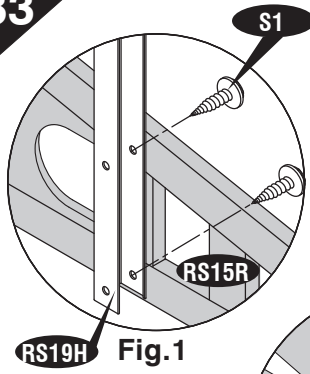
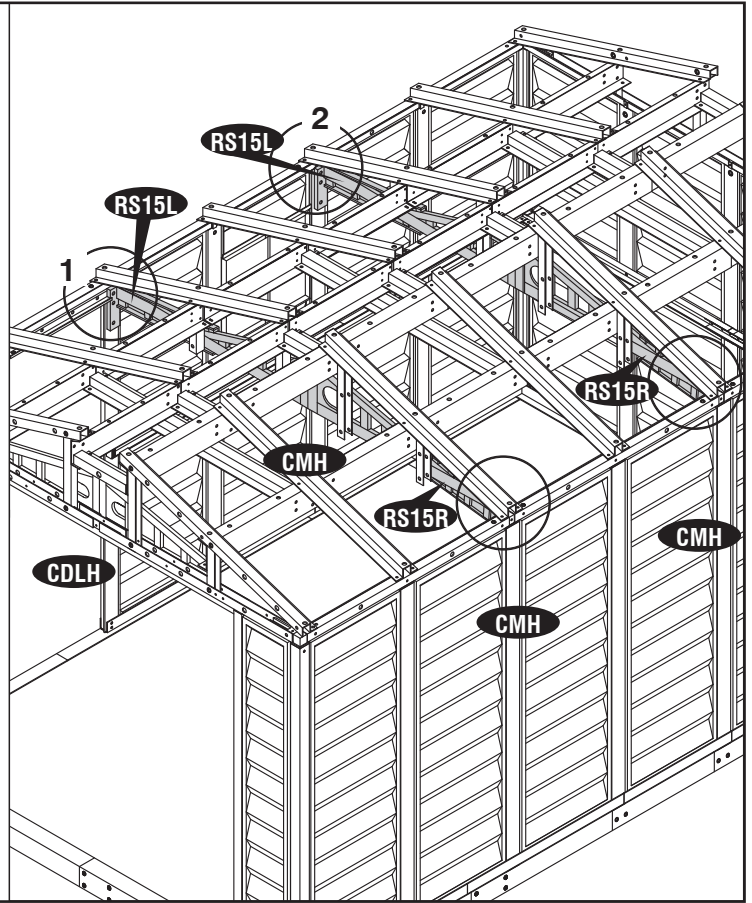


Fig.1

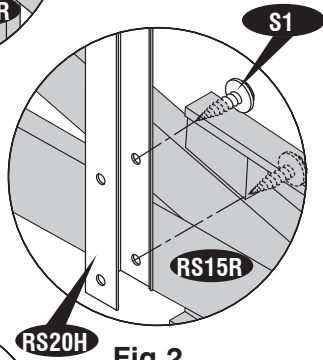


Fig.2

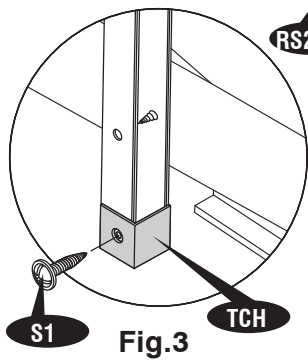
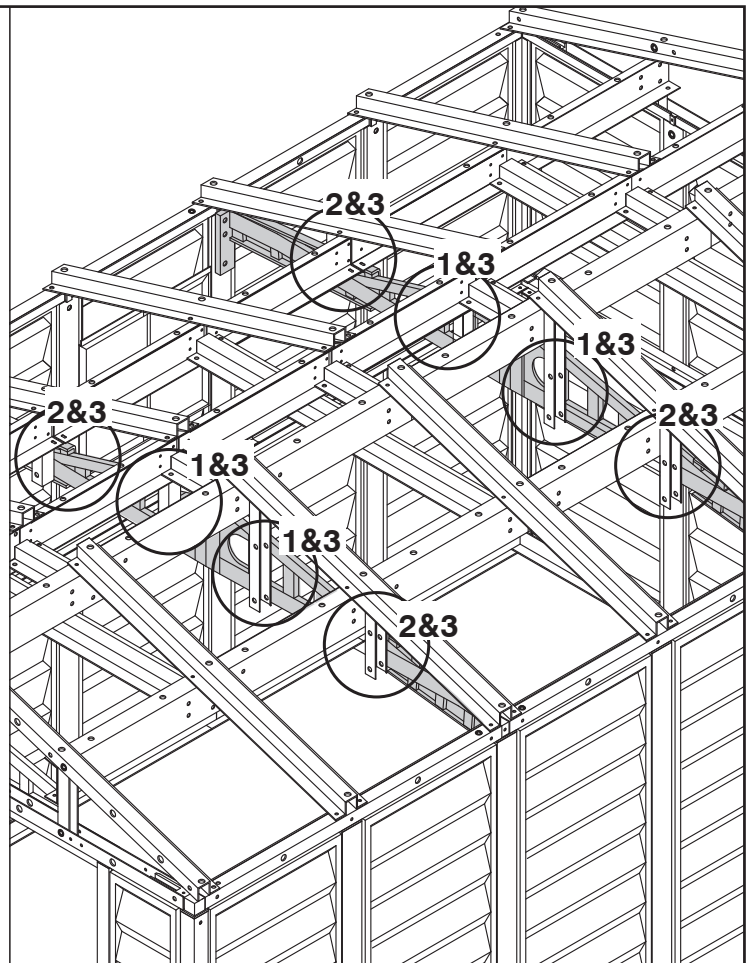


Fig.3



D. Roof panels

Parts Needed:

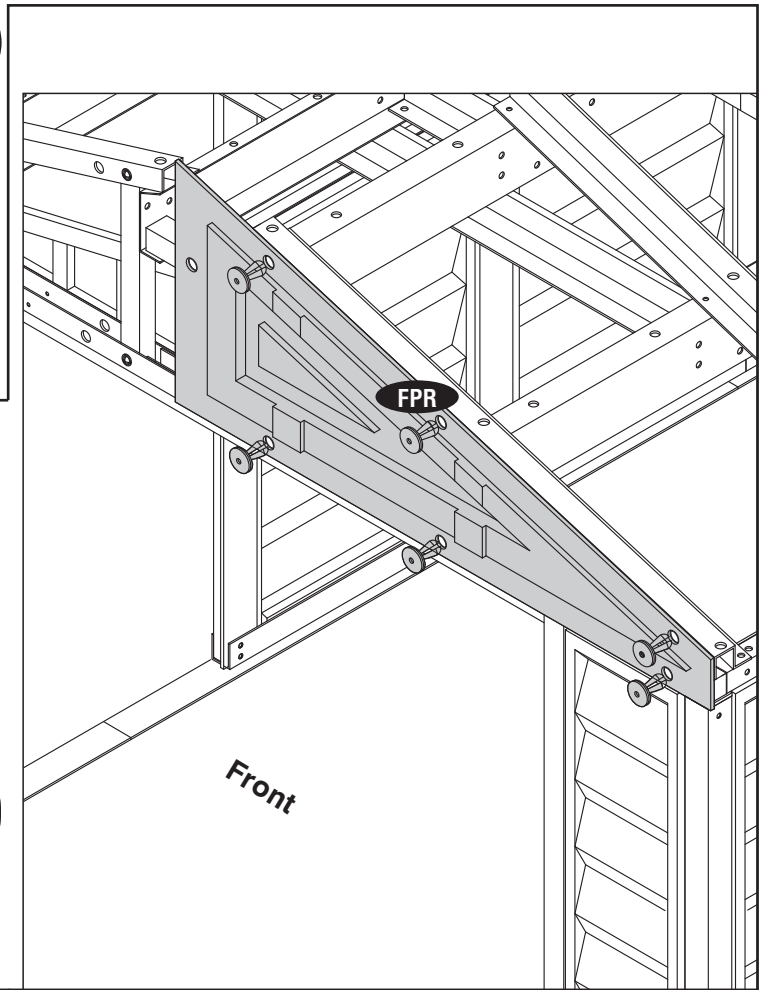
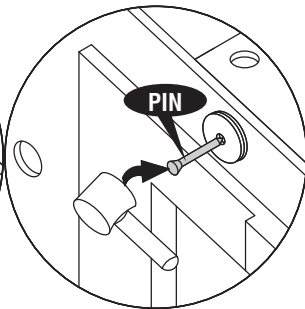
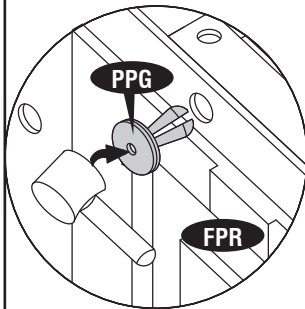
| CODE | QTY |
|-------|-----|
| RP† | 12 |
| FPL | 2 |
| FPR | 2 |
| RRS | 6 |
| PPG | 128 |
| PIN | 128 |
| RS14A | 24 |

1

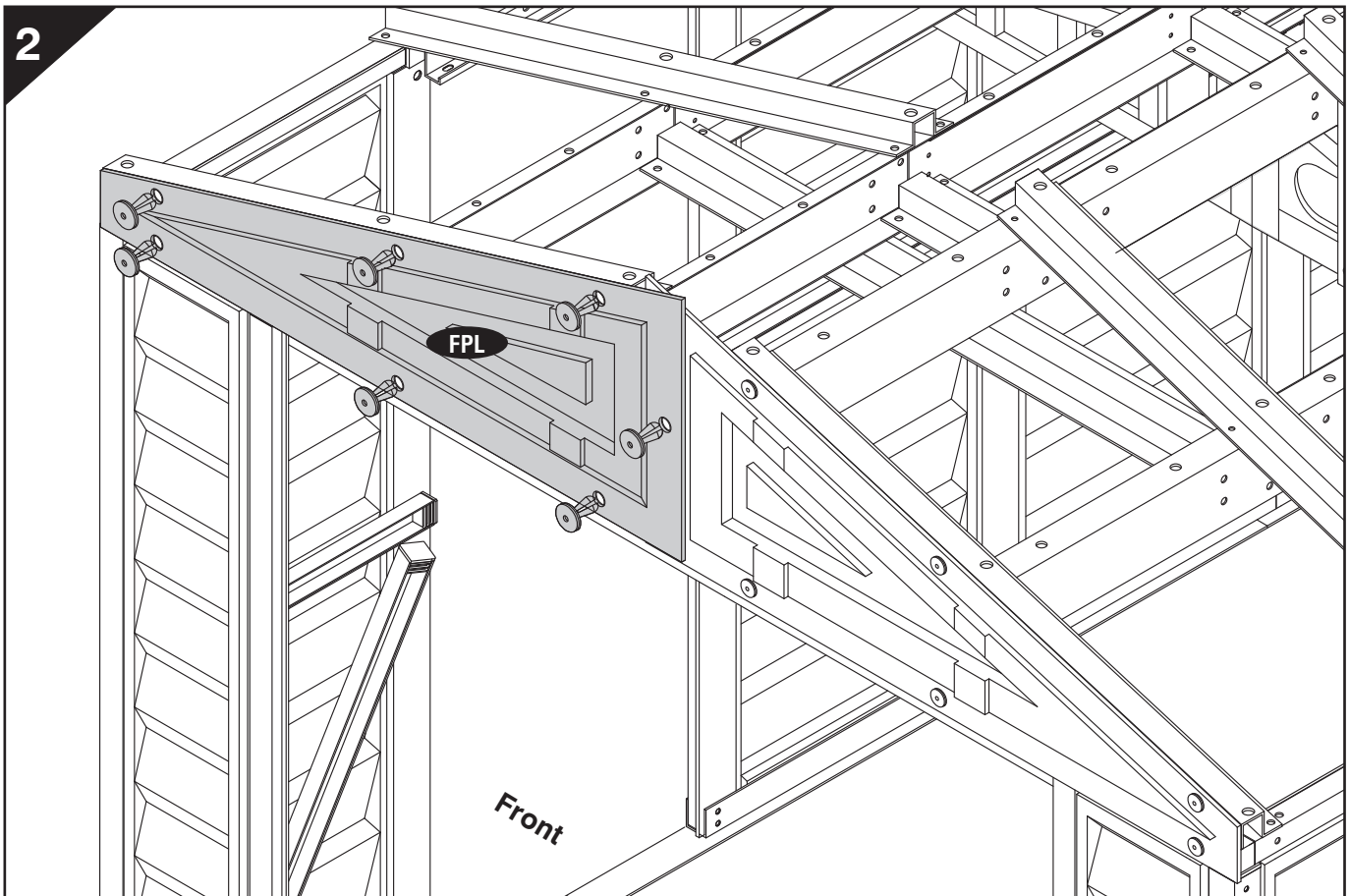
TIP

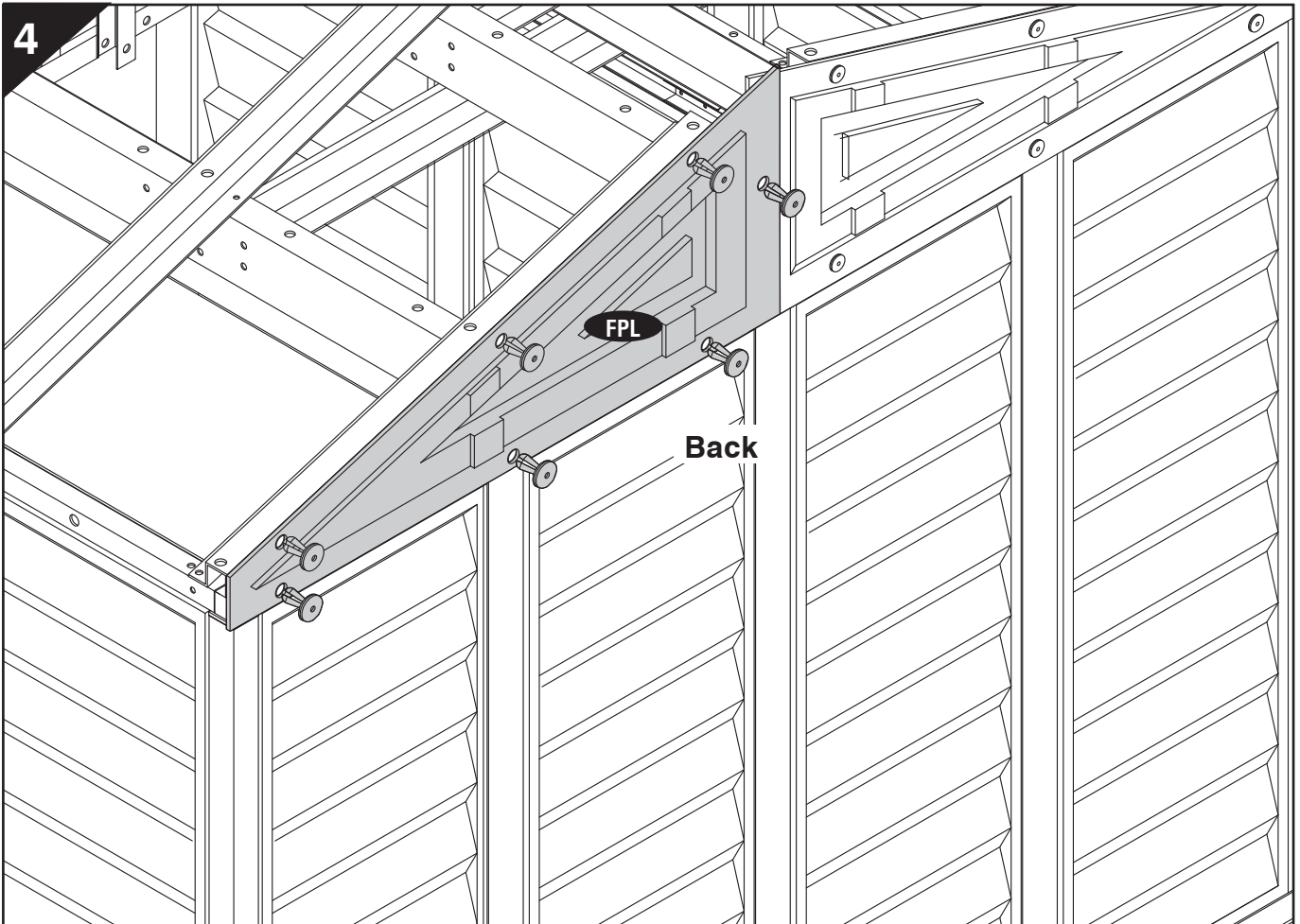
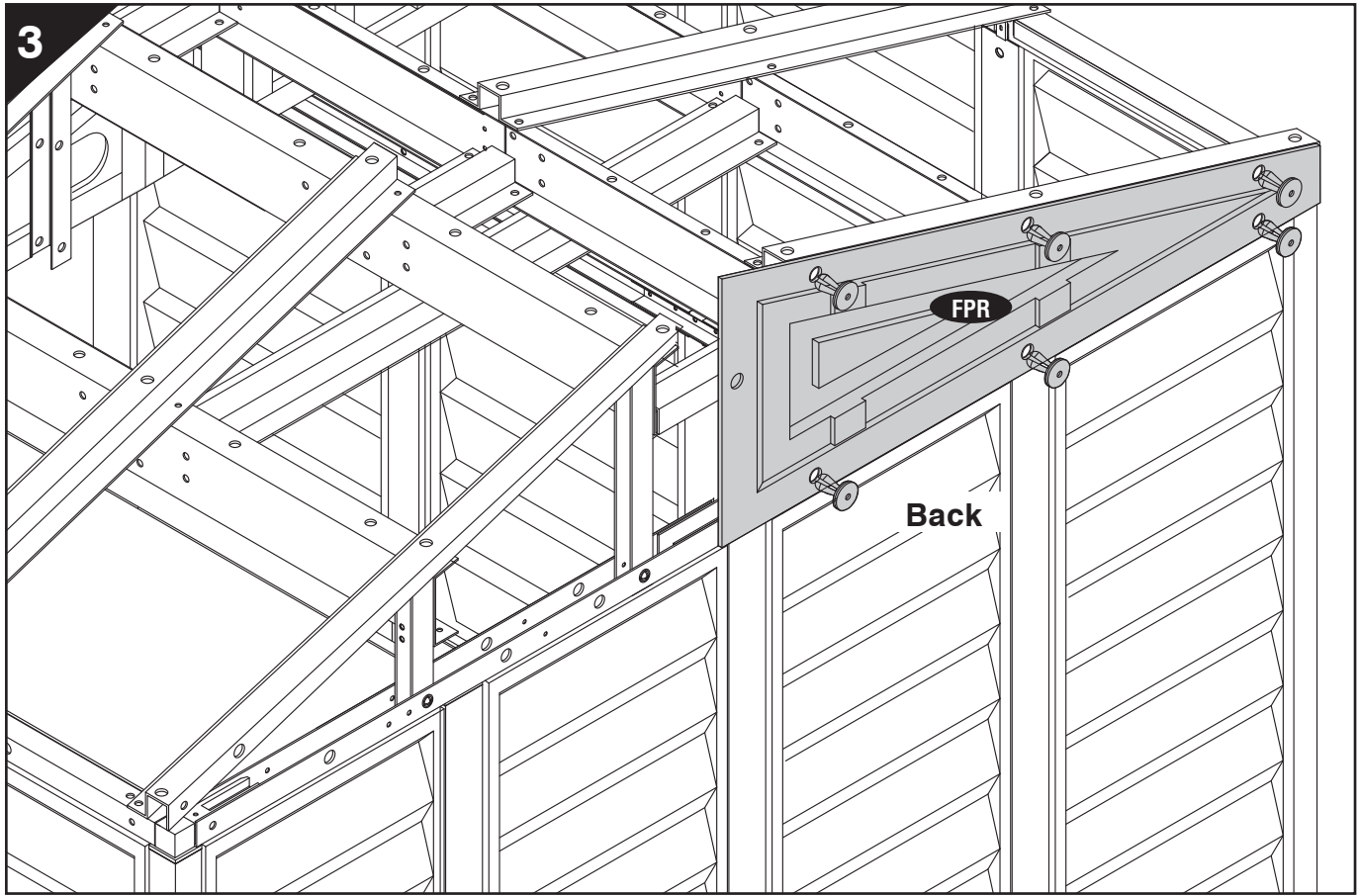


First insert all roof plugs with washers to the panels (left & right) then drive in the roof pins.



2





5

Note



Use a screw driver to align the holes.
Insert roof plugs into roof panels only as indicated.

Note



Roof Panel installation by using ladder from inside at missing Panels.

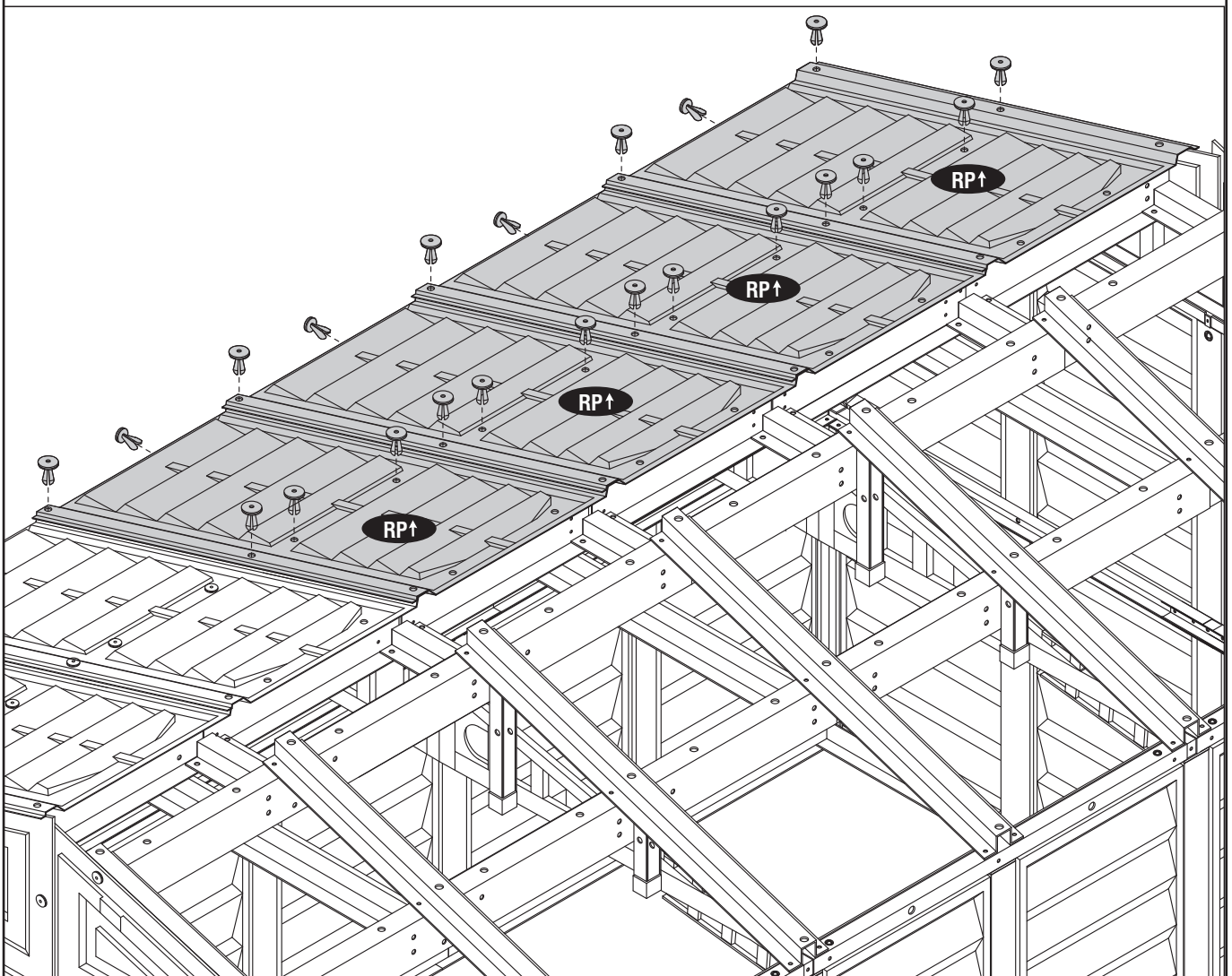
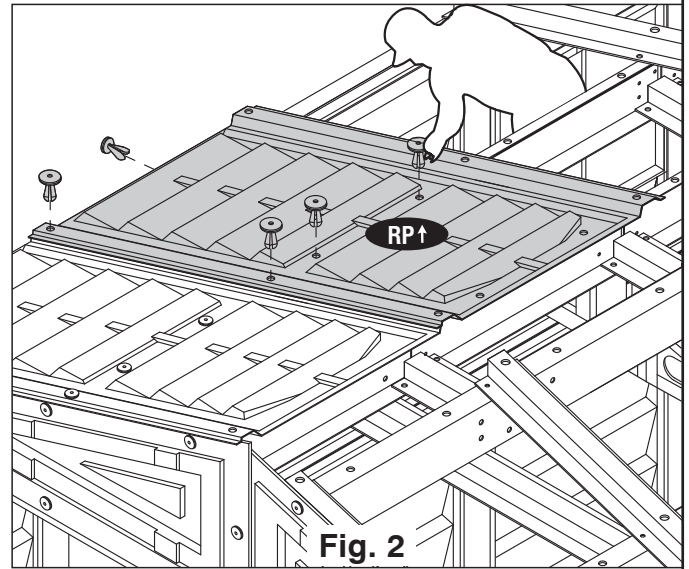
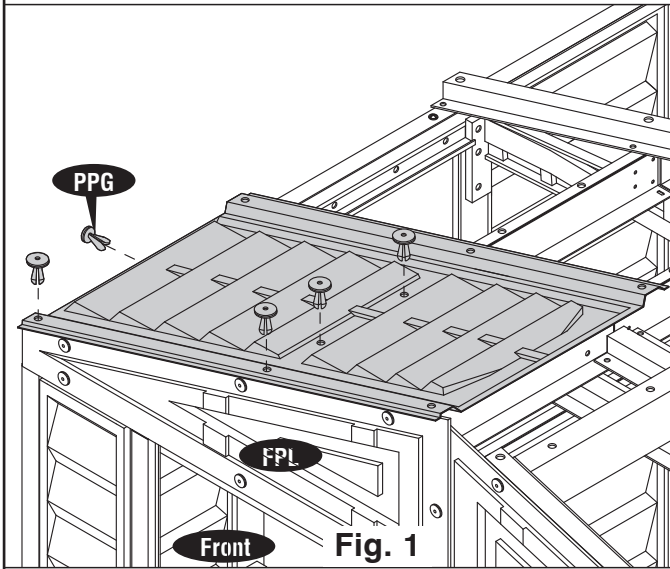
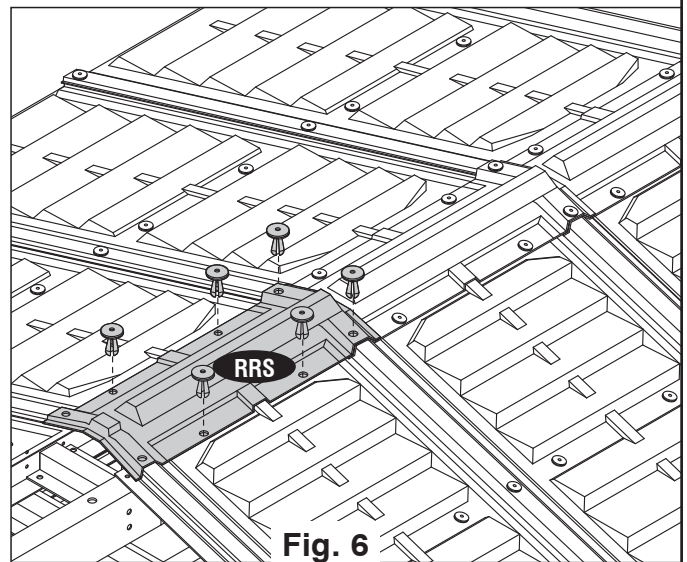
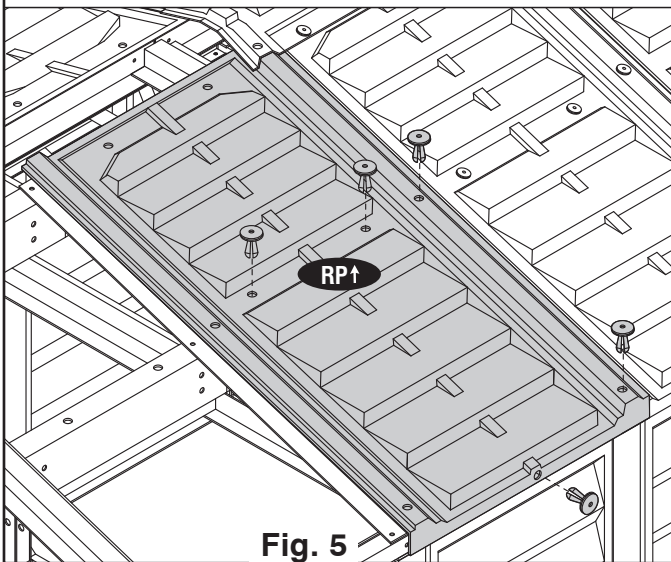
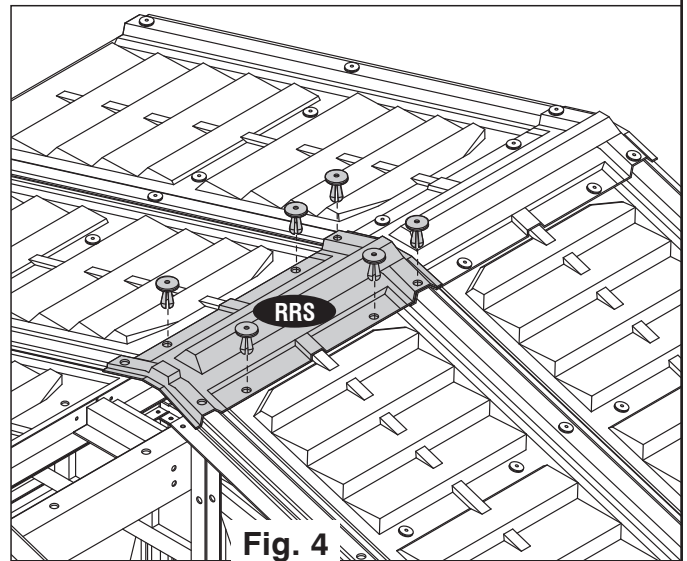
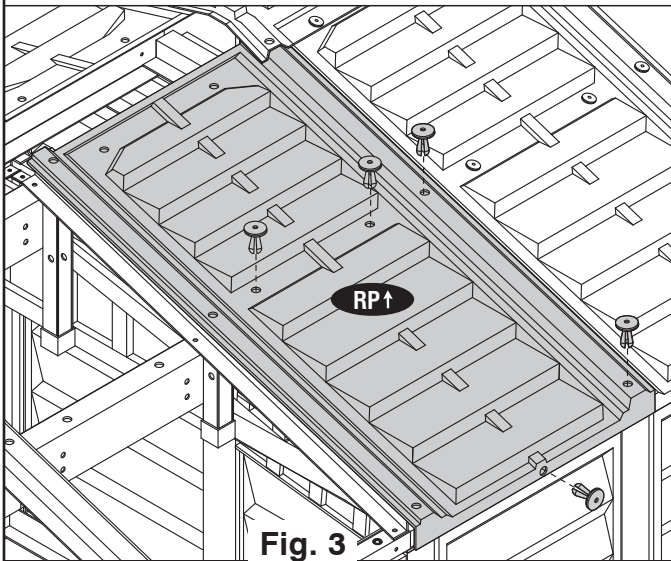
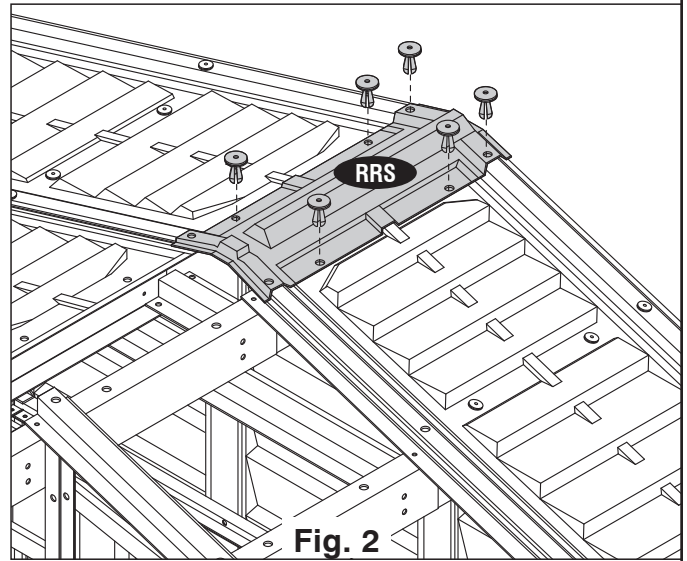
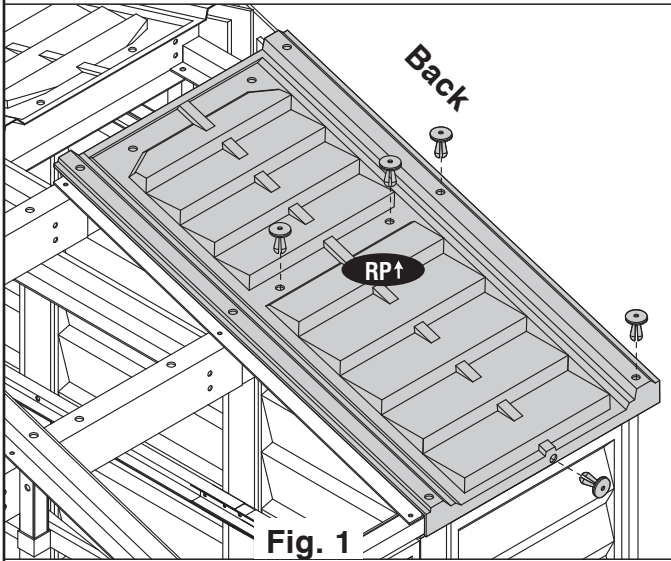


Fig.3



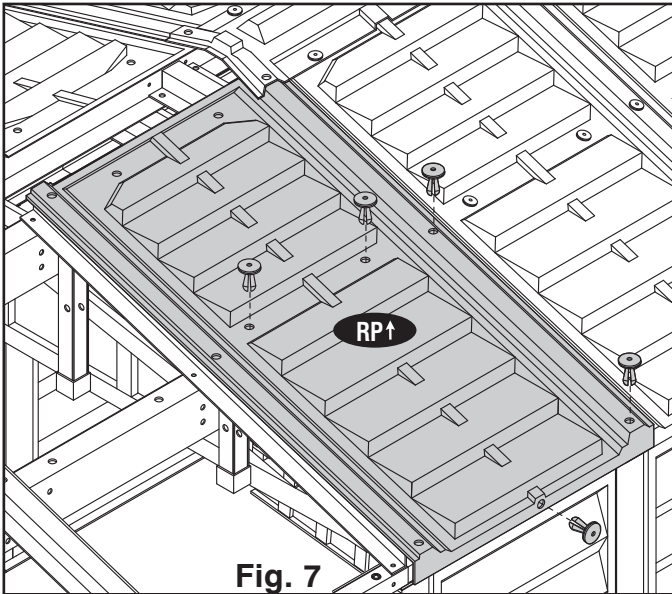


Fig. 7

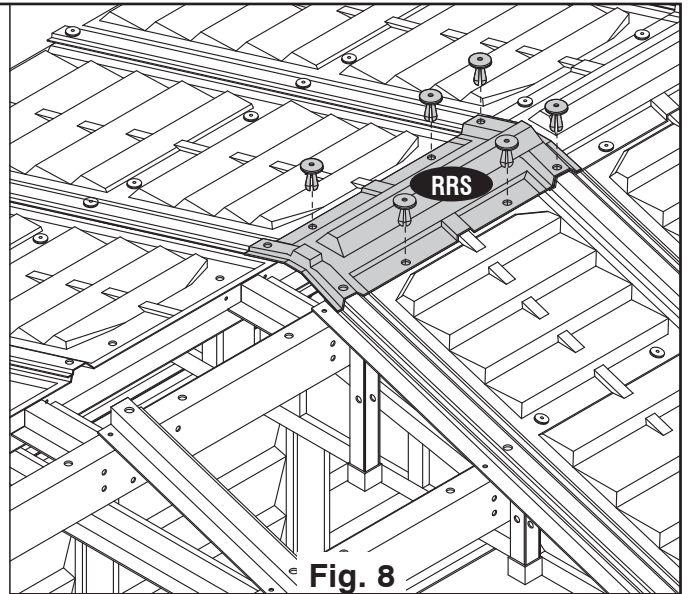


Fig. 8

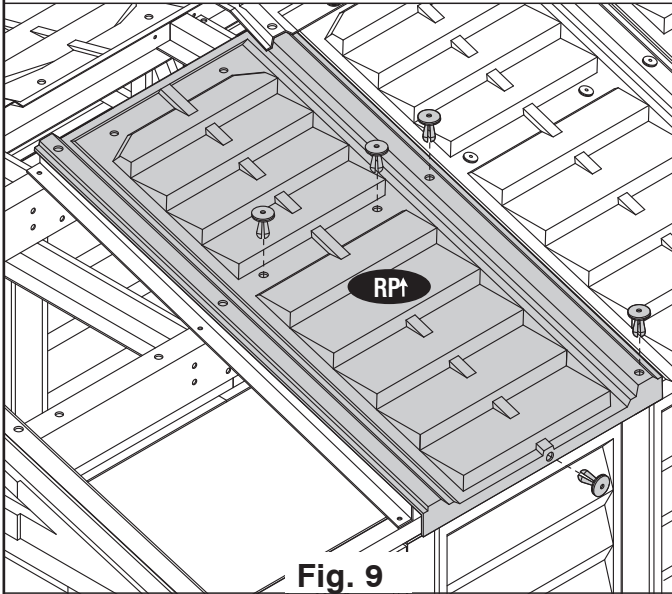


Fig. 9

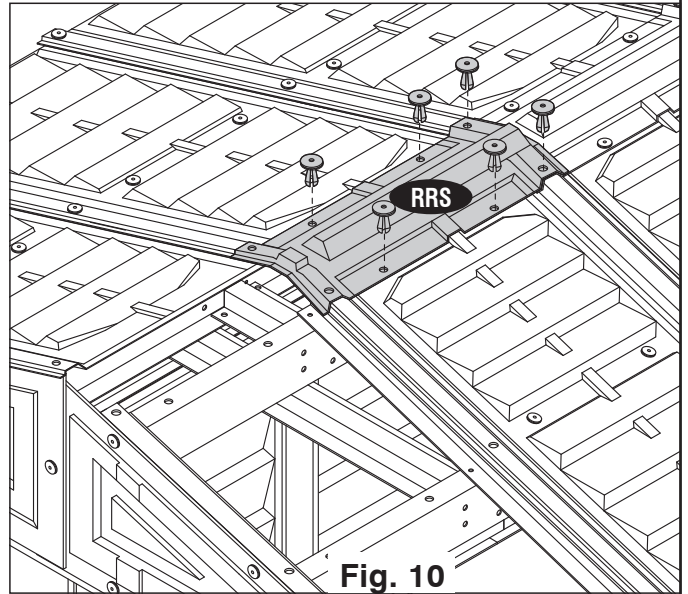


Fig. 10

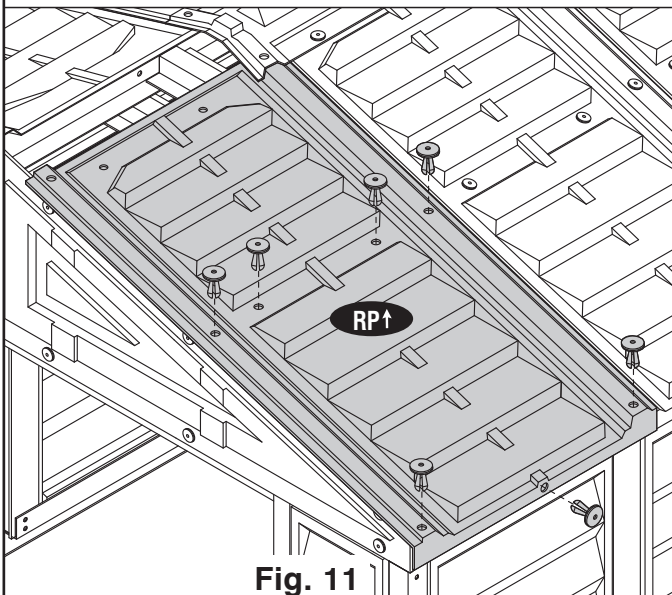
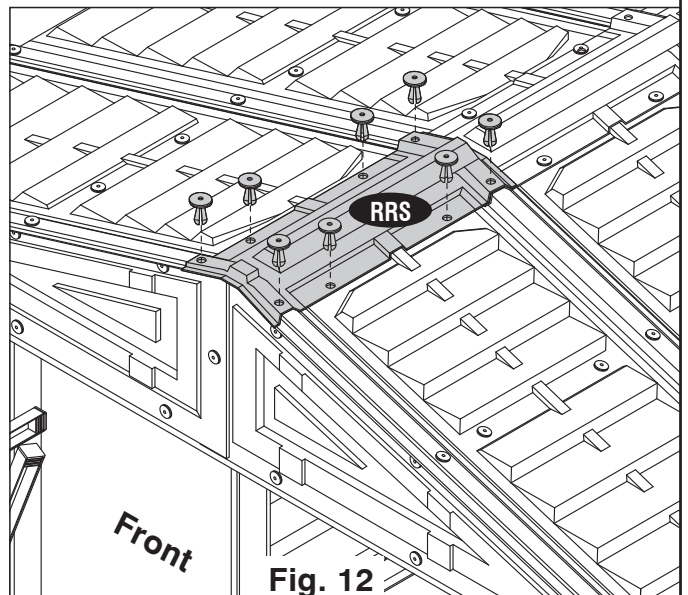


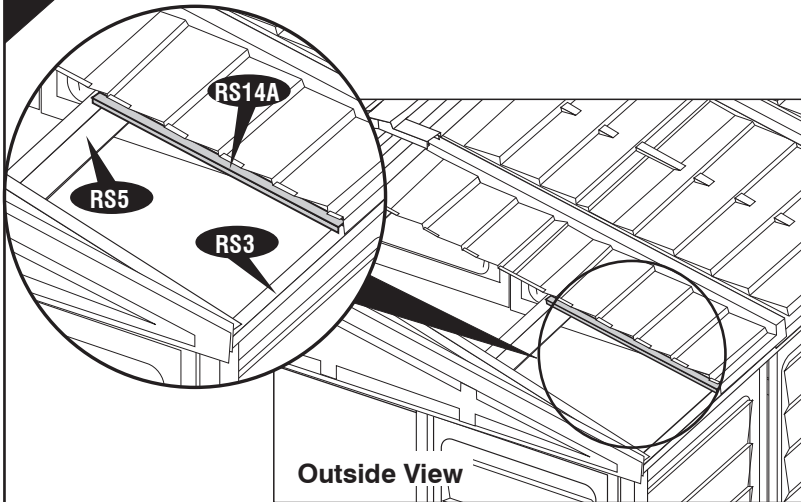
Fig. 11



Front

Fig. 12

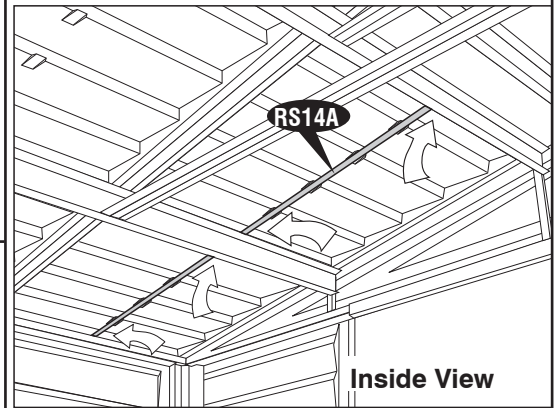
7



Outside View

Fig. 1

8



Inside View

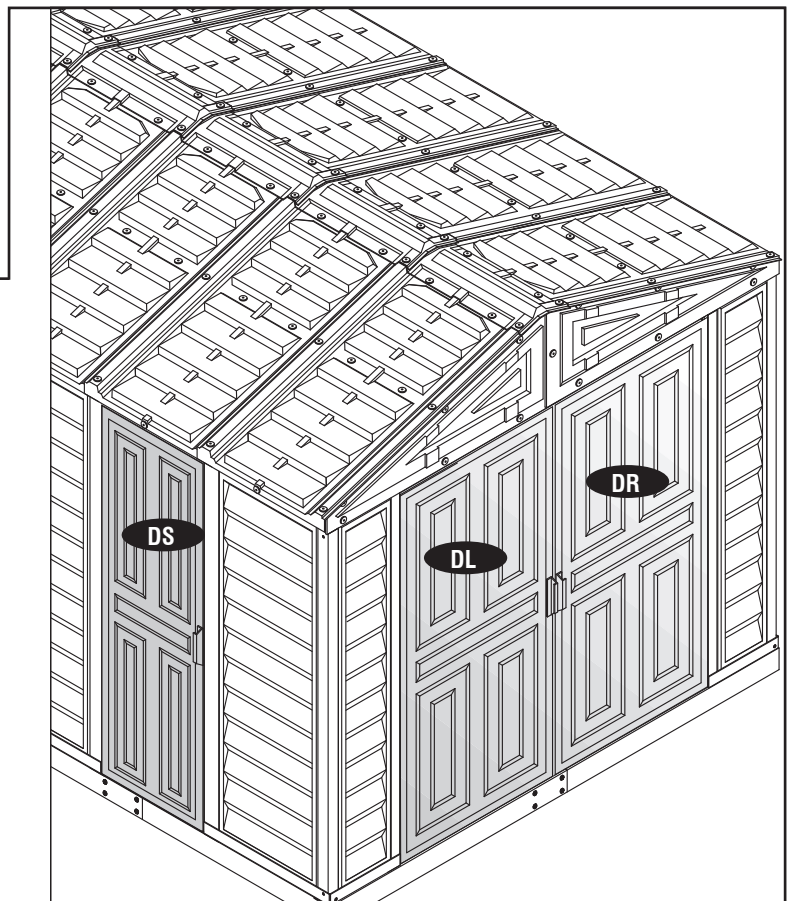
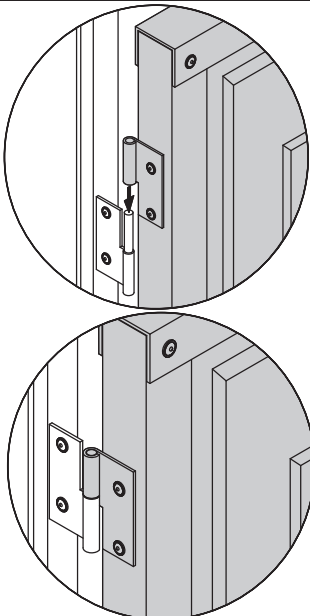
Fig. 2

E. Doors

Parts Needed:

| CODE | QTY |
|------|-----|
| DL | 1 |
| DR | 1 |
| DS | 1 |

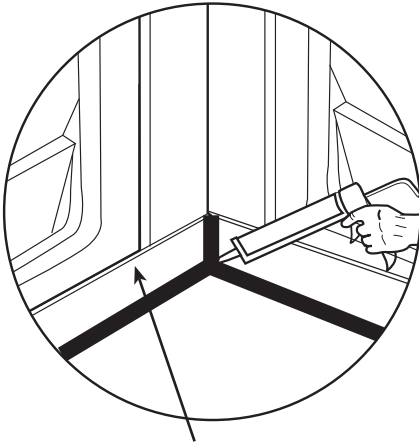
1



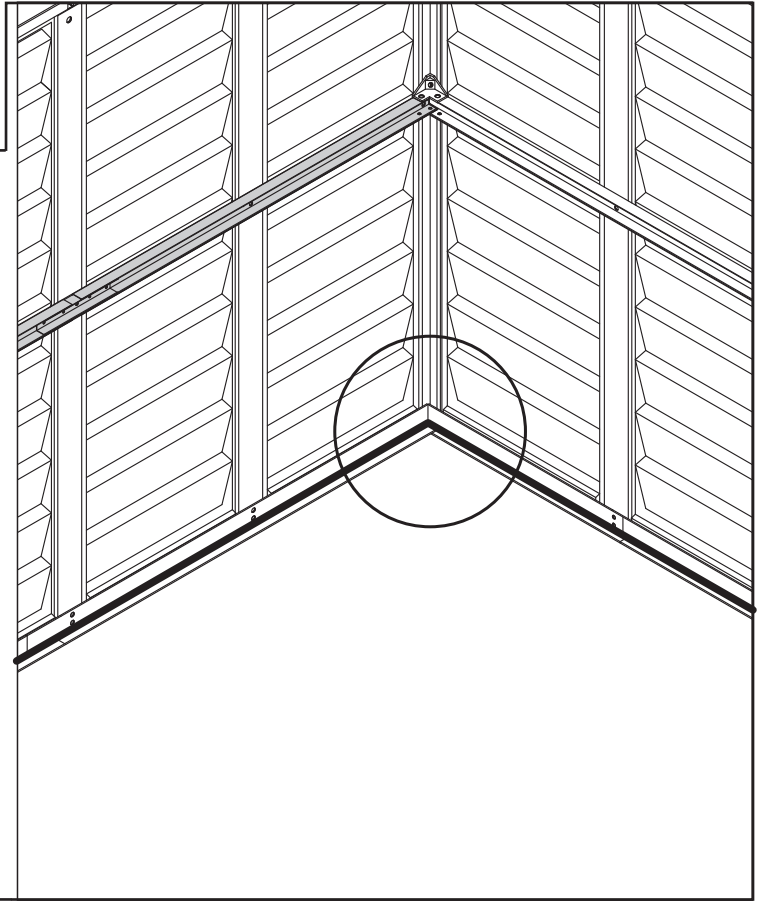
Note: To prevent water leakage it is important that these instructions are followed.

1

After completing the assembly apply silicone around the perimeter of the base U-channel. Seal the corners, joints and base of door column also.

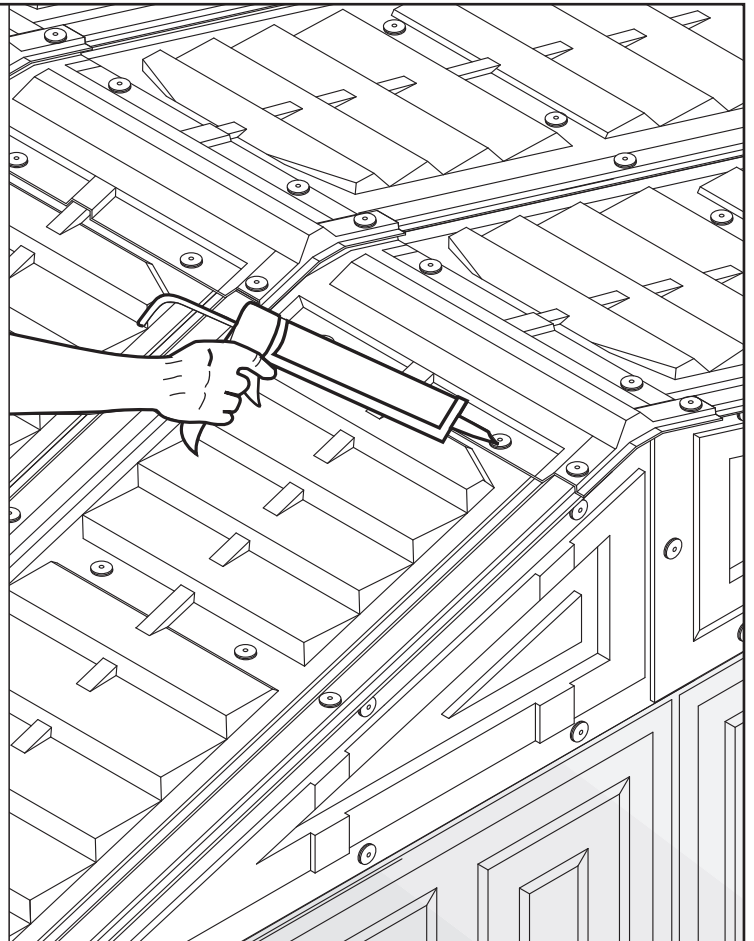


Base U-channel



2

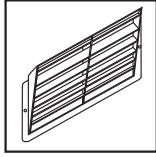
After completing the panel assembly, apply silicone around the roof plugs. This is optional and should be done for heavy rain areas if needed.



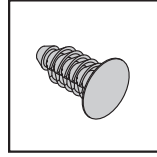
F. Ventilation Kit

Parts Needed:

| Code | Qty |
|------|-----|
| VC | 2 |
| VCP | 4 |



VC



VCP

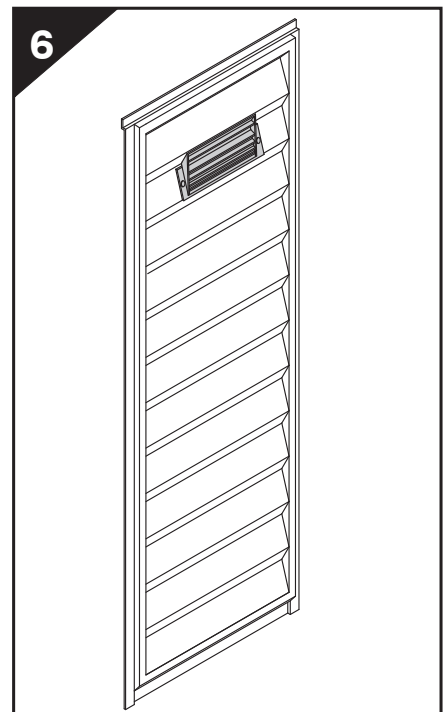
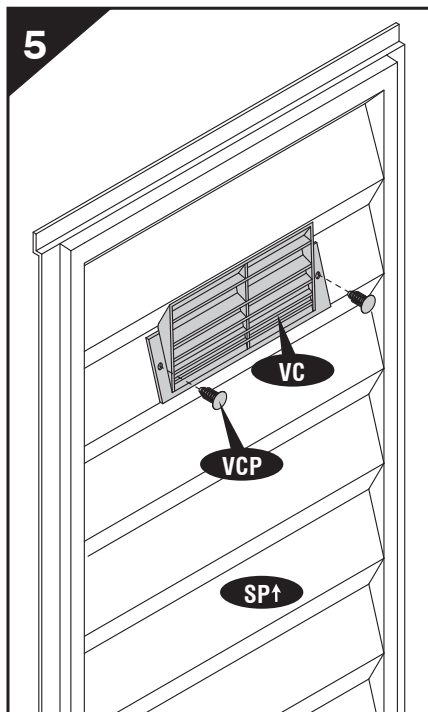
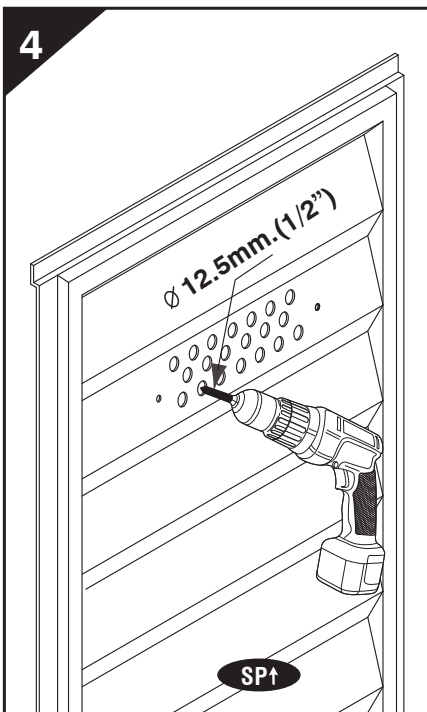
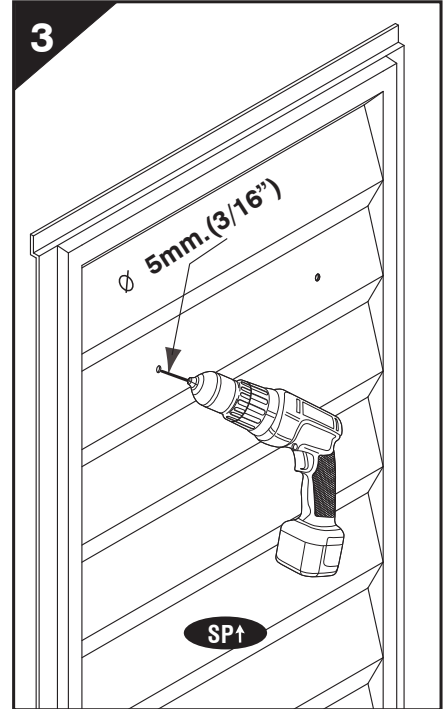
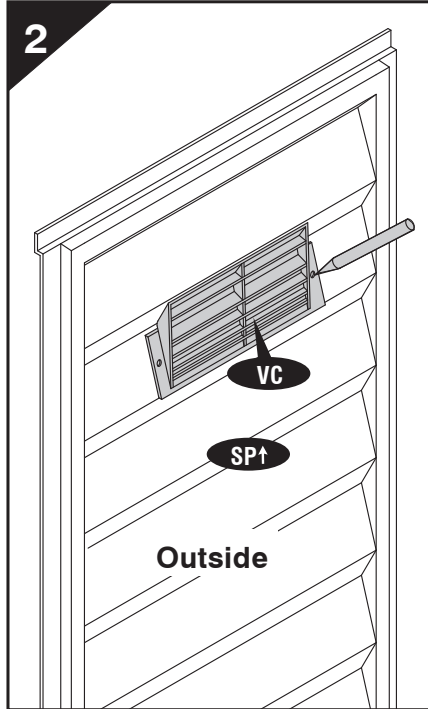
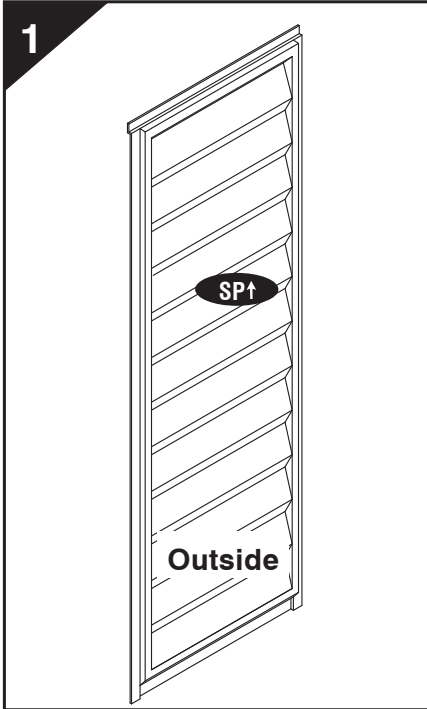
TOOLS YOU WILL NEED

Power Drill
 Dia 3/16" (5mm) drill bit
 Dia 1/2" (12.5mm) drill bit

Note



Optional ventilation kits can be installed on any of the wall panels. However, we recommend mounting them on the top of the shed's back wall.



High wind area installation instructions

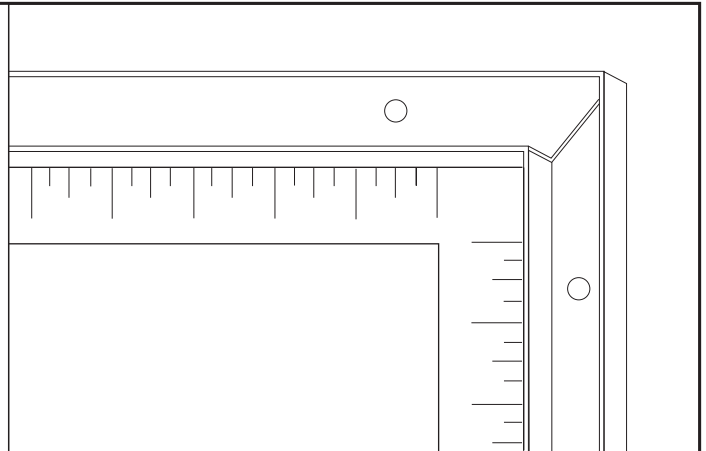
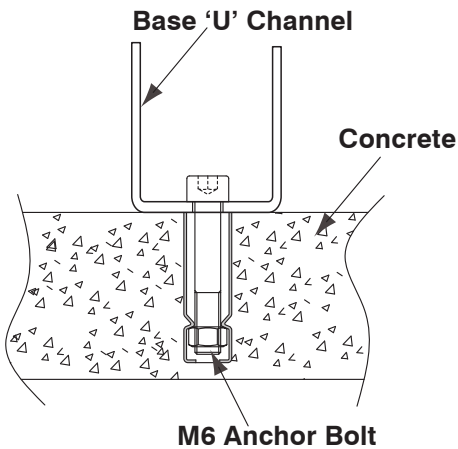
Note: To ensure that your shed withstands high winds, you will need the following reinforcement.

Parts needed (not included) :

| CODE | DESCRIPTION | QTY |
|------|--|-----|
| S4 | Dia. 4.2 x 16mm. (5/32" x 5/8") Sheet Metal Screw | 68 |
| S5 | M6 x 40mm. (1/4" x 1 1/2") Anchor Bolt | 45 |

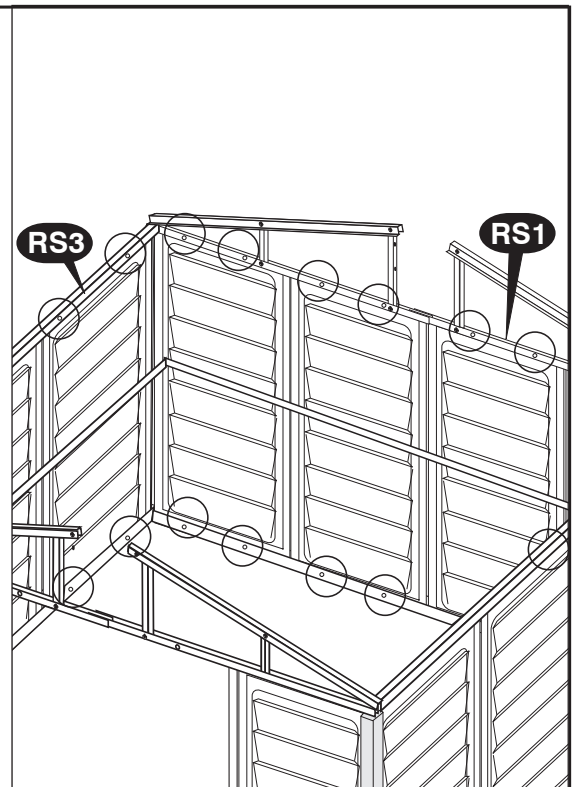
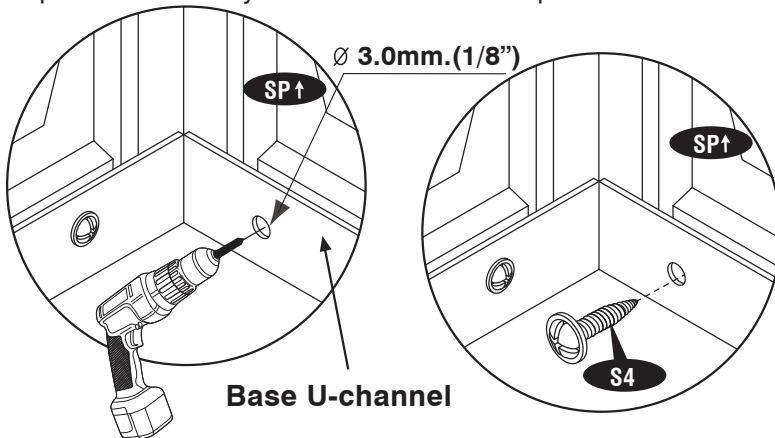
1 Assembly on concrete Foundation

Using a carpenter square, line up corners. Align base bars, mark the concrete at the holes in the base and drill concrete with suitable concrete bit to accept 1/4" x 1 1/2" (M6 x 40mm) anchor bolts. (Qty - 45Nos. not provided).

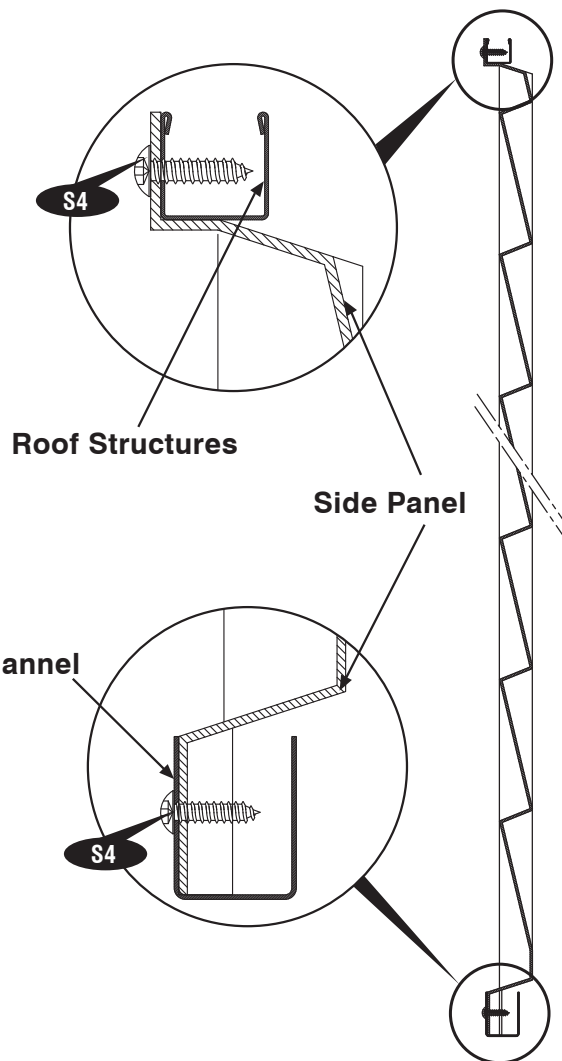
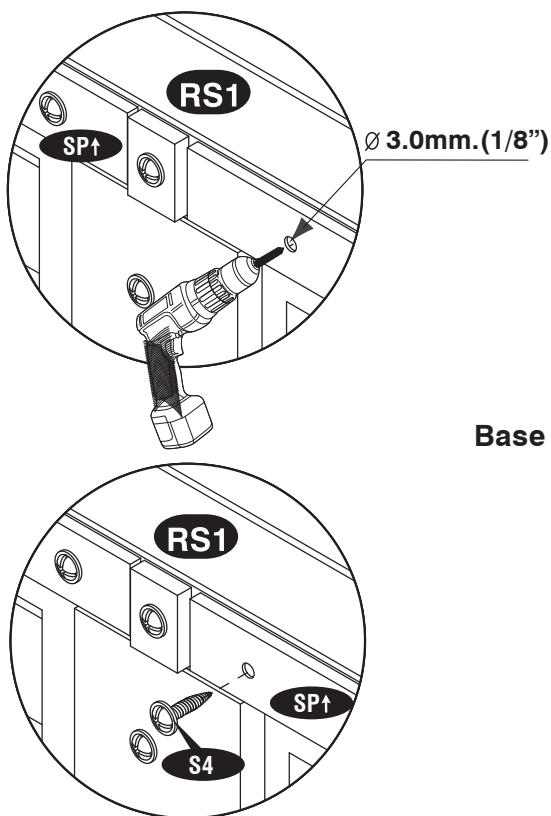


2

Attach each side panel (SP ↑) on the bottom to the Base U-channel. Using a dia. 3mm (1/8") drill with a power drill, make two equal distance holes on the Base U-channel through the Side Panel. Drive a self tapping screw (S4) through the Base U-channel to the Side Panel. Repeat this for every Side Panel. See blowup.



3. Attach each side panel (**SP↑**) on top to the roof structure (**RS1**) and (**RS3**). Using a dia. 3mm (1/8") drill with a power drill, make two equal distance holes on the side panel through the roof structure. Drive a self tapping screw (**S4**) through the side panel to the roof structure. Repeat this for every side panel. See blowup.



Important Warranty Information

The Duramax shed has been tested and passed wind loads of up to 115 mph in a controlled laboratory environment. Natural high wind areas create wind at unpredictable speeds that are very difficult to capture accurately by location. As such we cannot guarantee the performance of the shed in these extreme situations.

"We recommend to clear snow from the Roof top after each Snowfall."

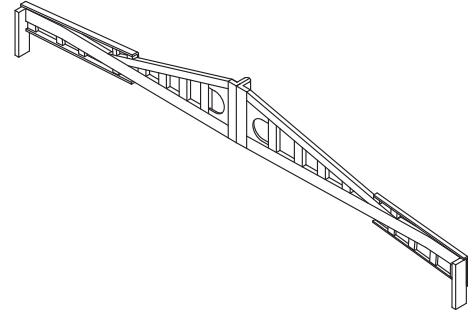
ADDITIONAL ACCESSORIES AVAILABLE

These accessories are required in case of heavy snow or high wind areas.
Please choose relevant accessories according to your needs.

SUPER SUPPORT KIT

Extra roof beams for added protection against heavy snow accumulation.

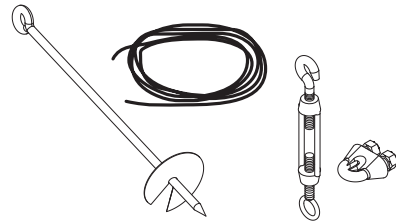
For heavy snow area.



ANCHOR KIT (Soil)

Wire rope with twist augers for sheds installed with foundation (Wood / Metal) on soil.

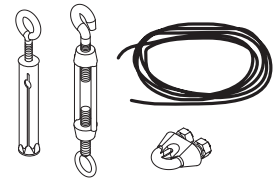
For heavy wind area.



ANCHOR KIT (Concrete)

Eye bolt with wire rope for sheds installed with foundation (Wood / Metal) on concrete.

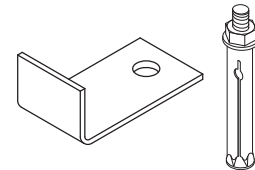
For heavy wind area.



ANCHOR KIT (Foundation)

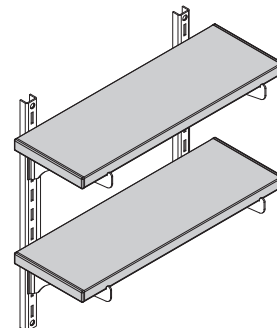
Strap clamping for shed assembly with foundation (Wood / Metal) on concrete.

To prevent shed from displacement.



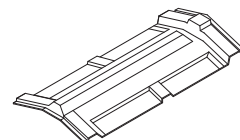
SHELF KIT

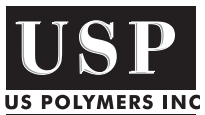
Easy mounting system on the middle column.
6 inch wide reinforced PVC shelf with end caps.



SKY LIGHT KIT

To illuminate your shed with natural light.





U.S. Polymers, Inc.
1057 S. Vail Ave
Montebello, CA 90640,
United States of America