

Vinyl Garden Shed Extension

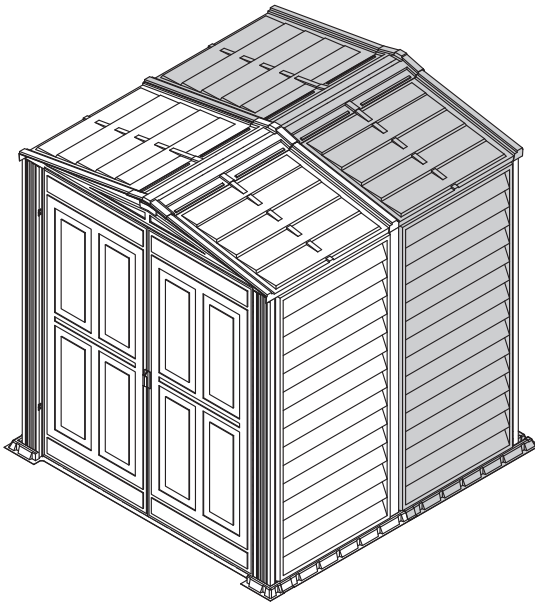
OWNER'S MANUAL

Patent #416.091

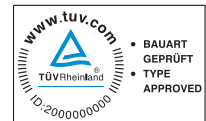
Instructions for Assembly '5 Ft YardMate Extension'- V2

Size 5 Ft x 2 1/2 Ft / 1.7 m x 0.8 m (Approx.)

Ver: 1.0



ISO 9001:2008



**Customer
 Service Hotline
 (800) 483-4674
 www.duramaxbp.com**

Your Total Solution To Maintenance Free Storage Sheds.

- All Weather Durable PVC
- Won't Dent, Rust, Rot or Mildew
- Tall Walk In Shed
- Never Needs Painting
- 53 Inch Wide Double Doors
- Easy Assembly
- Snow Load Tested 20lbs/sq. foot
- Pad Lock Ready (Lock not included)

PART 1

ASSEMBLING SHED WITH EXTENSION KIT

PART 2

ADDING EXTENSION KIT TO EXISTING SHED

Note: For shed with extension use this manual only.

Available Kits

- Modular 2.5 Ft Extension Kits Available

Call us for any missing or damaged parts.
 Do not return to the store.

Building Dimensions (One Extension) :

Approximate Size	Storage		Exterior Dimension				Interior Dimension		
	Area	Volume	Base Dimension		Roof Edge to Edge		Wall to Wall		
			inch	cm.	inch	cm.	inch	cm.	
5 Ft x 2 1/2 Ft	13 Sq. Ft.	78 1/4 Cu.Ft.	Width	67 1/4	170.7	63 1/4	160.8	61 1/4	155.7
1.7 m. x 0.8 m.	1.25 Sq.m.	2.25 Cu.m.	Depth	31	79	31	79	31	79
			Height			78 1/8	198.5	71 1/2	181.8

Note - Basic shed dimensions are available in basic shed manual.

Duramax Storage Shed Limited Fifteen Year Warranty

U.S. Polymer Inc. will send a replacement part free of charge, in the event of material defects and or workmanship for a period of fifteen years from the date of purchase.

This warranty is extended only to the original purchaser. A purchase receipt or other proof of date of original purchase will be required before warranty service is rendered. In no event shall we pay the cost of flooring, labor, installation or any other costs related thereto.

This warranty only covers failures due to defects in material or workmanship which occurs during normal use and does not extend to color change arising due to normal weathering or to damage resulting from misuse or neglect, commercial use, failure to follow assembly instructions and the owner's manual (including proper anchoring of the shed), painting, forces of nature and other causes which is beyond our control.

Claims under this warranty must be made within the warranty period by calling 1-800-483-4674 or mail in a dated sales slip and clear photograph of the part to:

U.S. Polymers, Inc.
1057 S. Vail Ave,
Montebello, CA 90640.

We reserve the right to discontinue or change components. If a component has been discontinued or is not available, U.S. Polymers, Inc. reserves the right to substitute a component of equal quality as may be compatible.

Limits and Exclusions

There are no express warranties except as listed above. The warrantor shall not be liable for incidental or consequential damages resulting from the use of this product, or arising out of any breach of this warranty. All express warranties are limited to the warranty period set forth above. Some states do not allow the exclusion or limitation on how long an implied warranty lasts, so the above limitations may not apply to you.

This warranty gives you specific legal rights and you may also have other rights which vary from state to state or country to country.

“We recommend to clear snow from the Roof top after each Snowfall.”

Location of Product Labels

Behind left Door Panel for Basic Shed.
On Side Panel for Extensions.

SAFETY & PRECAUTIONS

Before You Begin...

1. Check your local building codes regarding footings, location, etc.
2. Select a site that allows enough working space around the shed.
3. Determine building foundation and anchor system.
4. Read and understand the Owner's manual enclosed in the package.
5. Follow all directions and dimensions thoroughly.
6. Follow the steps given in the manual carefully for correct assembly.
7. Make sure all parts are present before you start assembling.

8. BE SAFE : Follow safety instructions and avoid injury.
(See inside page).



9. GROUND MUST BE EVEN : Make sure the foundation frame lies flat on the ground. If the earth bed is uneven, remove sod and other debris and level it with a flat shoval.

10. Separate contents of the carton by the part number and review the list. Be sure you have all the necessary parts for your shed. Refer Owner's manual for part list.

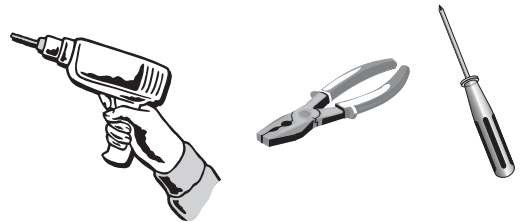
SAFETY & PRECAUTIONS

For your own safety, please read and follow these instructions during the shed assembly.

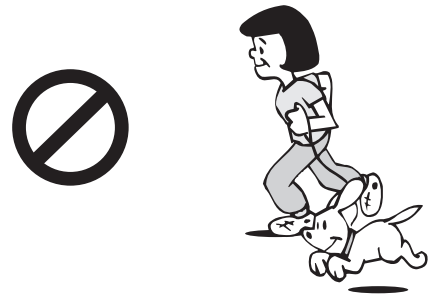
1. Always wear work gloves, long sleeves and eye protection during assembly of the shed. Some pieces of the shed contain sharp edges and can cause injury.



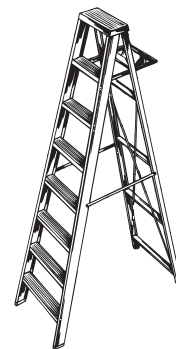
2. Be cautious with the tools used for the assembly of the shed. Familiarize yourself with the operation of all the power tools.



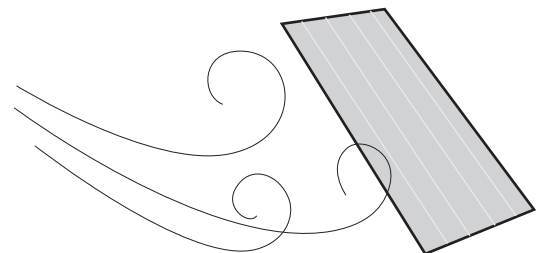
3. Children and pets should be kept away from the assembly site to avoid any distractions and accidents.






4. When using a step ladder, make sure it is on even ground and fully open with the safety latch in place. Never concentrate your full weight on the roof or any part of the shed.

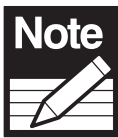


5. Do not attempt to assemble the shed on a windy day. Shed panels can be whipped across by the wind making the worksite difficult and dangerous.



IMPORTANT

-  Wear eye protection when using any form of power tools. Do not use voltage power tools in a wet or damp environment to avoid electric shock.
-  Do not use any part of the shed as a means of personal support while attaching components during assembly.
-  **The shed must be constructed on a solid base foundation.** A concrete pad or a large size concrete patio stone squares is recommended for suitable floor base. Make sure it is firm and level and will allow drainage away from the site. The base foundation should be at least 4 inches (100mm) larger than the shed dimensions. Please refer to the front page of your owner's manual for the exterior dimensions of the shed. **Manufacturer is not responsible for the choice and construction of the foundation.**



For a concrete pad base, prepare a level bed for a firm footing layer of crushed stone. The concrete pad should then be poured to a thickness of 4 inches (100mm) to 5 inches (125mm). Allow to dry thoroughly for at least 48 hours

-  Your shed must be firmly anchored to the concrete pad or large concrete patio stone squares, to help protect against damage in high winds.

Care & Maintenance

Although this unit does not require any maintenance, care should be taken to prolong the life of your shed.

ROOF : Keep roof clean of leaves and snow with long handled, soft bristled broom. Heavy amounts of snow on the roof can damage the shed making it unsafe. **Do not step on the roof.**

WALLS : Do not rest any object against the wall panels of the shed.

DOORS : Keep doors closed to prevent wind damage.

FASTENERS : Regularly check your shed for loose screws, bolts, nuts, etc. And retighten them as necessary.

MOISTURE : With changing temperatures, condensation will accumulate inside the shed. Good ventilation will help in regulating and avoid moisture.

TIP : A noncorrosive caulking is helpful to seal the shed.



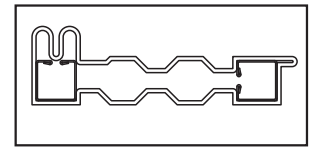
**DO NOT store swimming pool chemicals in your building.
Combustibles and corrosive must be stored in
air tight containers**



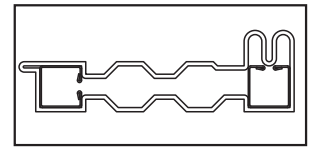
Parts List



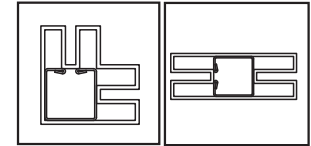
PARTS				ACCESSORIES	
CODE	QTY	CODE	QTY	CODE	QTY
FCLE	1	BPF	1	FDCL	1
FCRE	1	SPE ↑	4	FDCR	1
CME	1	FPE	2	FCC	4
CCE	2	RPE ↑	2	FMC	1
CB2E	2	RRE	1	FCB	4
CB2B	1	DL	1	RJ	4
RS1E	2	DR	1	PPG	34
RS2E	4			PIN	34
RS3E	2			VC	2
RS5E	2			VCP	4
RS14E	2			S1	45
DSHE	1			S2	8
				S5	14
				S6	14



FCLE

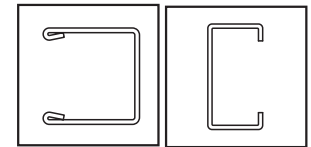


FCRE



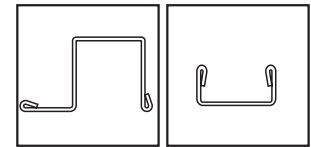
CCE

CME



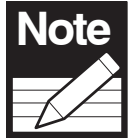
RS1E, RS3E
CB2B, CB2E

DSHE

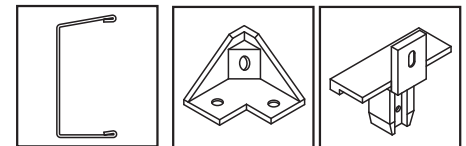


RS2E

RS14E



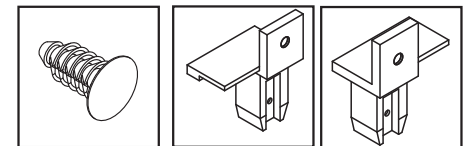
1. Before starting installation, please refer Safety & Precautions.
2. Maximum no. of Extension can be build upto 5'x8' (ie. Two Extension).



RS5E

FCB

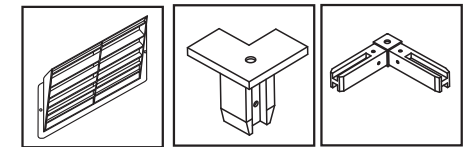
FMC



VCP

FDCR

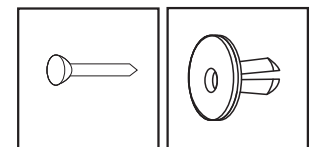
FDCL



VC

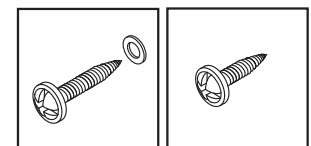
FCC

RJ



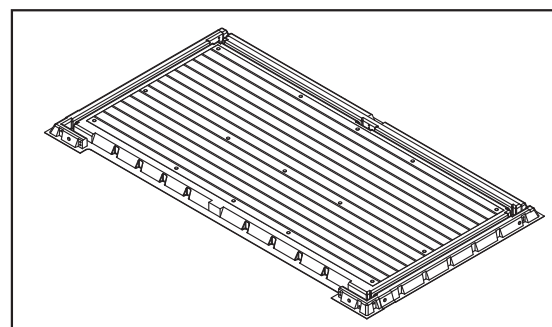
PIN

PPG



S5, S6

S1, S2

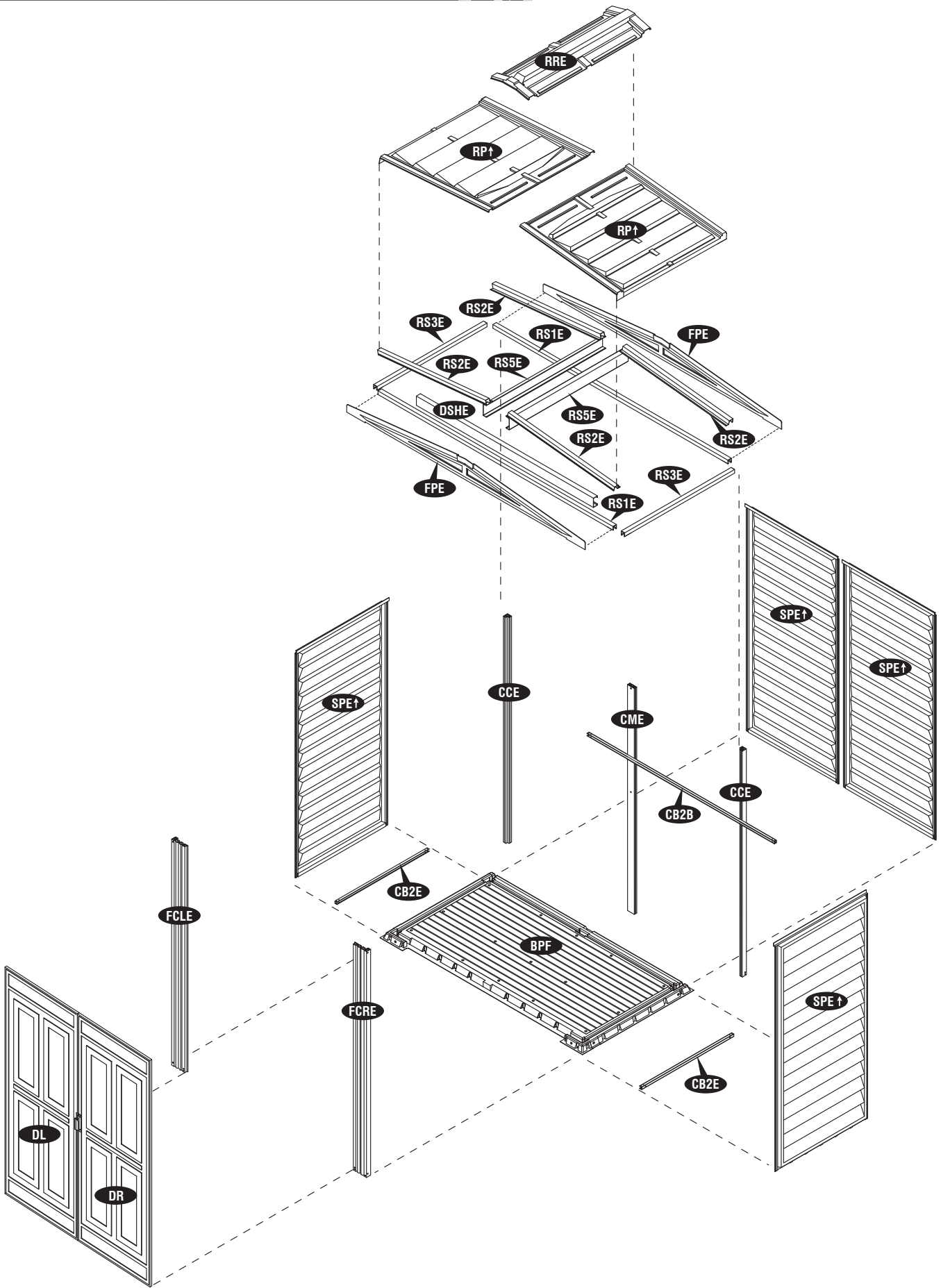


BPF

Tools You Will Need

- Cordless Drill - Philips Head
- Hammer or Rubber mallet
- Carpenters Square
- 8' Step Ladder
- Adjustable pliers
- Level - 3ft.
- Tape Measure
- Caulk Gun
- Waterproof Clear Silicon
- Hand Gloves

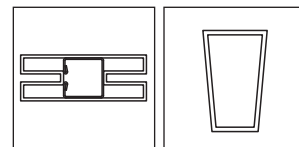
5' x 3' Exploded View



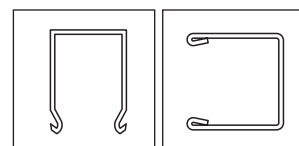
One Extension Parts List



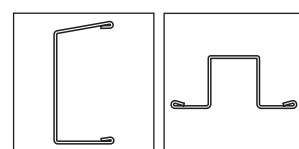
<u>PARTS</u>		<u>ACCESSORIES</u>	
<u>CODE</u>	<u>QTY</u>	<u>CODE</u>	<u>QTY</u>
BPB	1	FMC	2
CME	2	PGC	1
CB3SB	2	MCC	1
RS3SB	2	PPG	22
RS4E	2	PIN	22
RS6E	1	S1	22
RS7E	1	S3	10
RS11E	1	S5	4
RS14E	2	S6	4
SPE ↑	2		
RP ↑	2		
RRE	1		



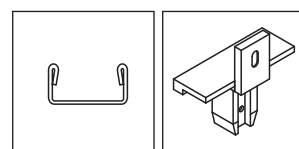
CME PGC



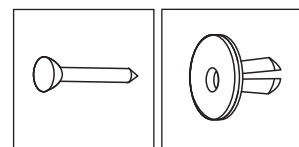
MCC RS3SB & CB3SB



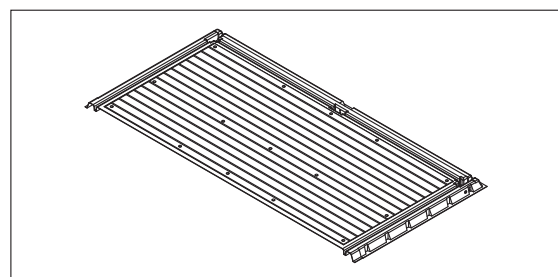
RS6E & RS7E RS4E & RS11E



RS14E FMC

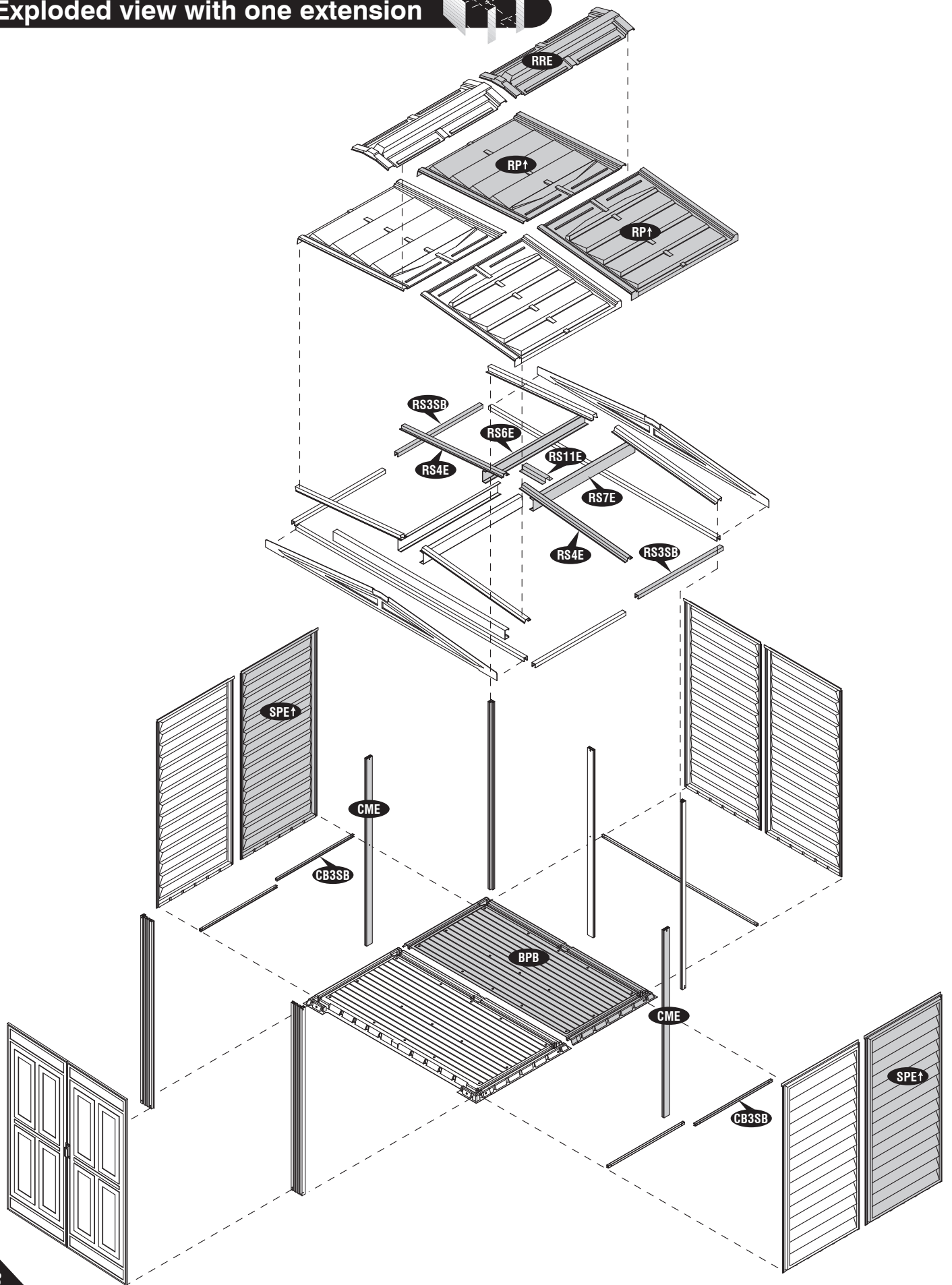


PIN PPG



BPB

Exploded view with one extension





1. It is important that these instructions are followed step by step.
2. All parts are clearly marked and care should be taken to use the correct one.
3. Don't install under windy conditions.
4. If you are building the shed against a wall, build it 2.5 ft. away then slide it in.
5. Set the Torque limit of your Screw drill to #3 or #4 to ensure the screws do not strip the metal reinforcements.

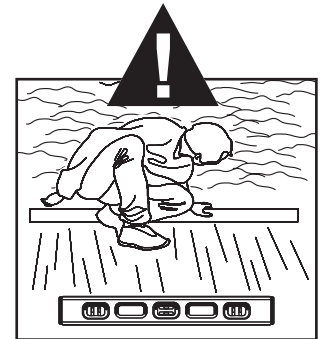
Parts Needed

Code	Qty
BPF	1
CCE	2
FCLE	1
FCRE	1
CME	1
SPE ↑	4
CB2E	2
CB2B	2
FCB	4
S1	9
S2	4
S5	14
S6	14

Parts Needed For Each Extension

Code	Qty
BPB	1
CME	2
CCM	2
SPE ↑	2
CB3SB	2
PPG	8
PIN	8
PGC	1
MCC	1
S1	2
S3	2
S5	4
S6	4

Level Floor Surface Required



1



Note Make Two Sets

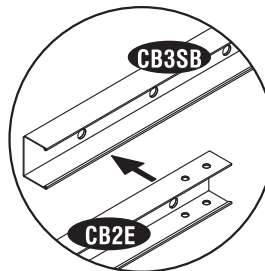
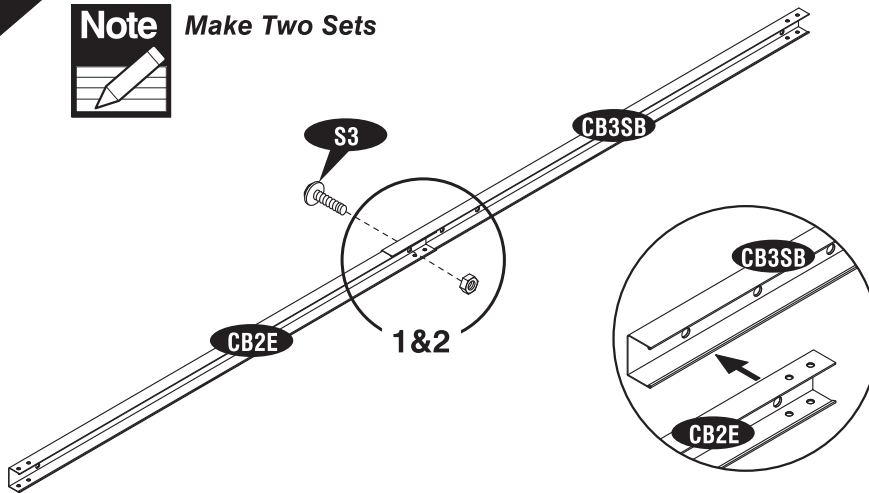


Fig.1

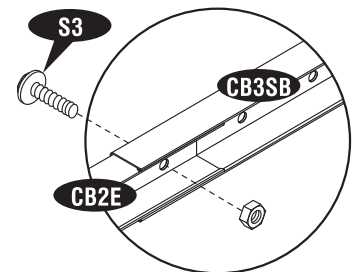
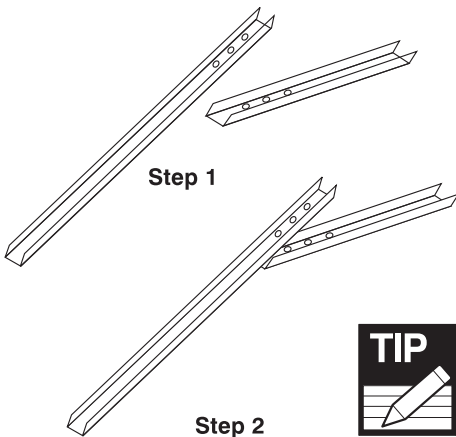


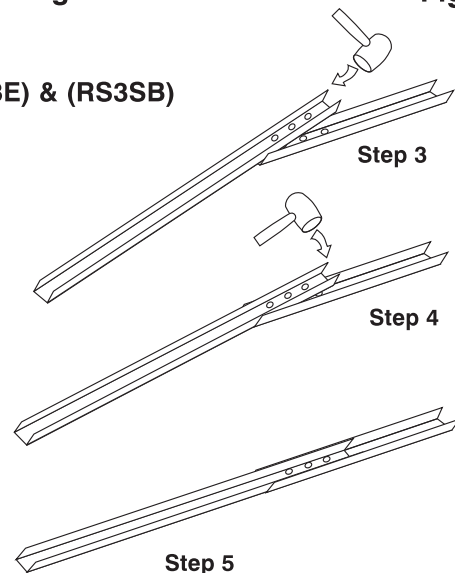
Fig.2

Overlapping Method

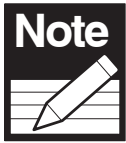
For Center Band (CB2E) & (CB3SB), Roof structure (RS3E) & (RS3SB)



TIP Use a hammer to align the holes.



2



Remove the pin & plug from the back side of the base pallet (BPF).

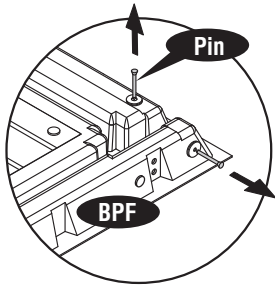


Fig.1

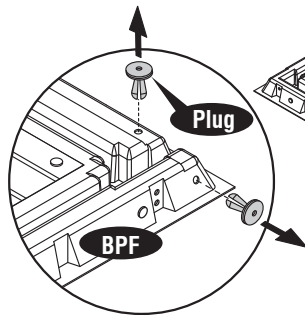
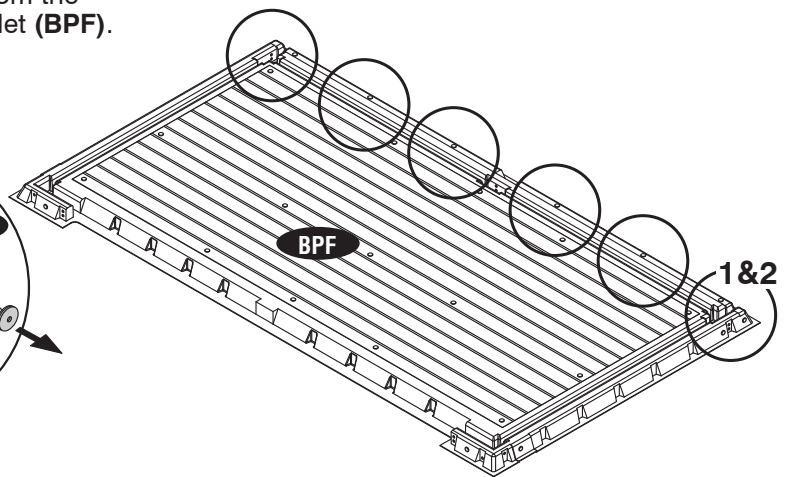


Fig.2



3

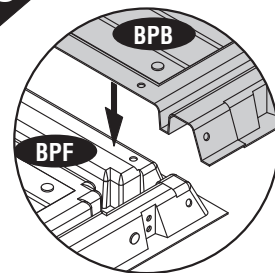


Fig.1

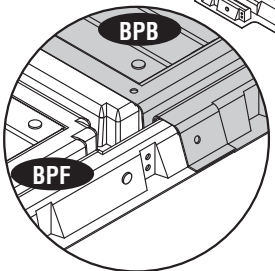


Fig.2

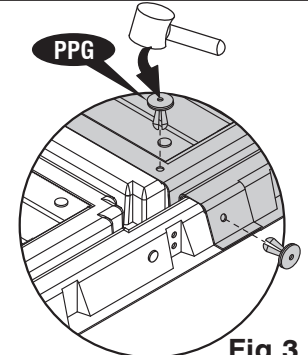
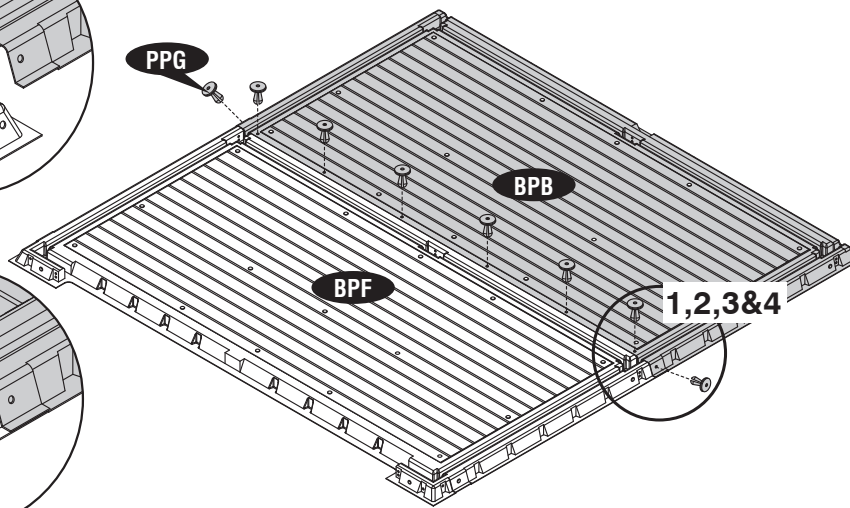


Fig.3

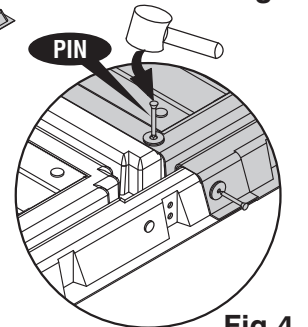


Fig.4

4

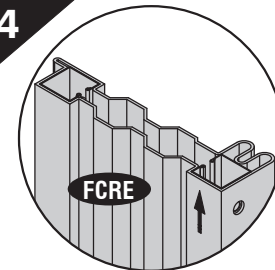


Fig.1

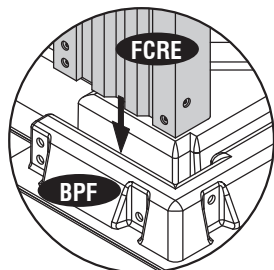


Fig.2

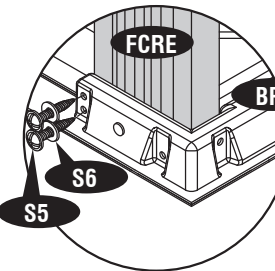


Fig.3

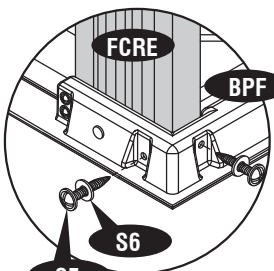
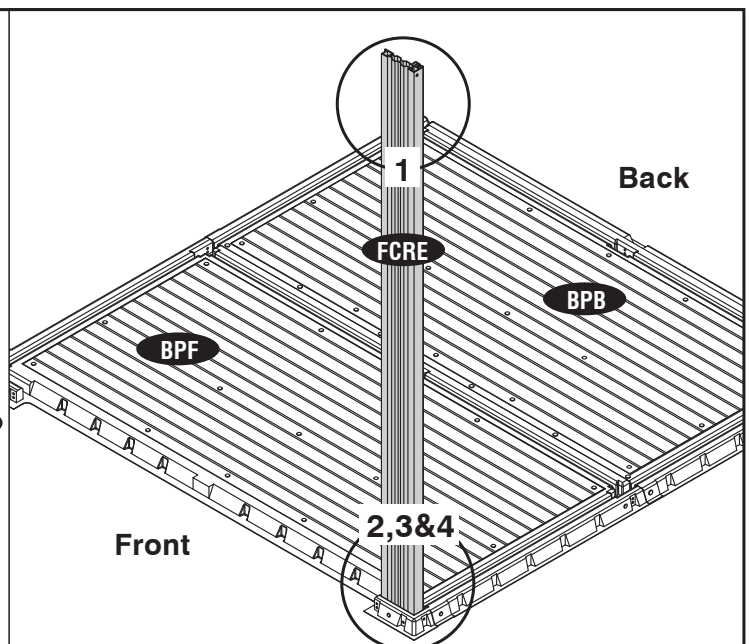


Fig.4



5



Note Check the stamped label on top of all panels inside.

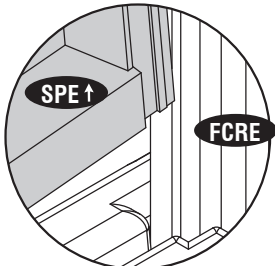
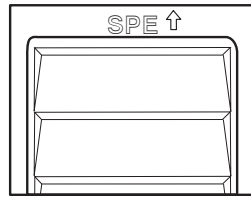
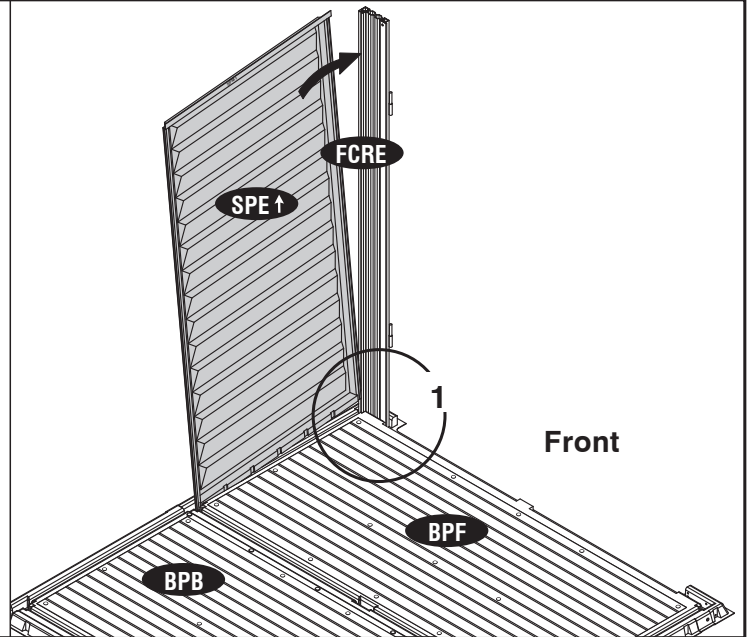


Fig.1



6

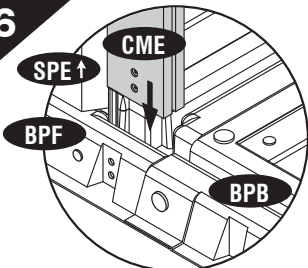


Fig.1

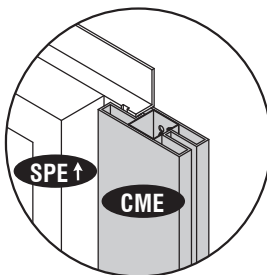


Fig.2

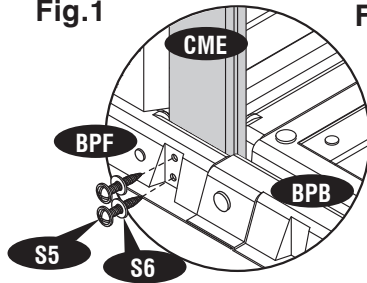
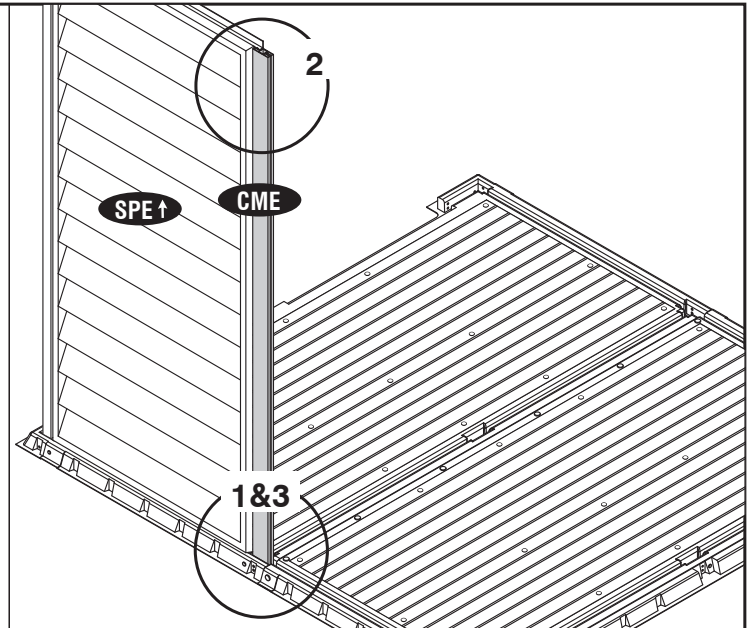


Fig.3



7



Note Do not tighten the screw. Leave it loose

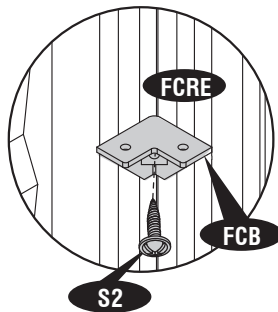
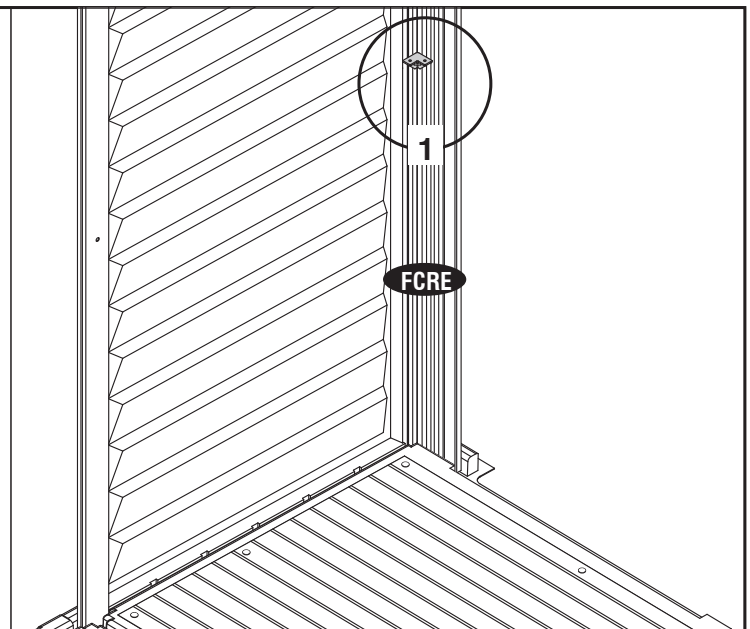


Fig.2



8

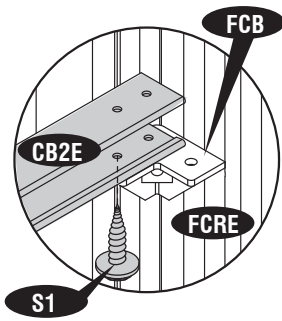


Fig.1

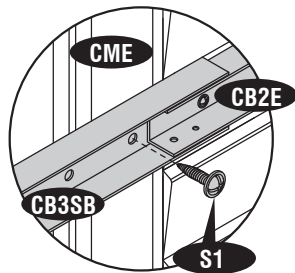
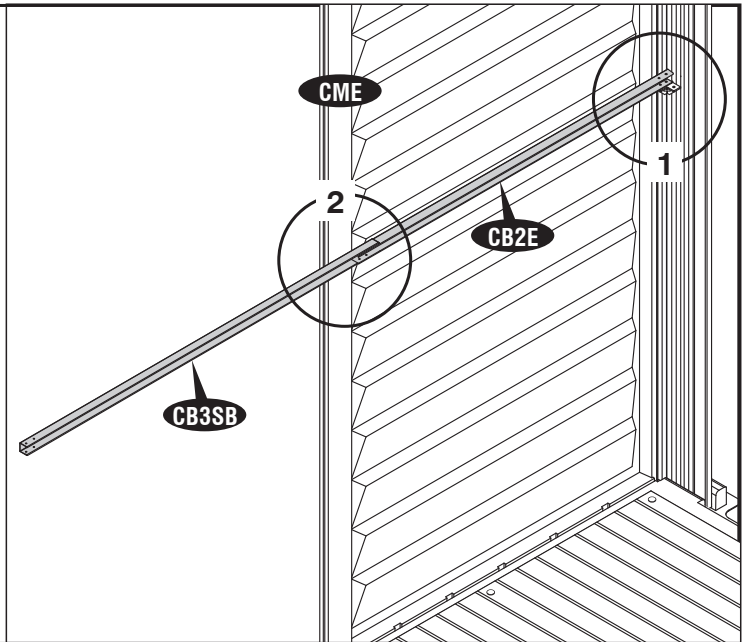


Fig.2



9

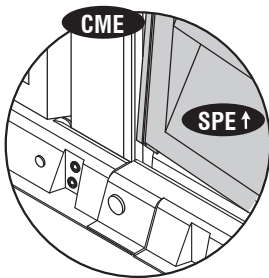


Fig.1

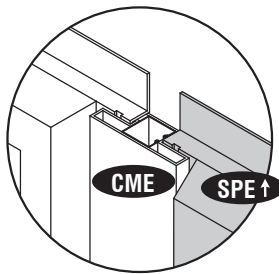
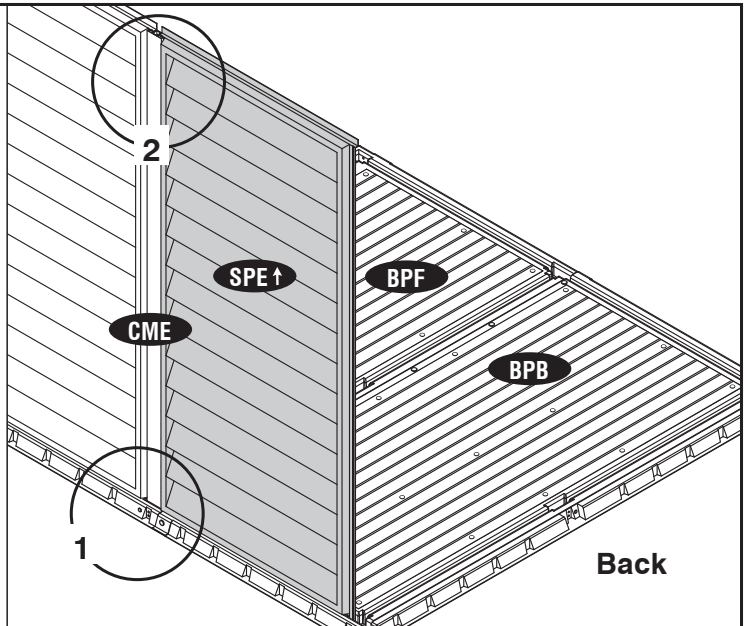


Fig.2



Back

10

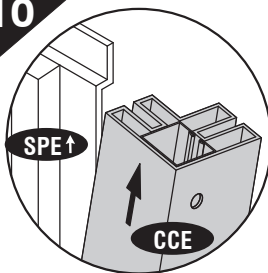


Fig.1

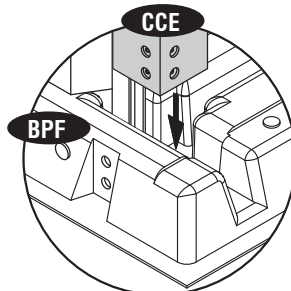


Fig.2

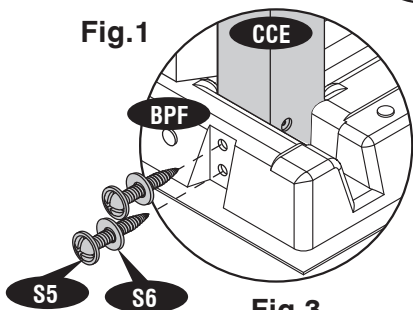
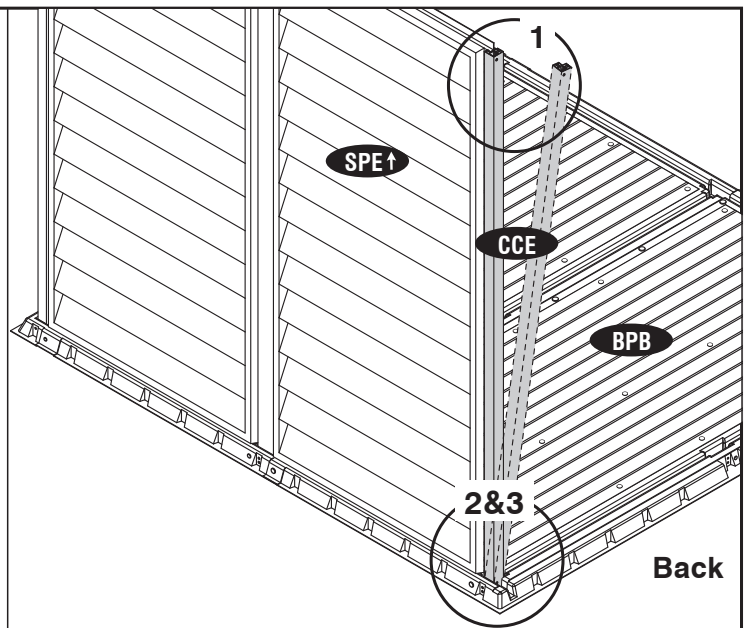
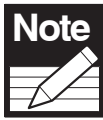


Fig.3



Back

11



Note Do not tighten the screw.
Leave it loose

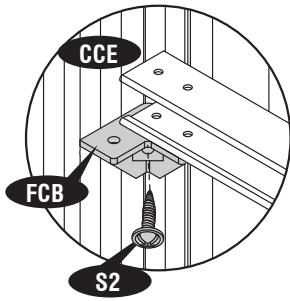
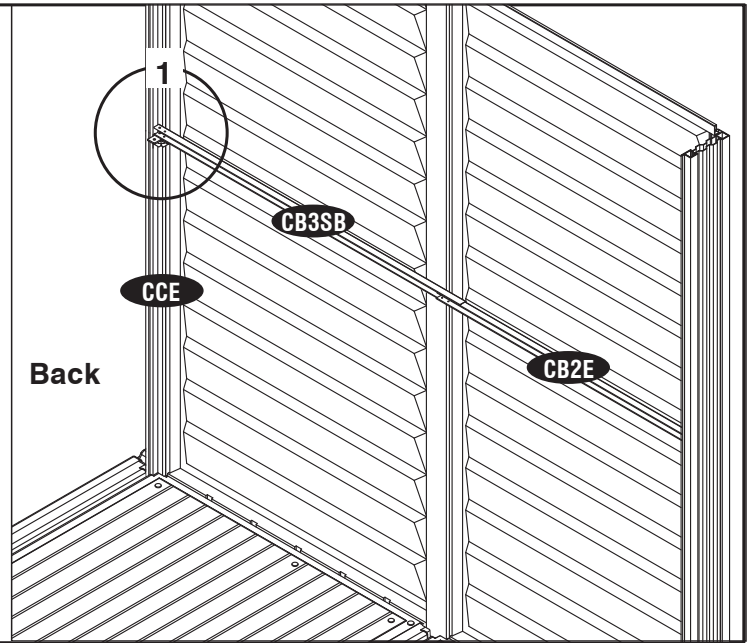


Fig.1



12

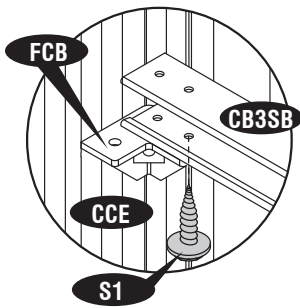
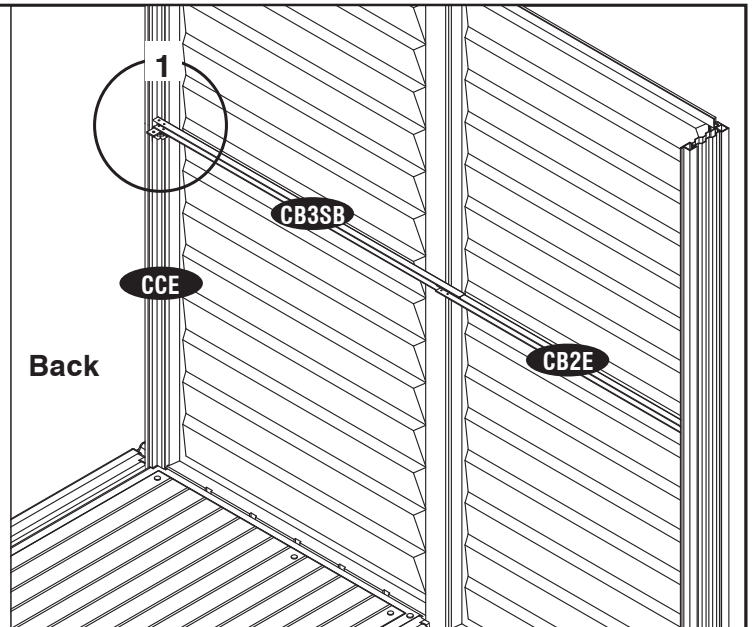


Fig.1



13

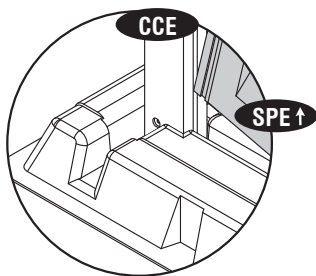


Fig.1

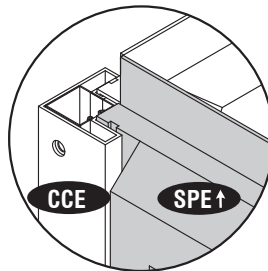
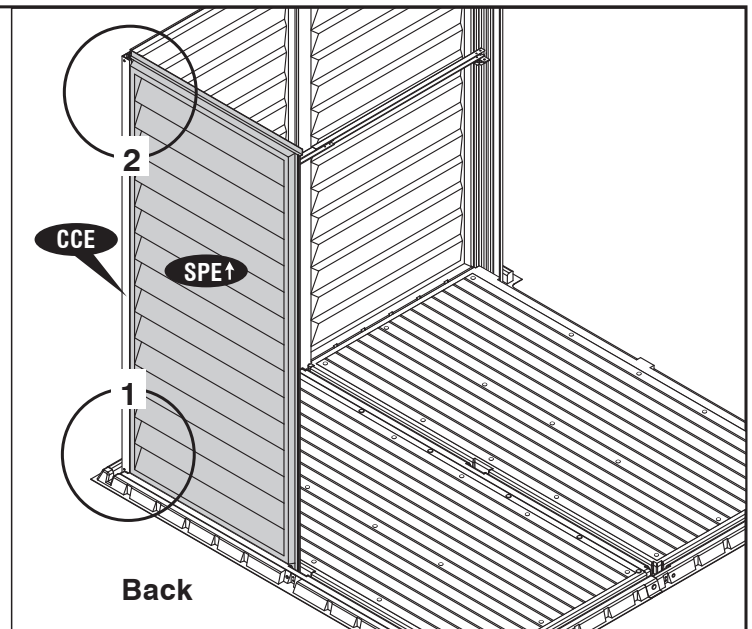


Fig.2



14

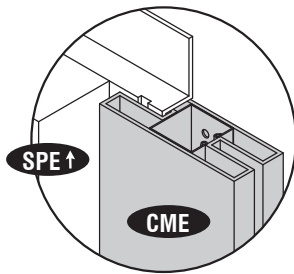
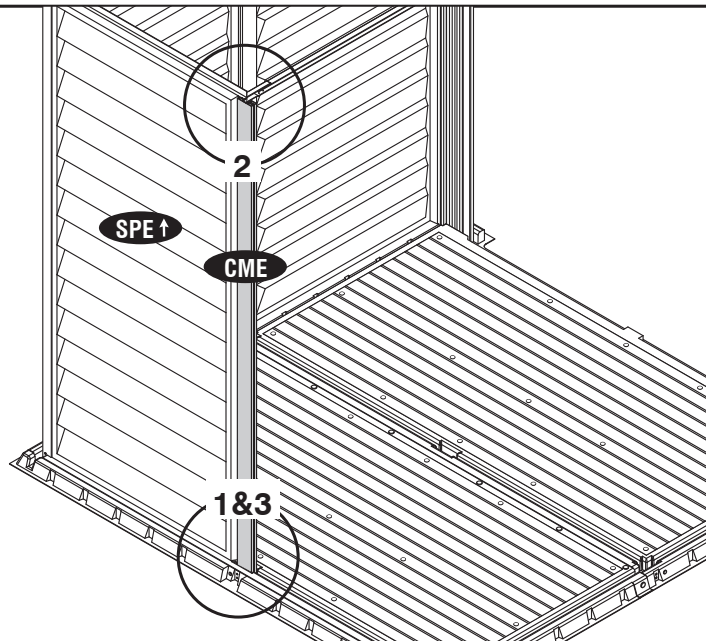


Fig.2



15

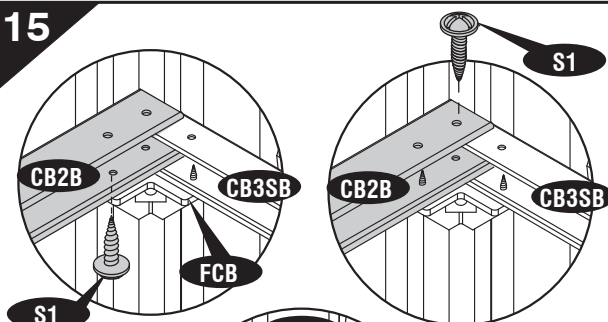


Fig.1

Fig.2

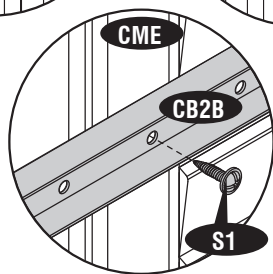
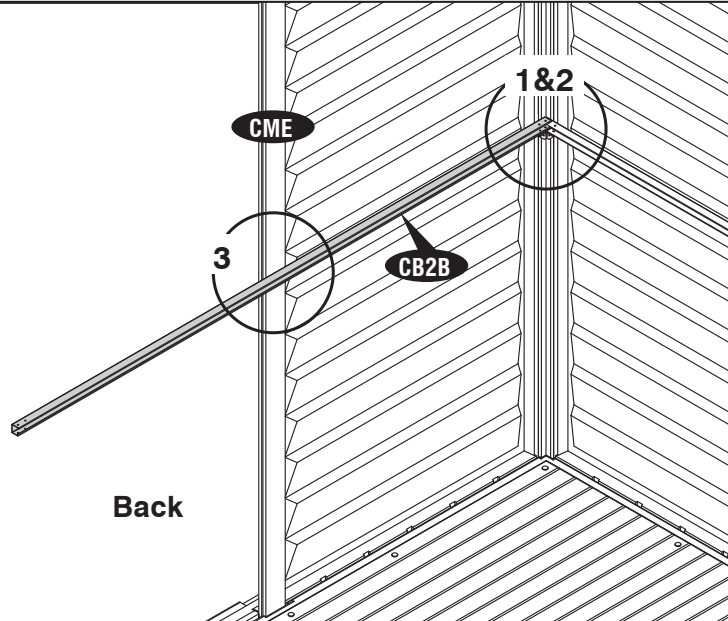


Fig.3



16

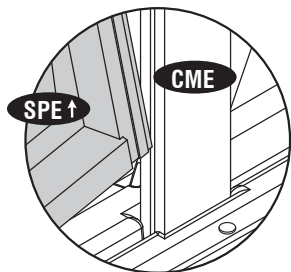
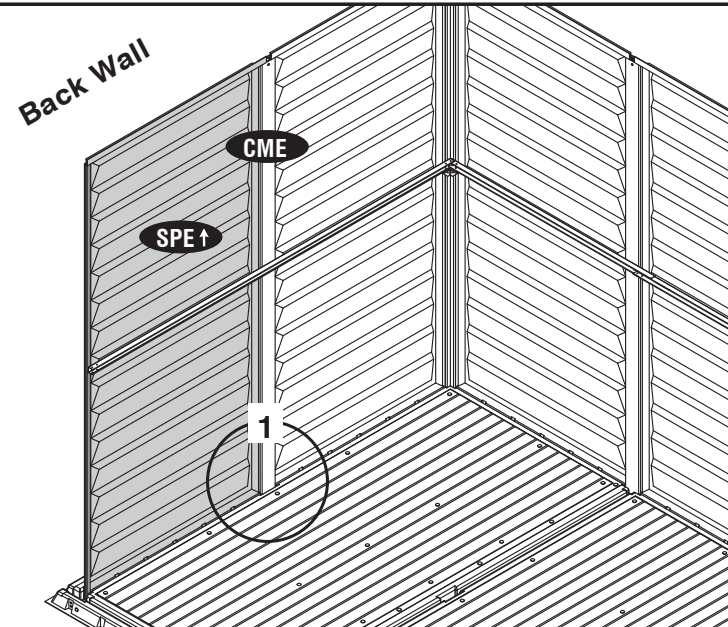


Fig.1



17

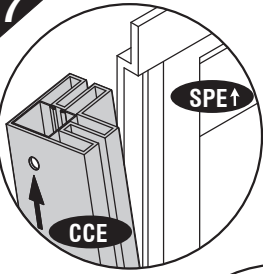


Fig.1

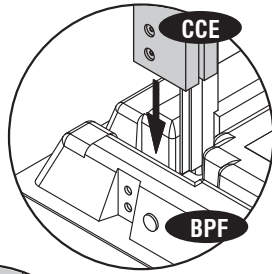


Fig.2

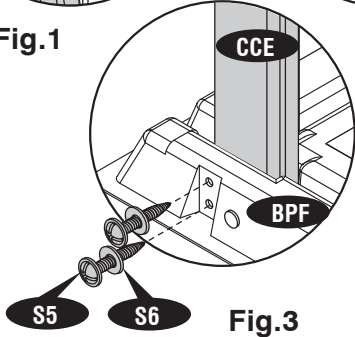
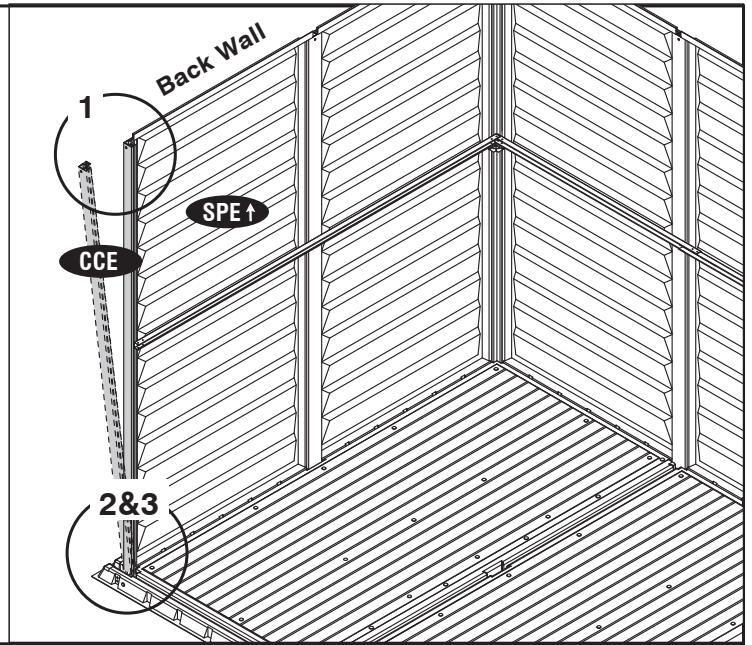


Fig.3



18



Note Do not tighten the screw. Leave it loose

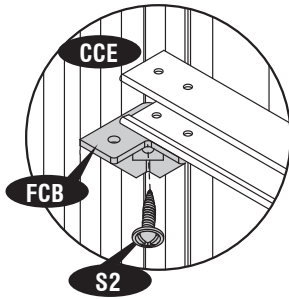
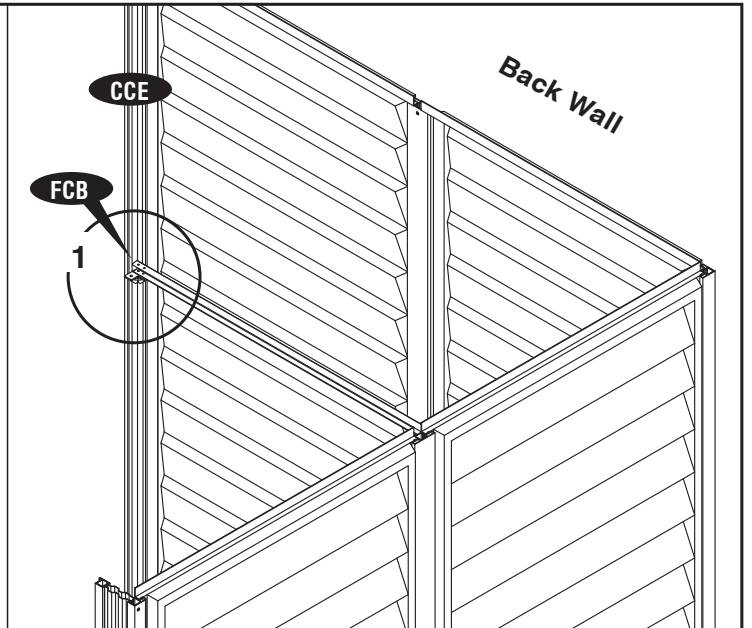


Fig.1



19

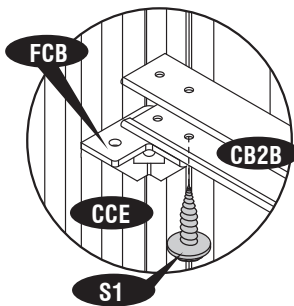
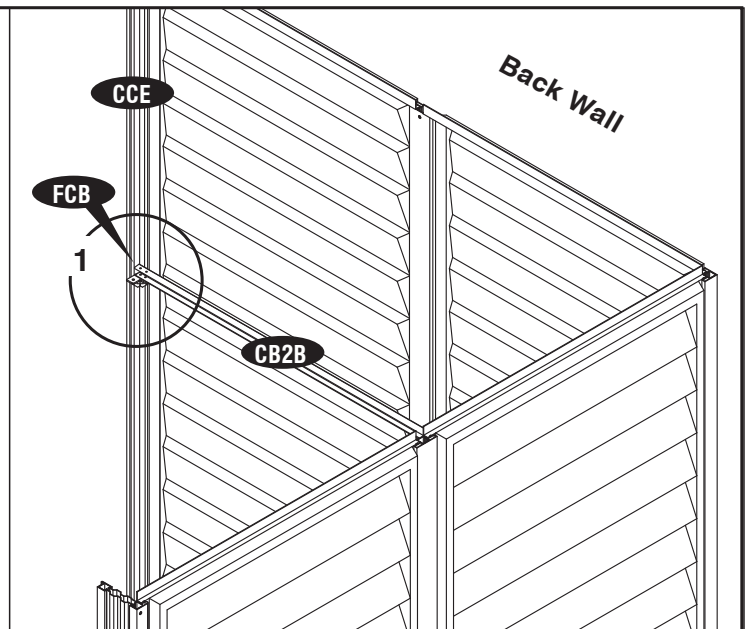


Fig.1



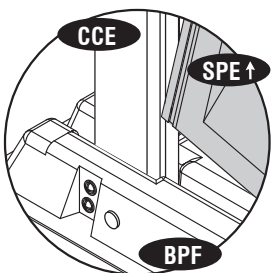


Fig.1

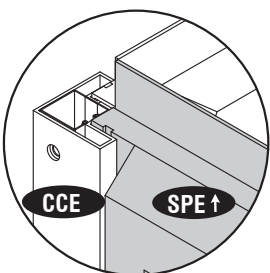


Fig.2

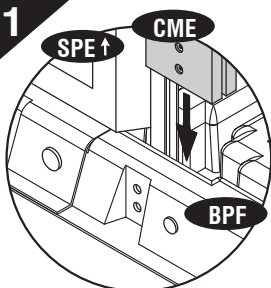
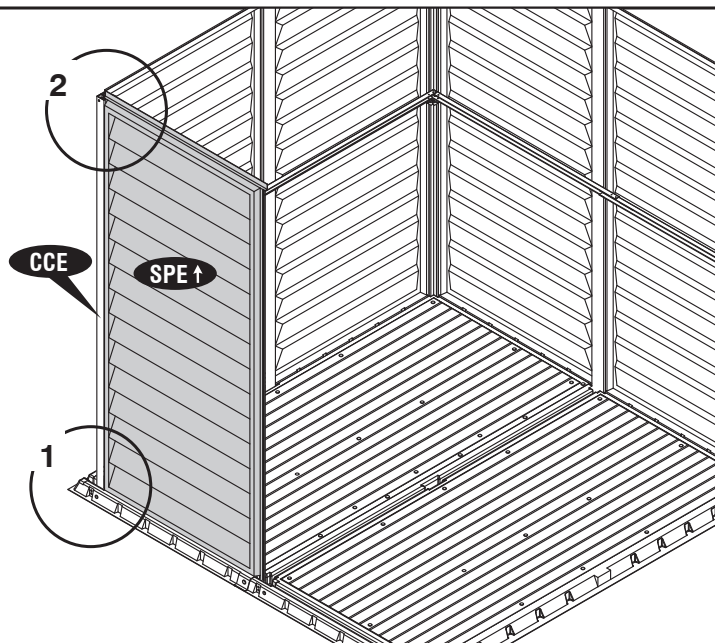


Fig.1

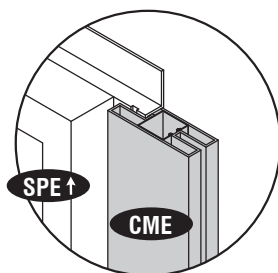


Fig.2

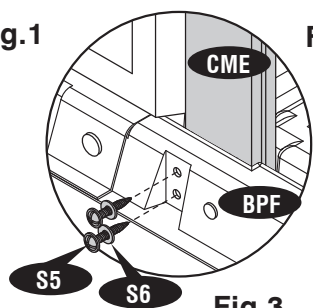


Fig.3

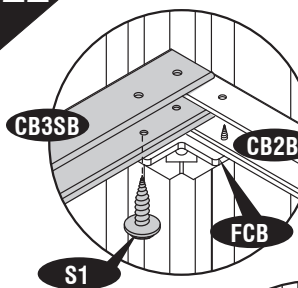
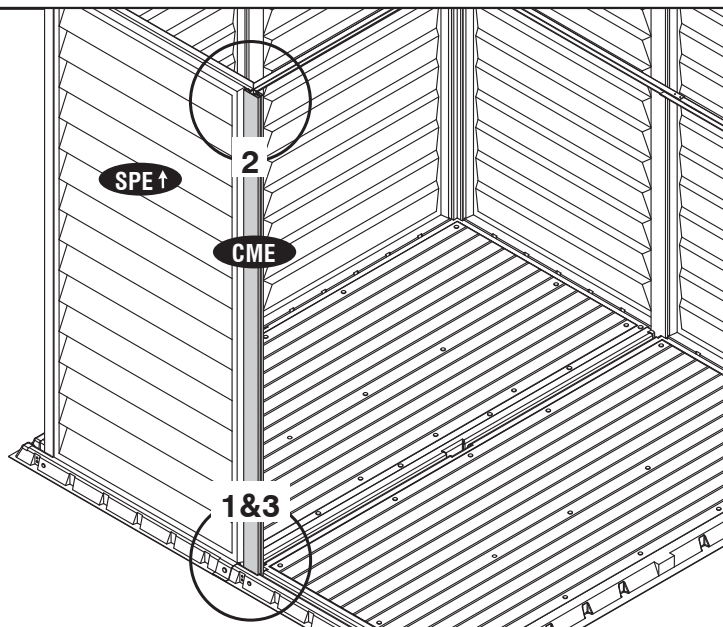


Fig.1

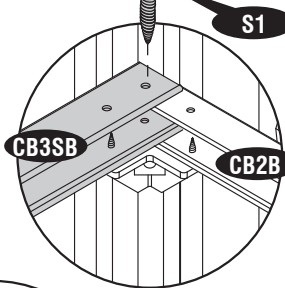


Fig.2

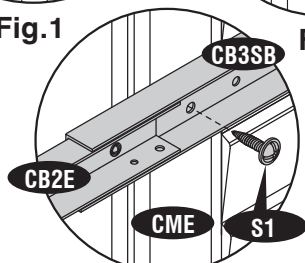
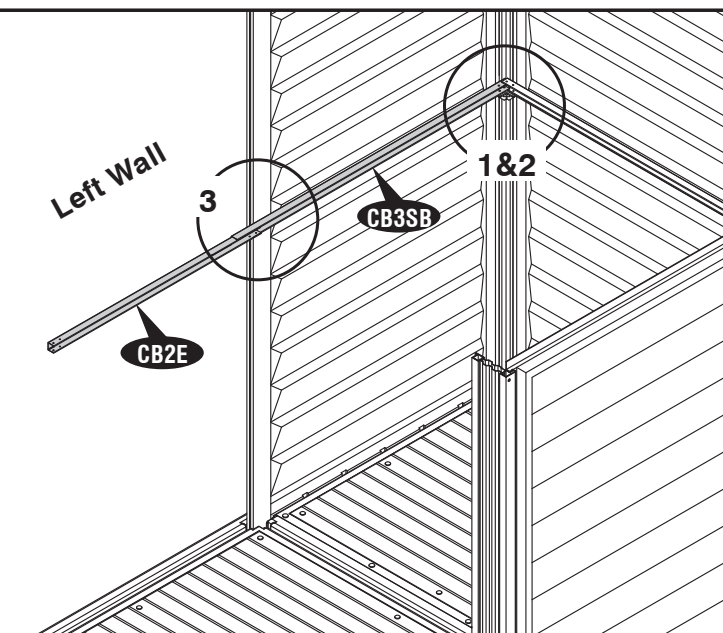


Fig.3



23

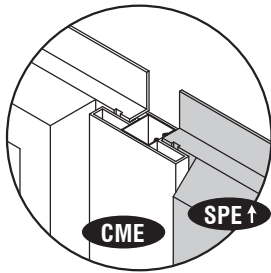
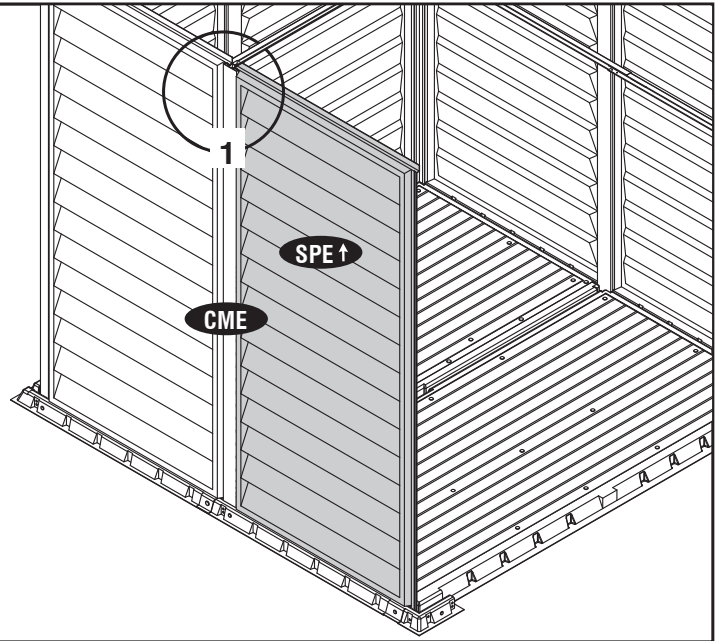


Fig.1



24

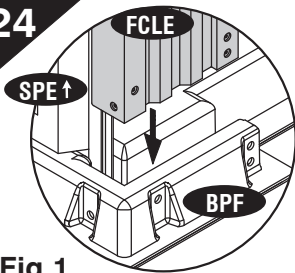


Fig.1

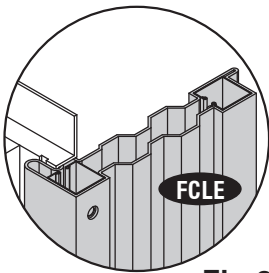


Fig.2

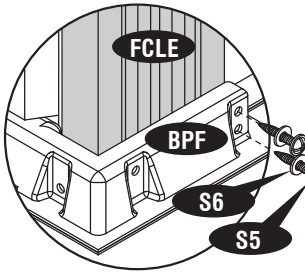


Fig.3

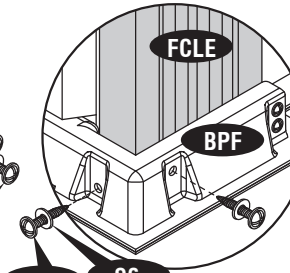
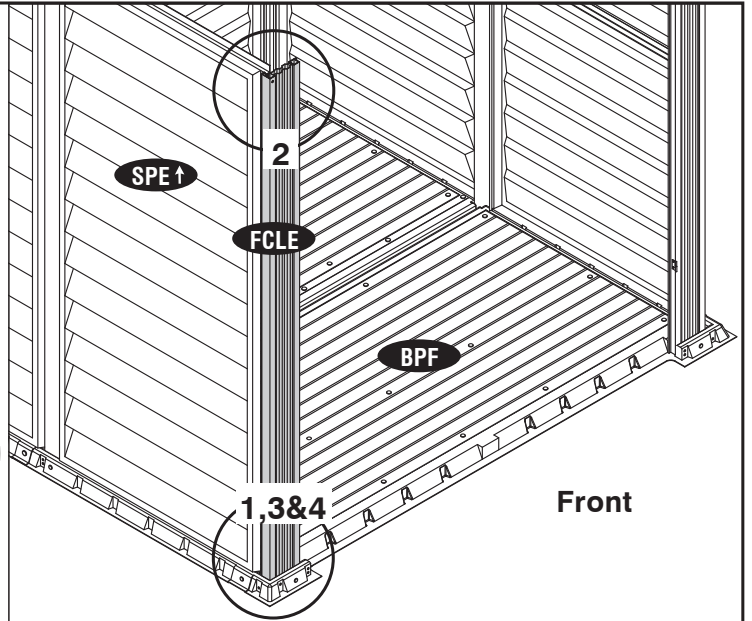
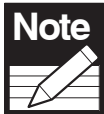


Fig.4



25



Note Do not tighten the screw. Leave it loose.

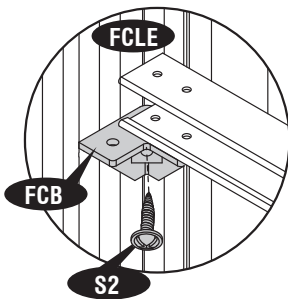
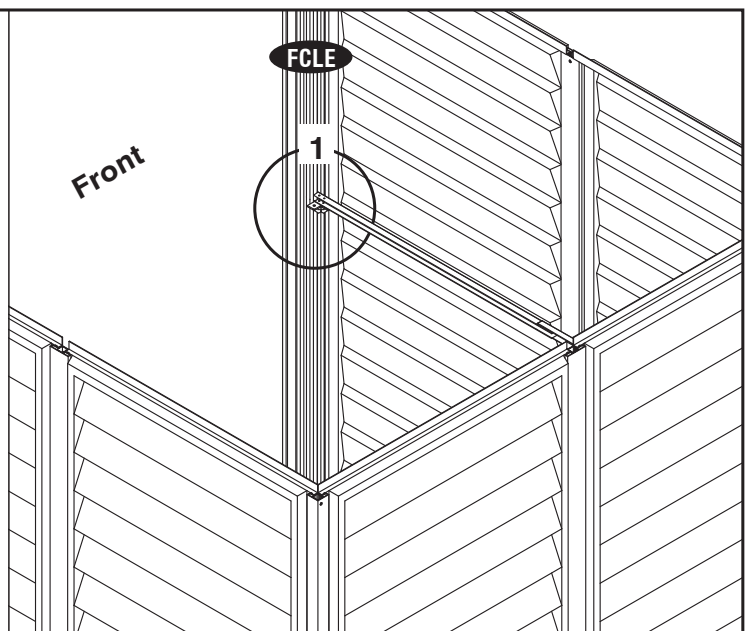


Fig.1



26

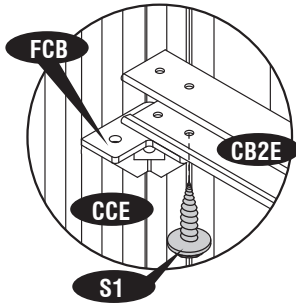
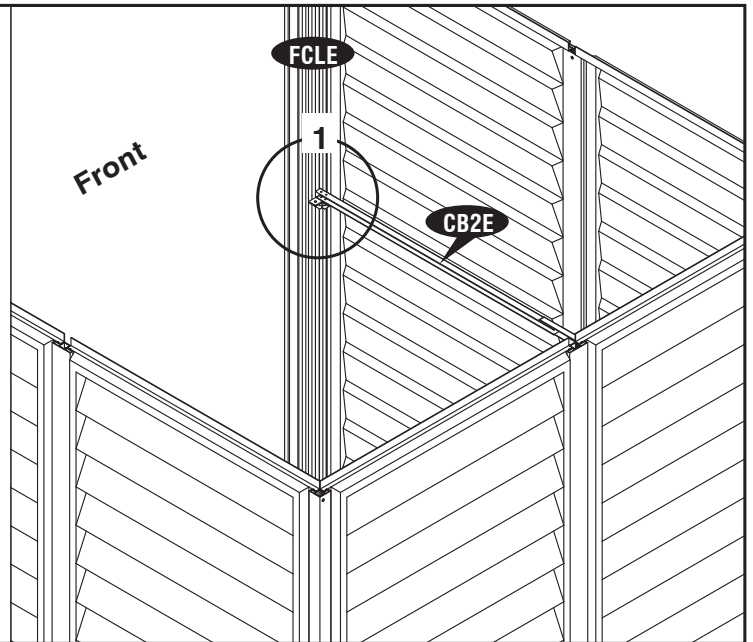


Fig.1



Note After completing the center band assembly, fully tighten the four center band fittings (FCB) to the corner column.



27

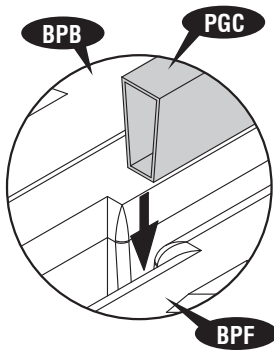


Fig.1

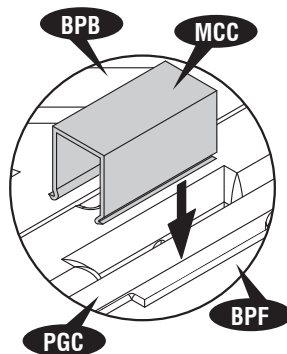
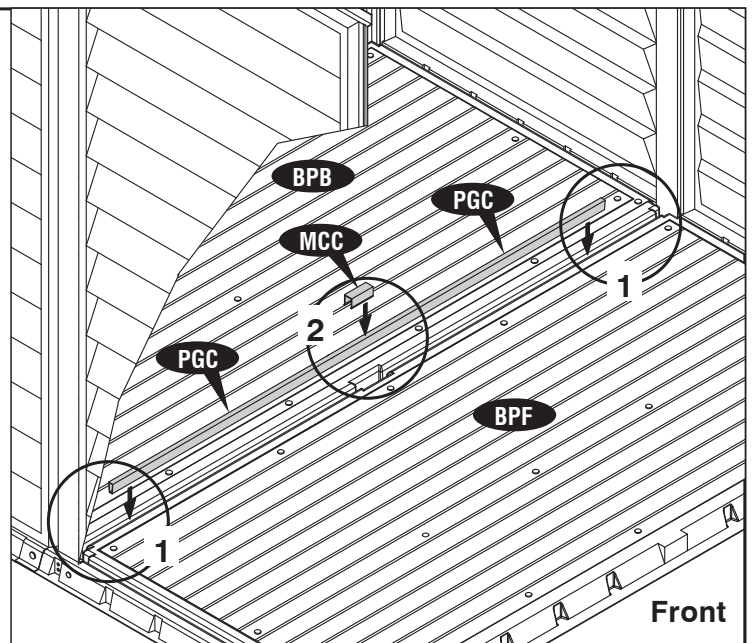


Fig.2



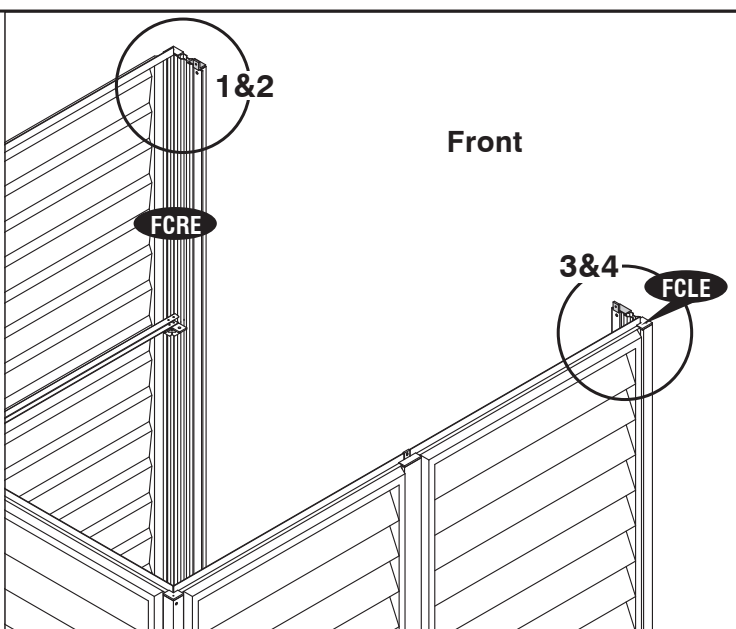
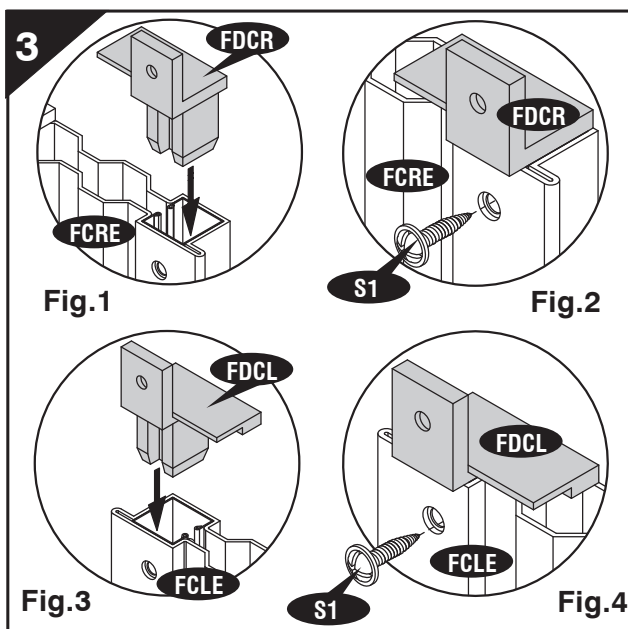
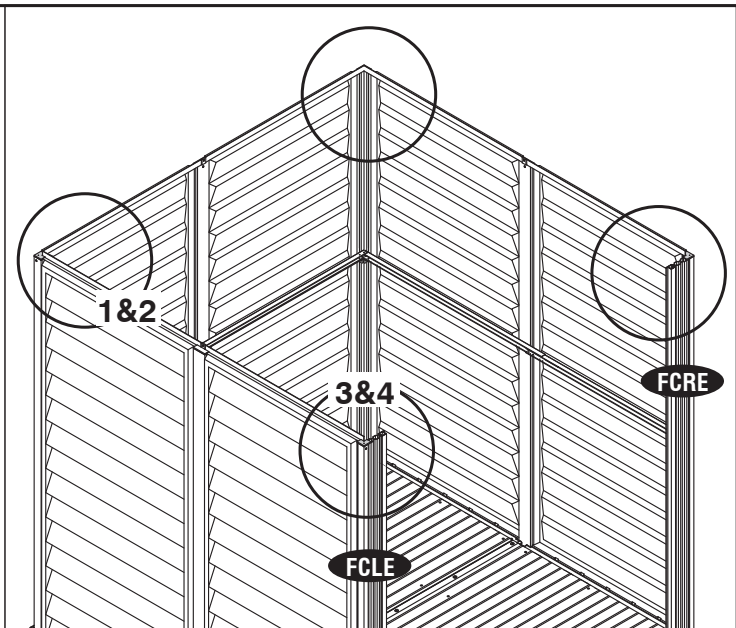
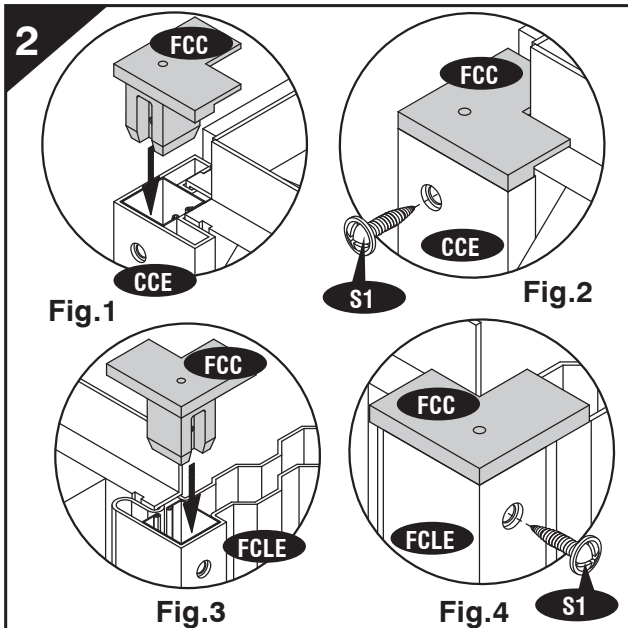
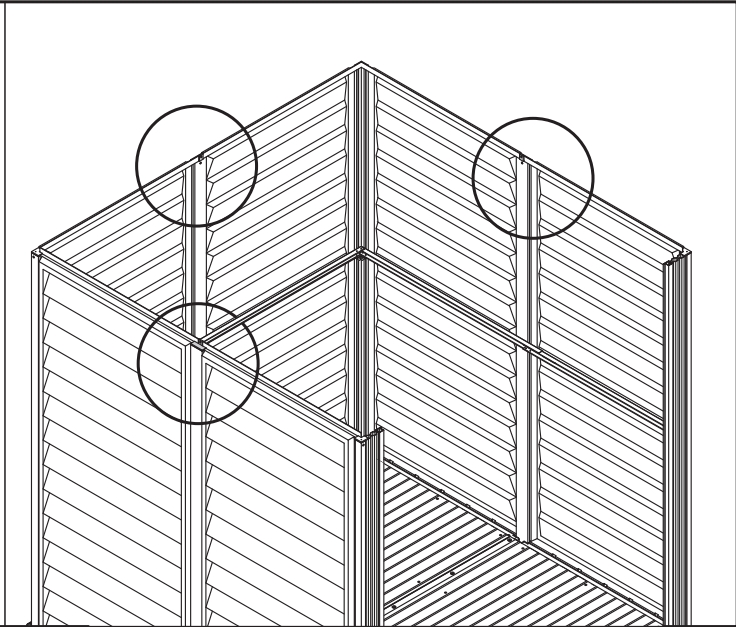
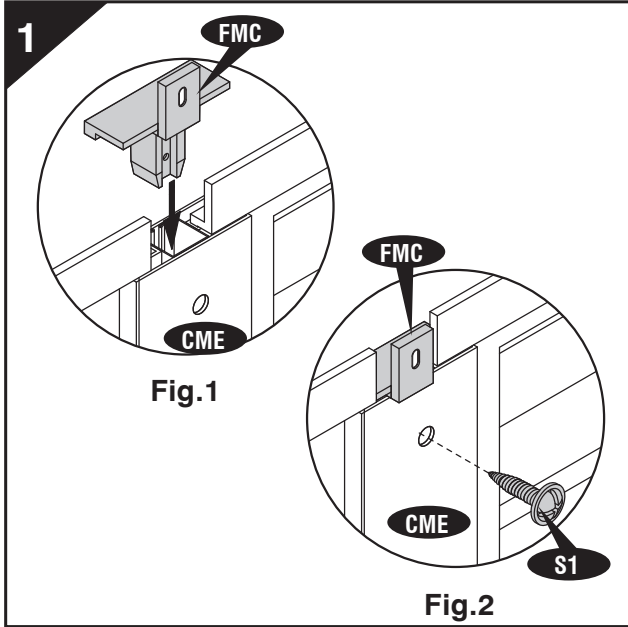
B. Roof Structures

Parts Needed

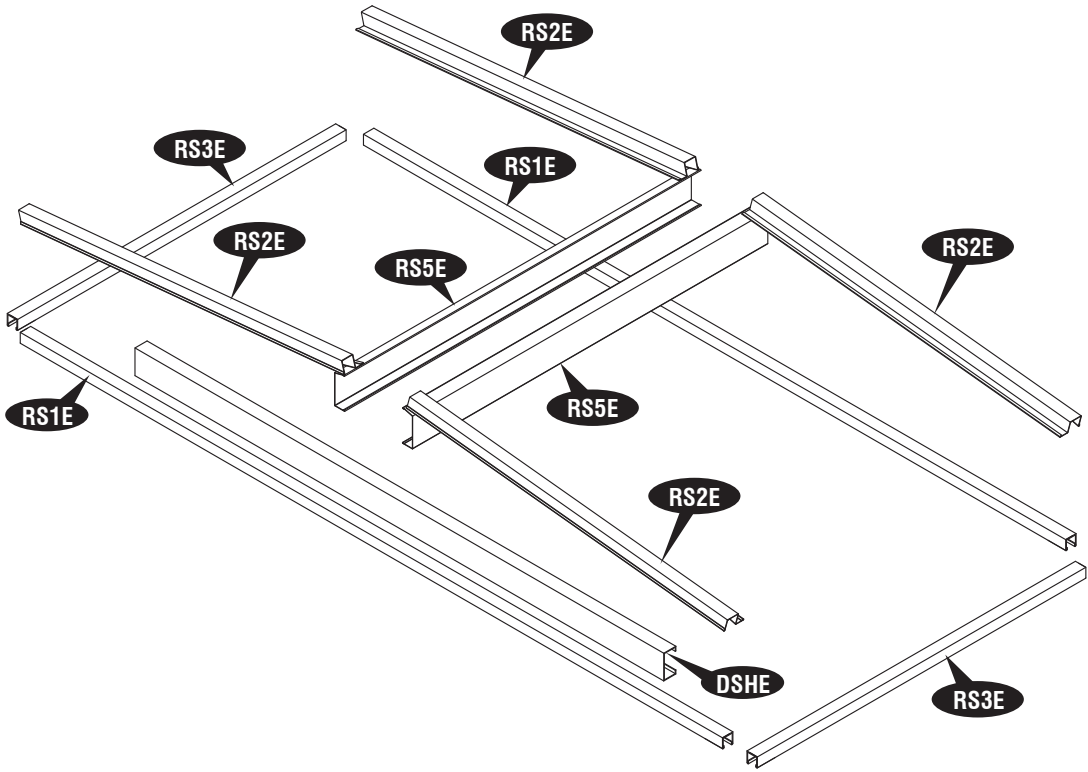
Code	Qty
RS1E	2
RS2E	4
RS3E	2
RS5E	2
DSHE	1
FDCL	1
FDCR	1
FCC	4
FMC	1
RJ	4
S1	36
S2	4

Parts Needed For Each Extension

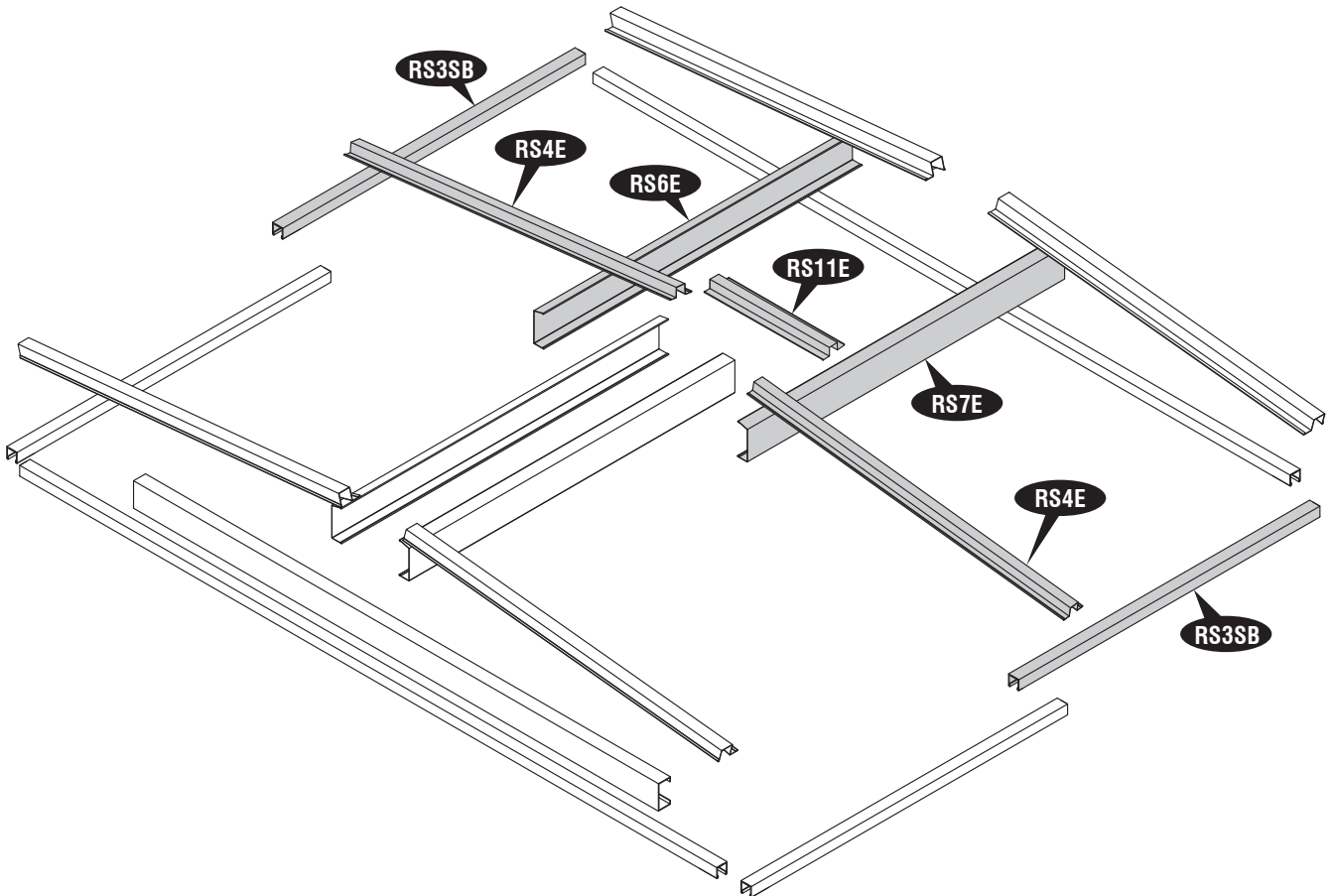
Code	Qty
RS3SB	2
RS4E	2
RS6E	1
RS7E	1
RS11E	1
FMC	2
S1	20
S3	8



5' x 3' Roof Structure Exploded View

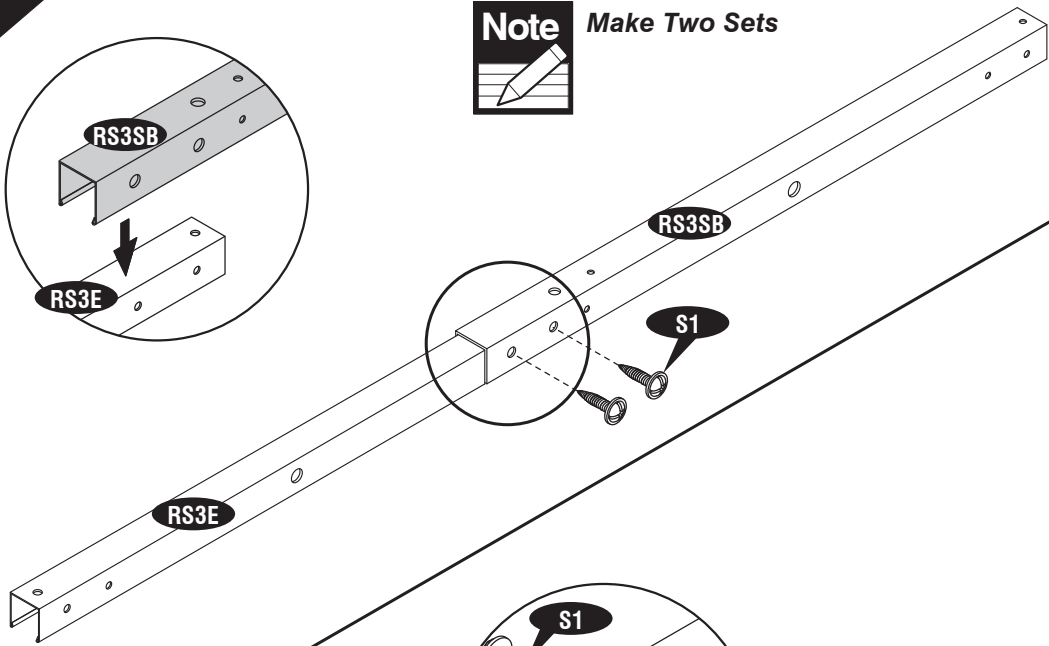
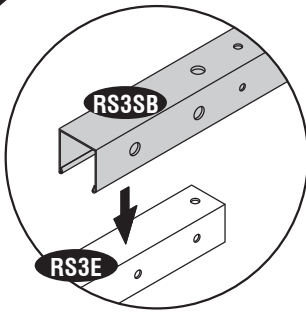


Roof Structure Exploded View With One Extension



4

Note Make Two Sets



5

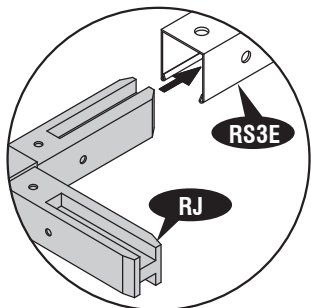


Fig.1

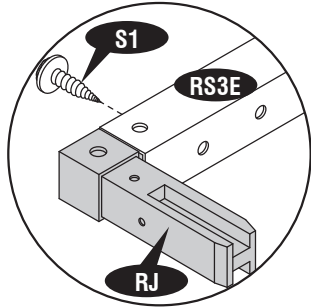
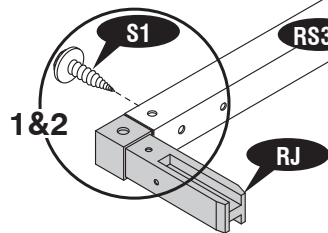
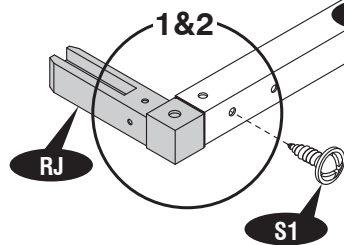


Fig.2



1&2



1&2

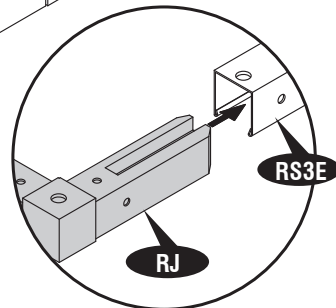


Fig.1

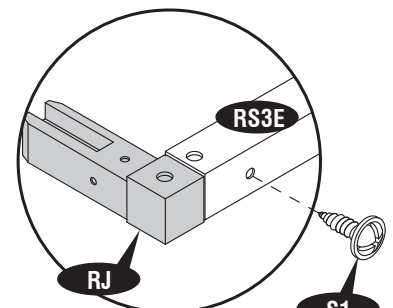
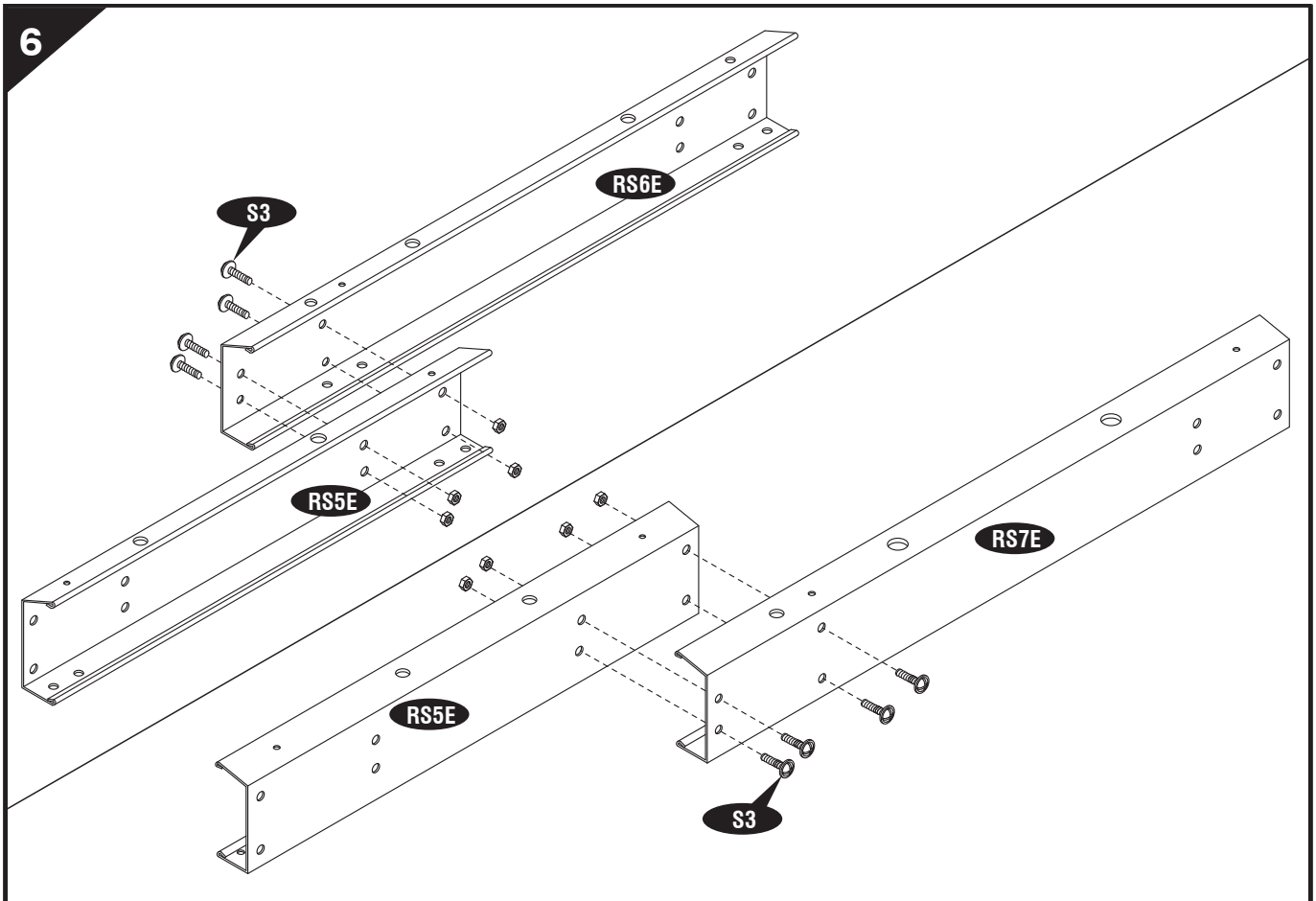


Fig.2

6



7

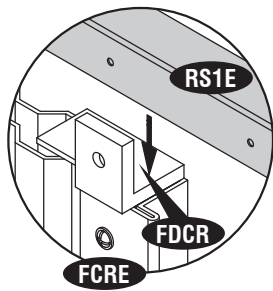


Fig.1

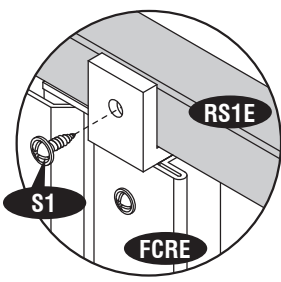


Fig.2

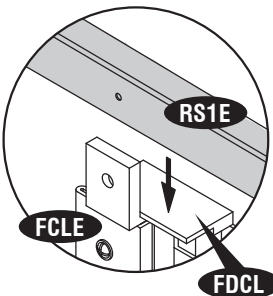


Fig.3

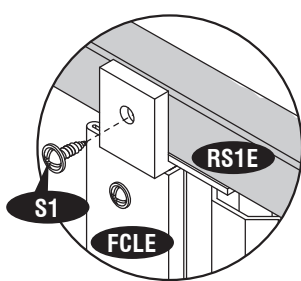
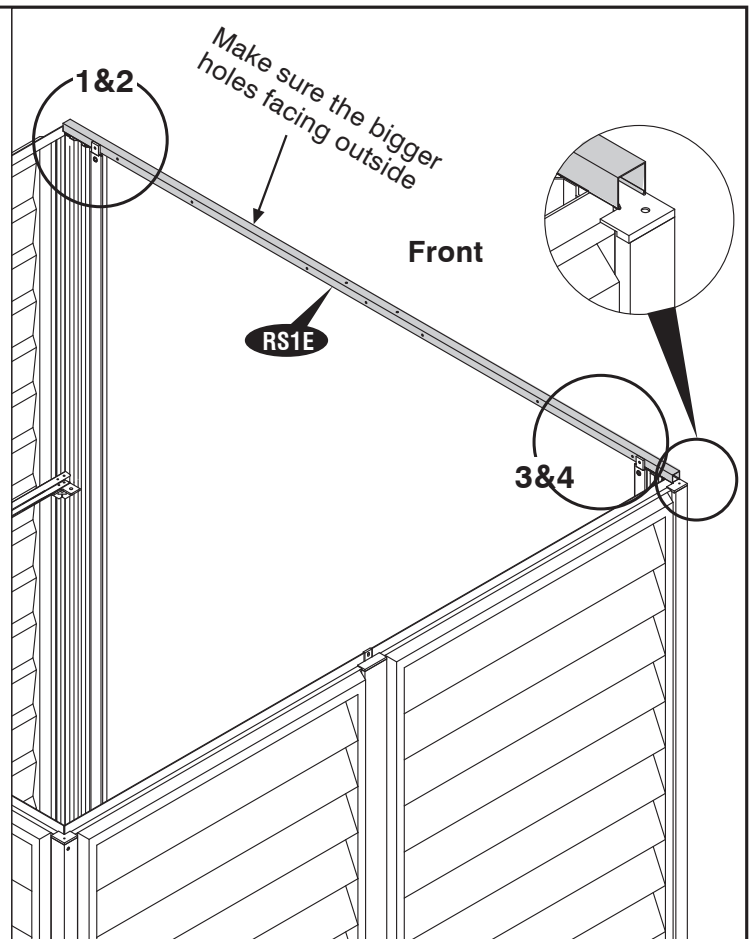


Fig.4



8

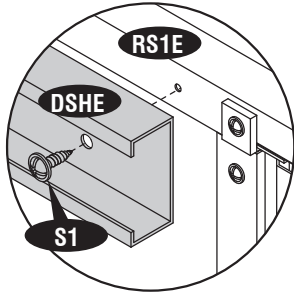


Fig.1

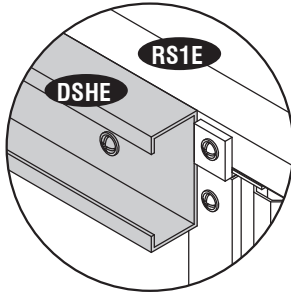


Fig.2

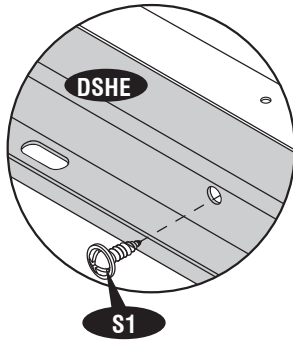
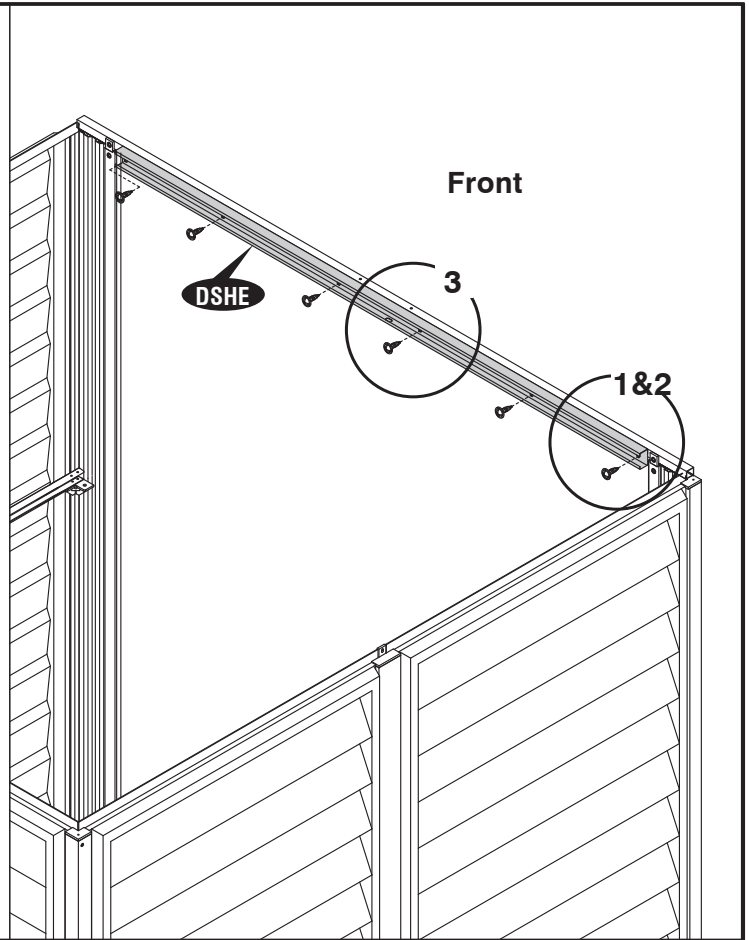
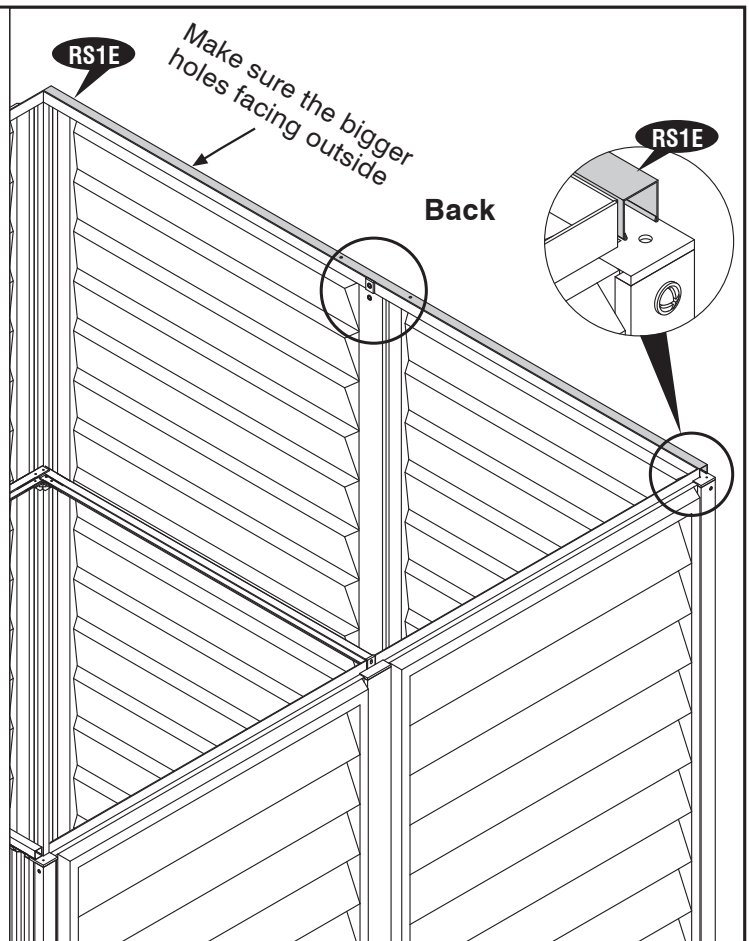
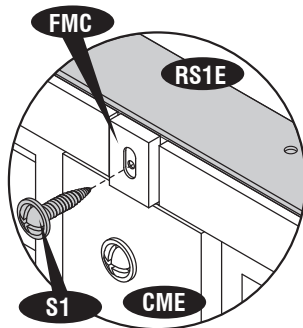


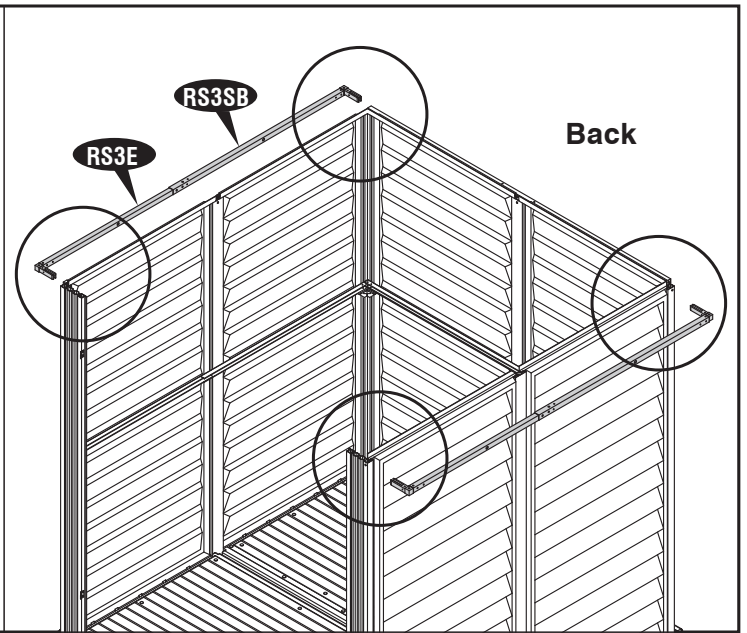
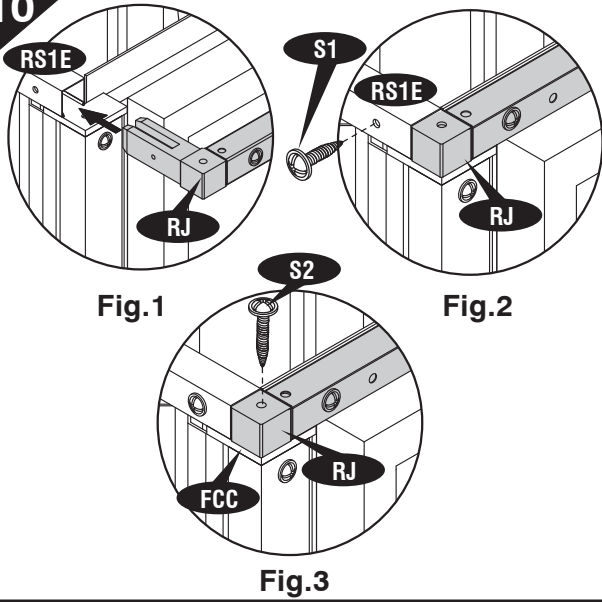
Fig.3



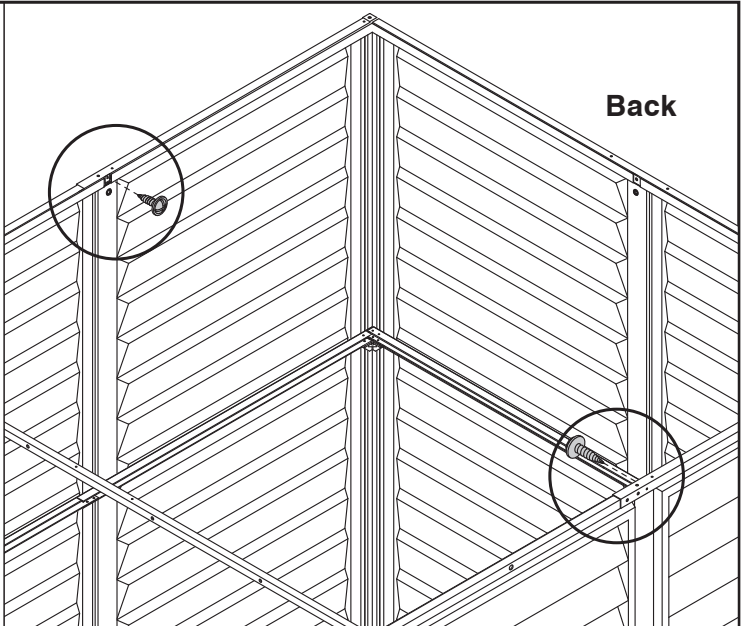
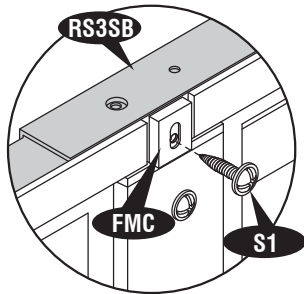
9



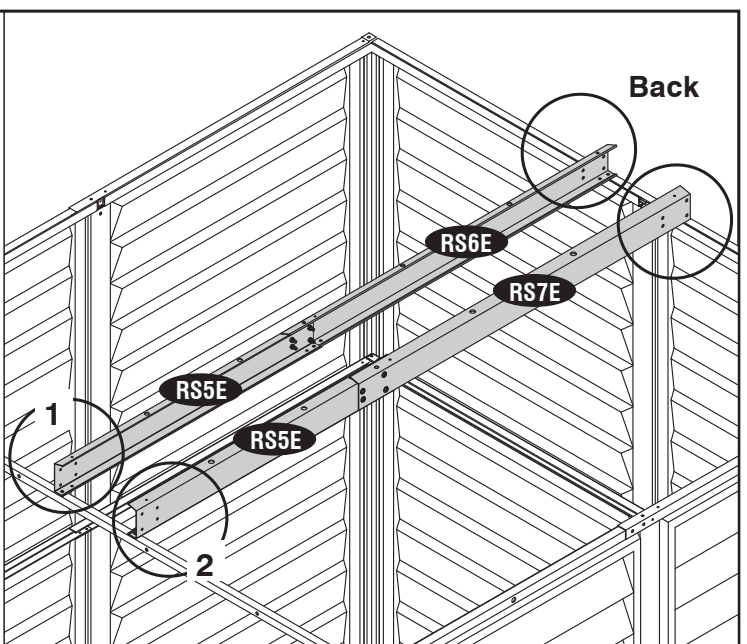
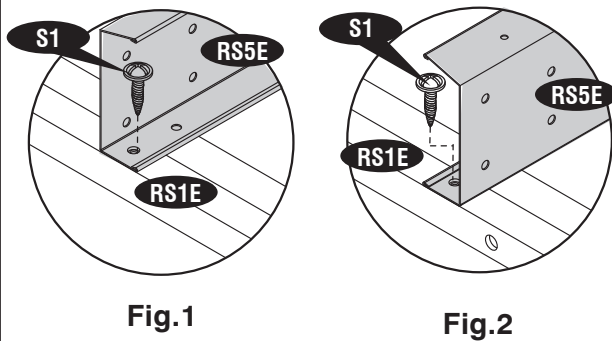
10



11



12



13

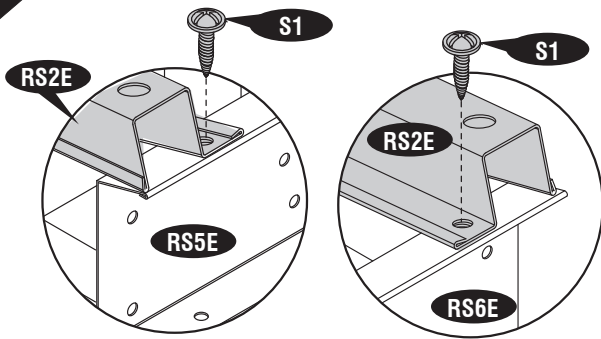


Fig.1

Fig.2

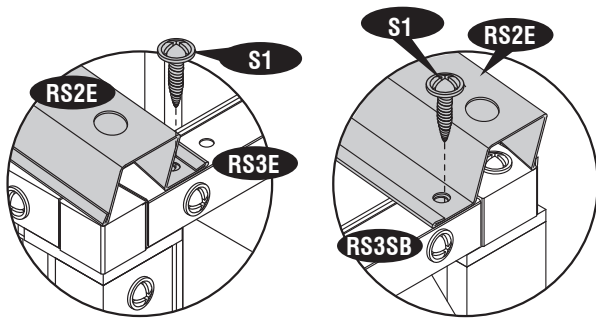
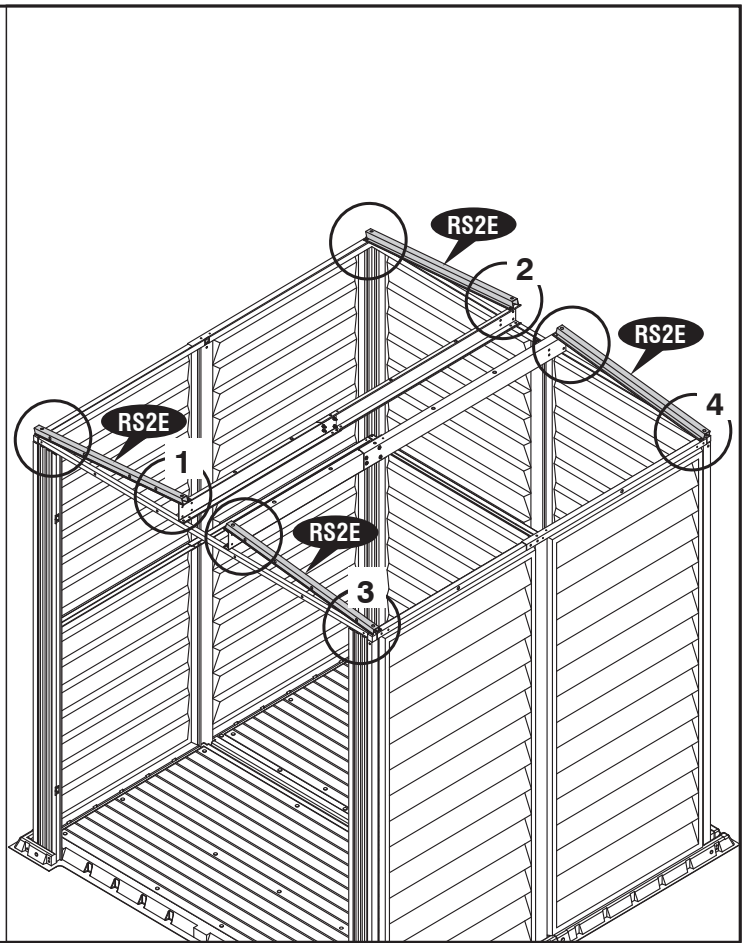


Fig.3

Fig.4



14

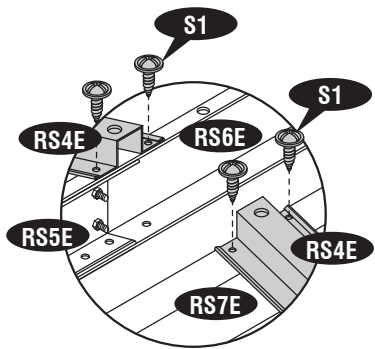


Fig.1

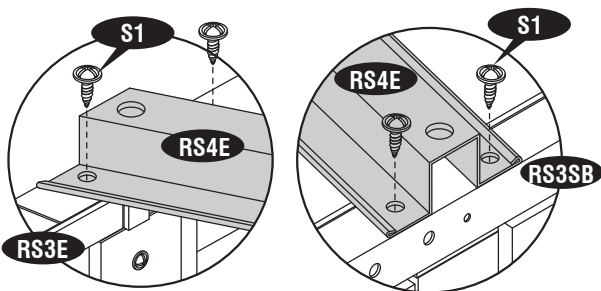
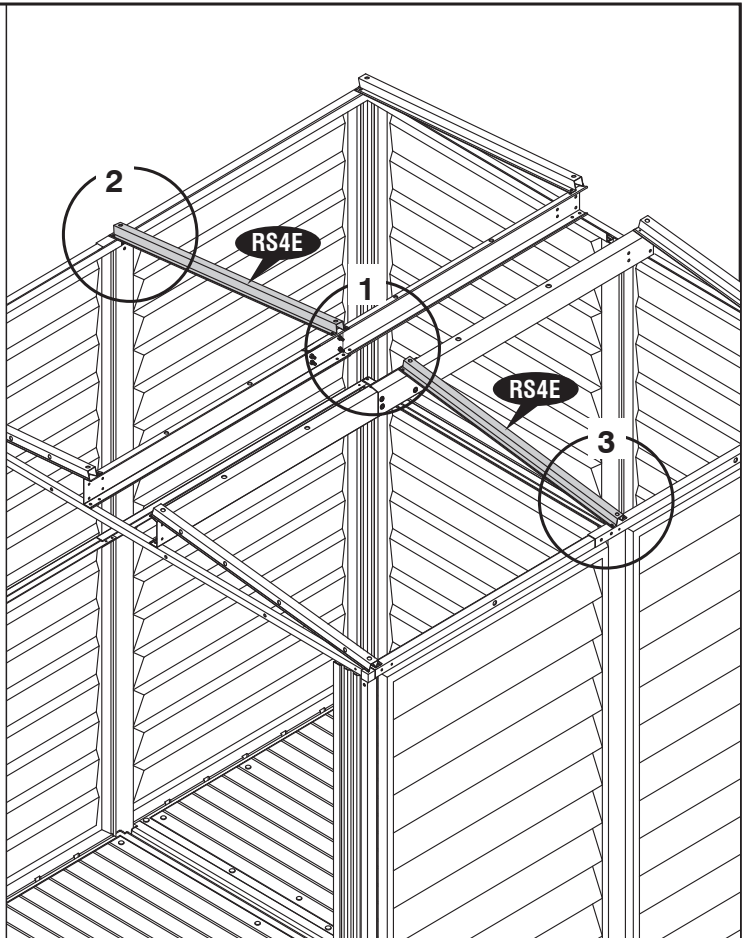
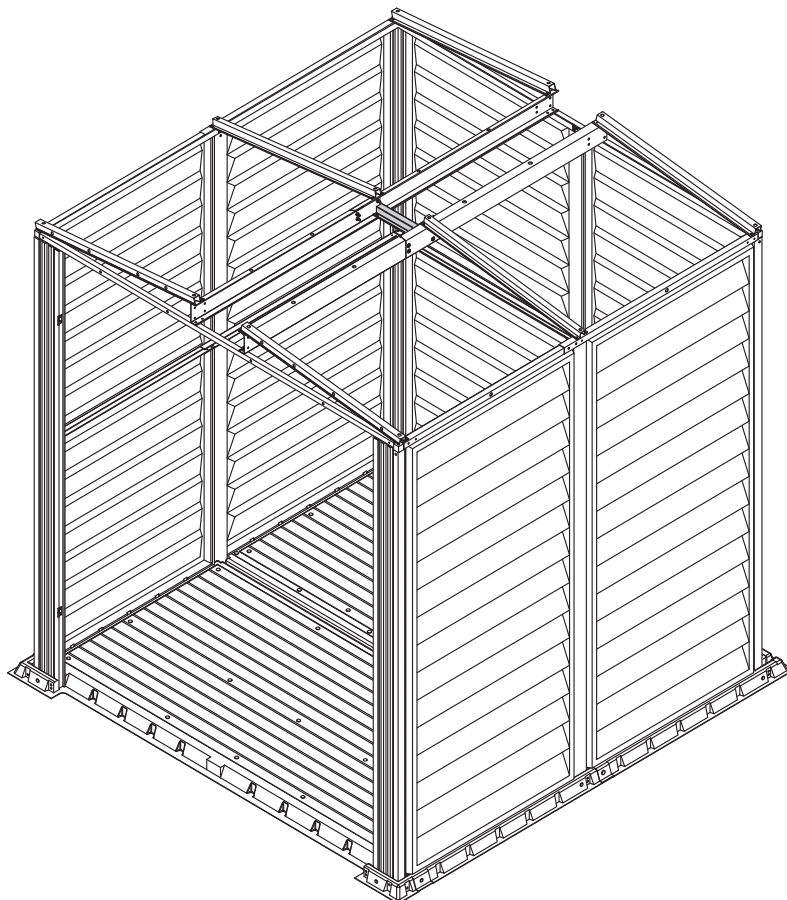
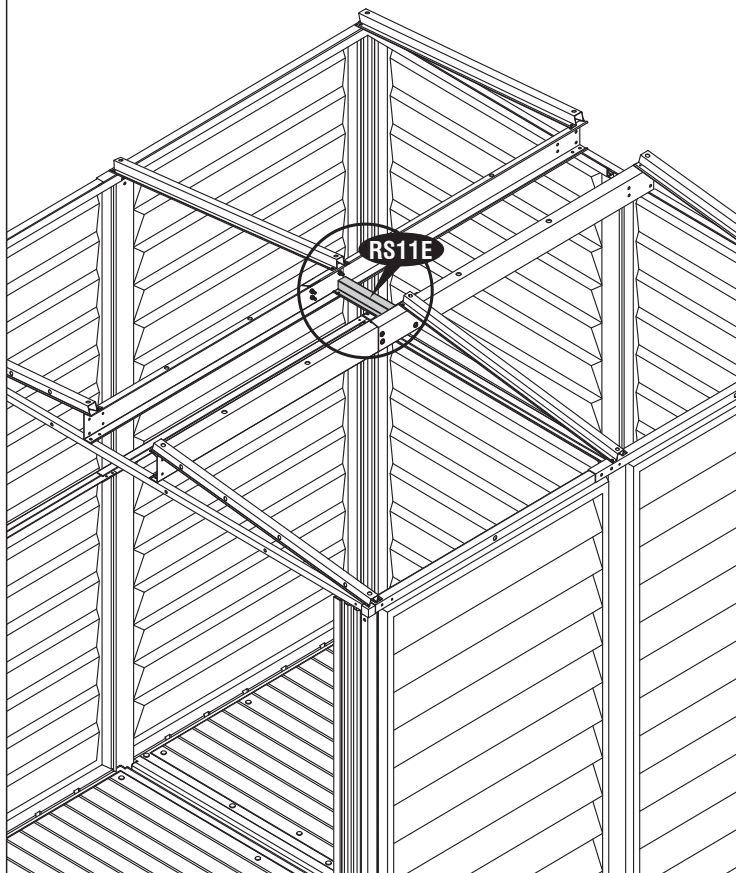
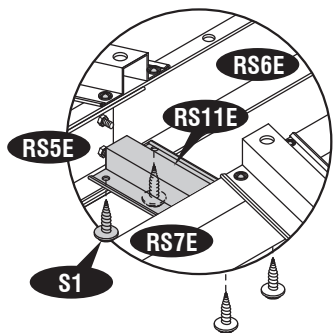


Fig.2

Fig.3





C. Roof Panels

Parts Needed

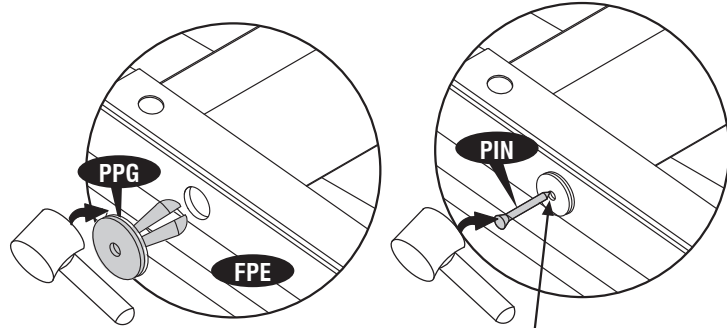
Code	Qty
RP↑	2
FPE	2
RRE	1
PPG	34
PIN	34
RS14E	2

Parts Needed For Each Extension

Code	Qty
RP↑	2
RRE	1
PPG	10
PIN	10
RS14E	2

Note

Insert roof plugs into Facia Panel only as indicated.

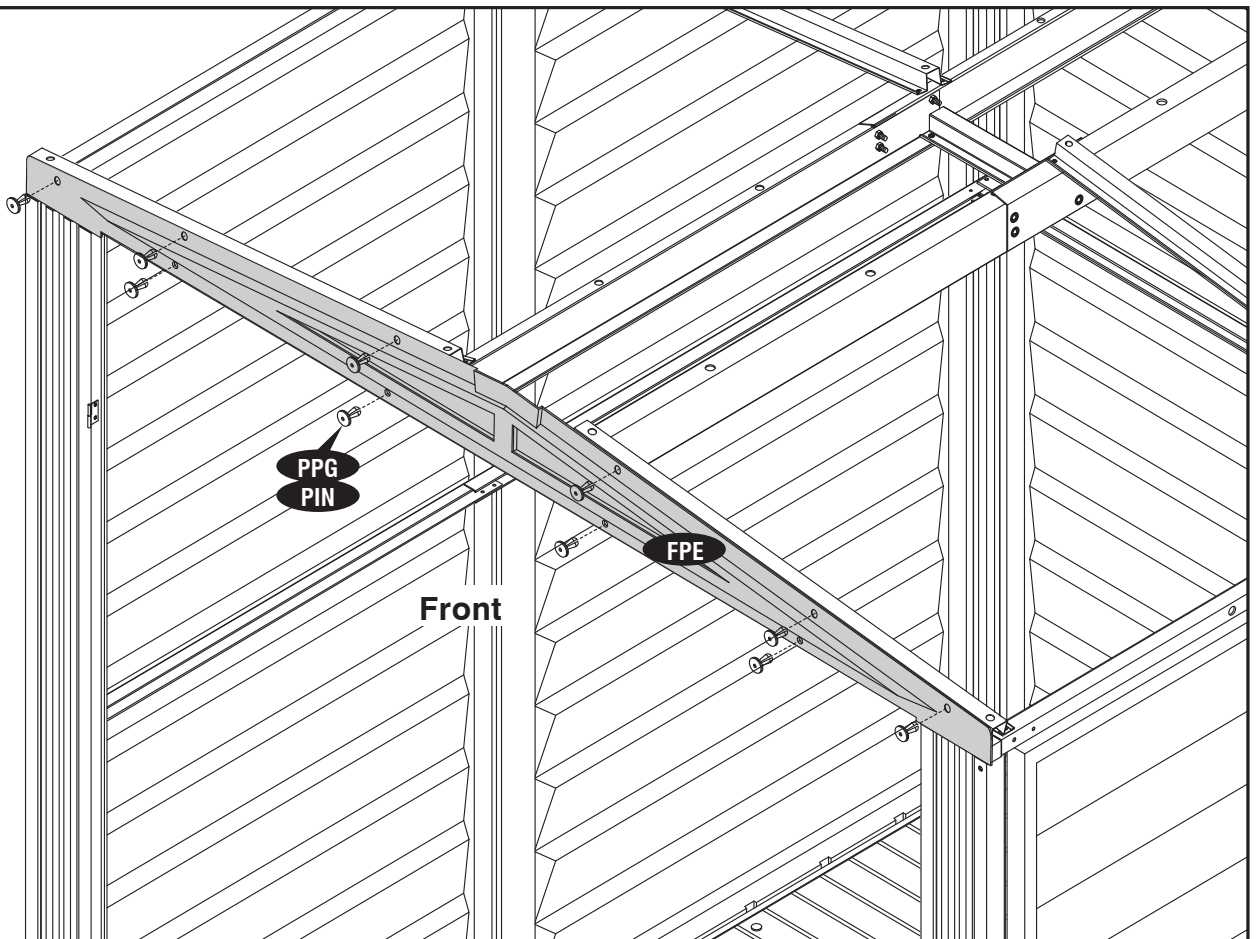


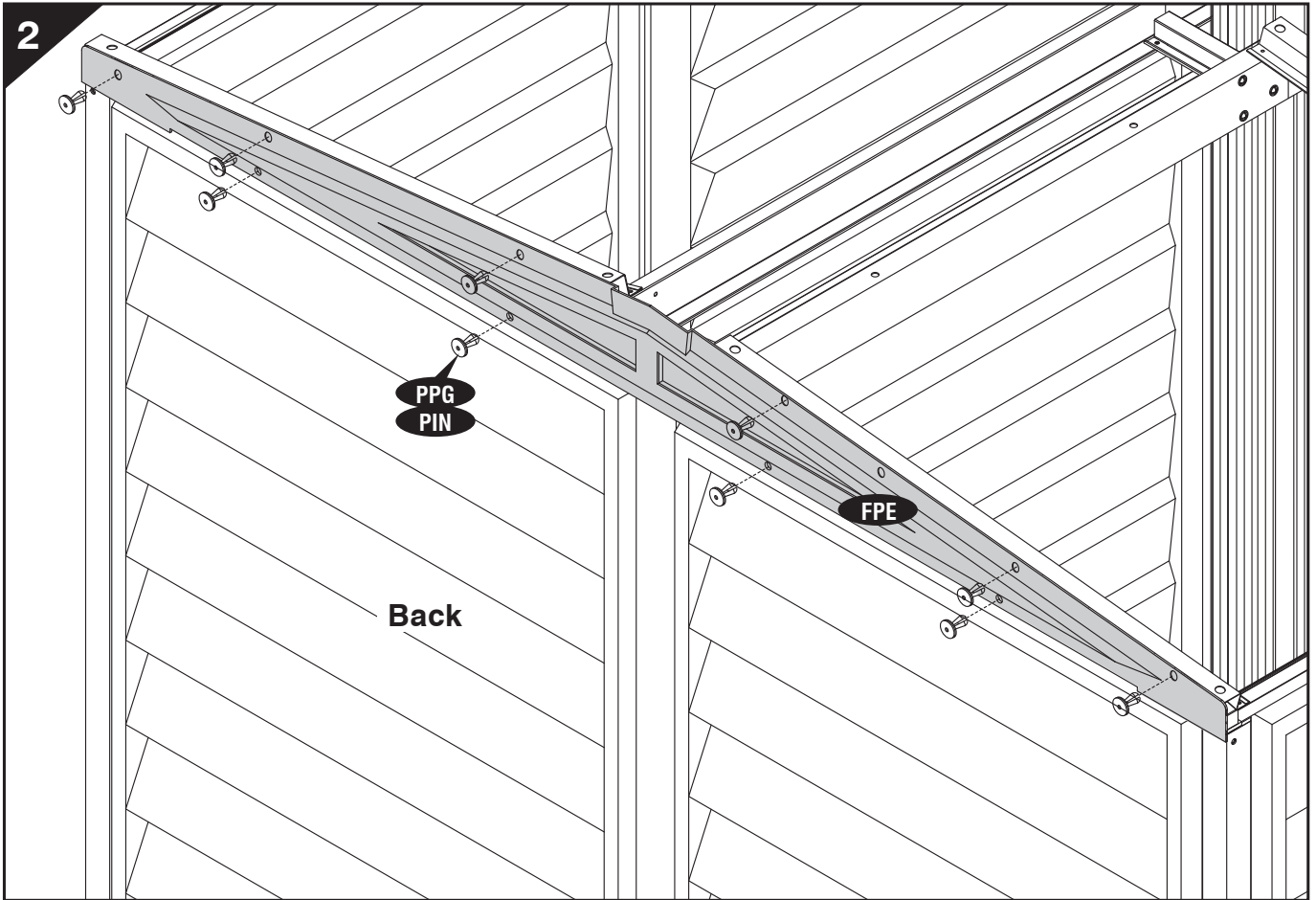
Apply silicone into the holes before inserting the pins

Note

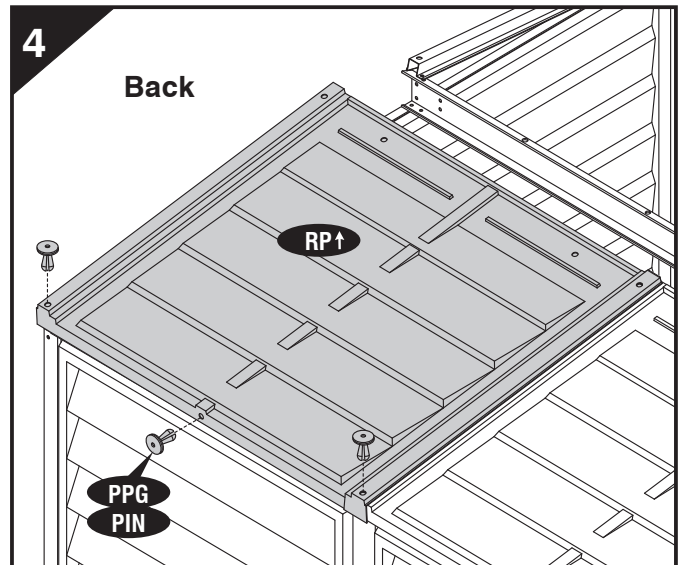
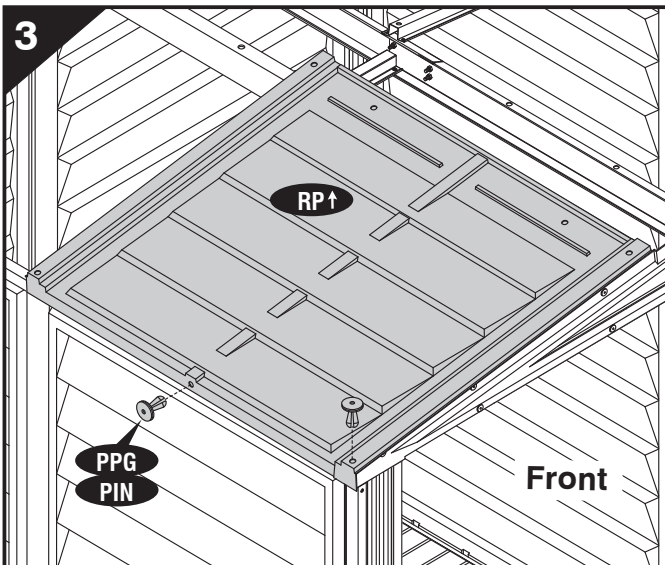
Apply silicone around the roof plugs and the pin holes before fixing the pins.

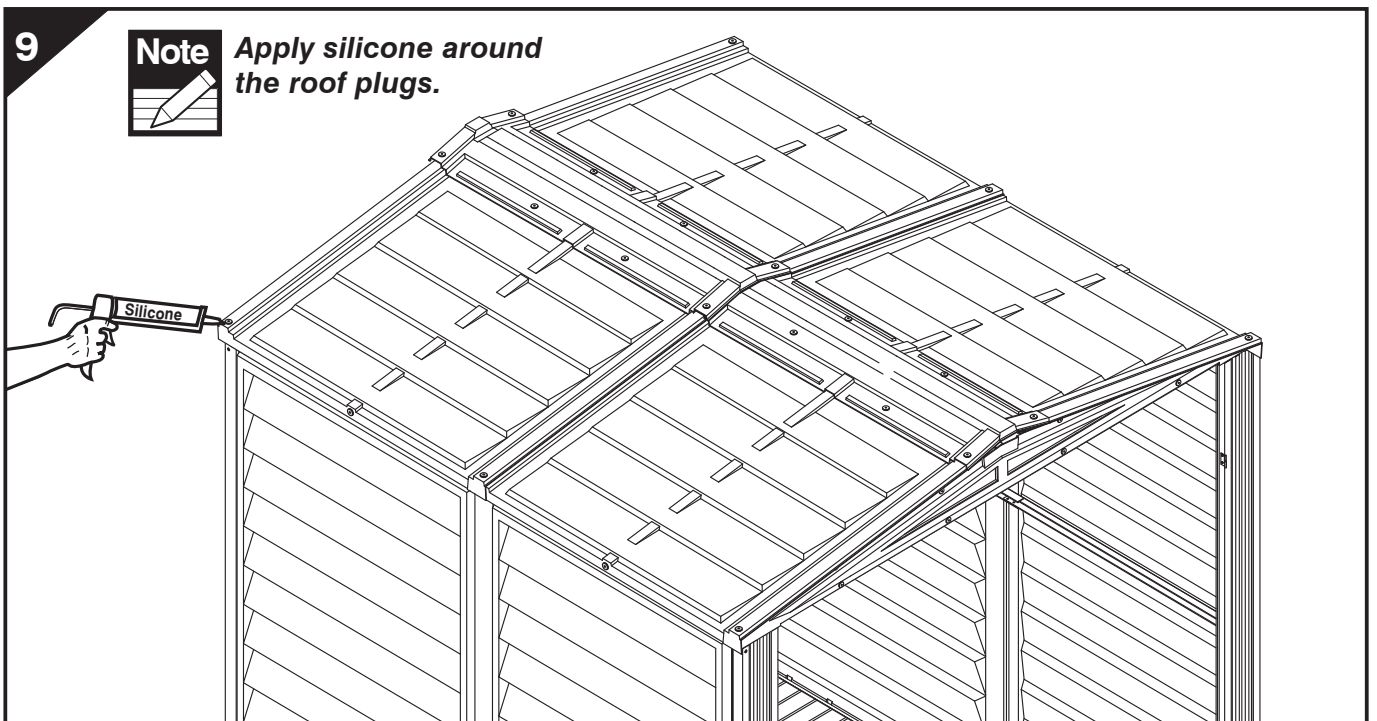
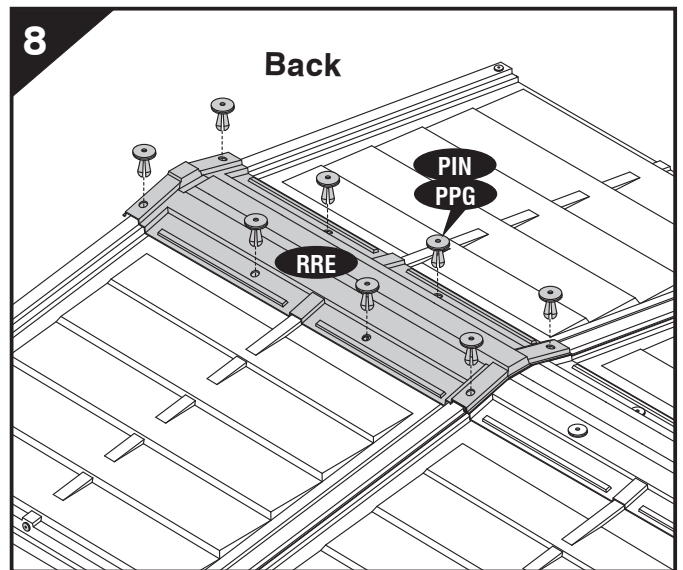
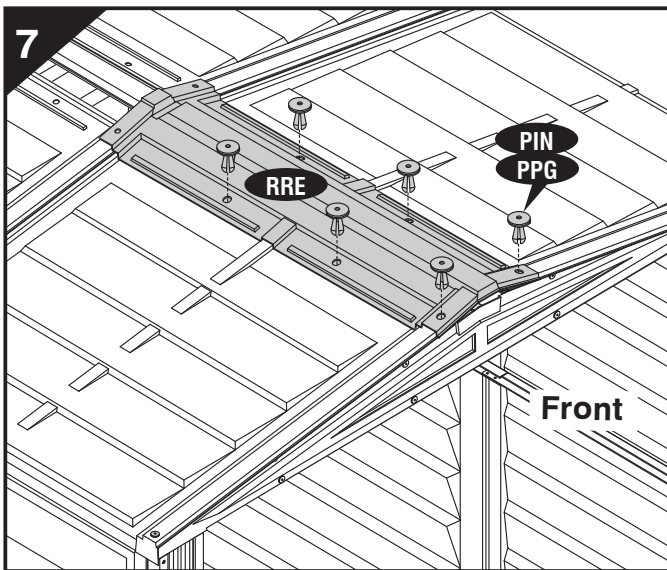
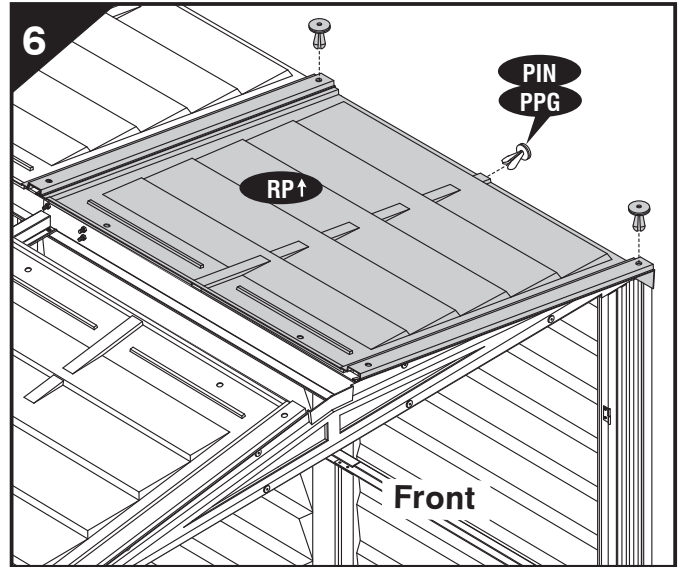
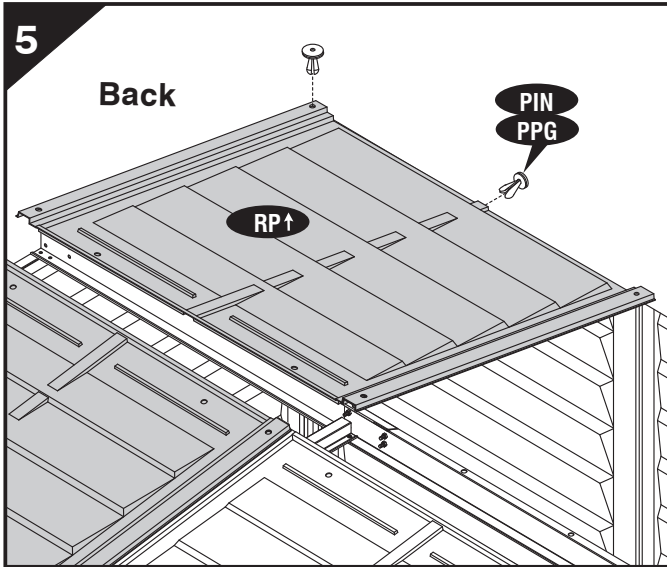
1



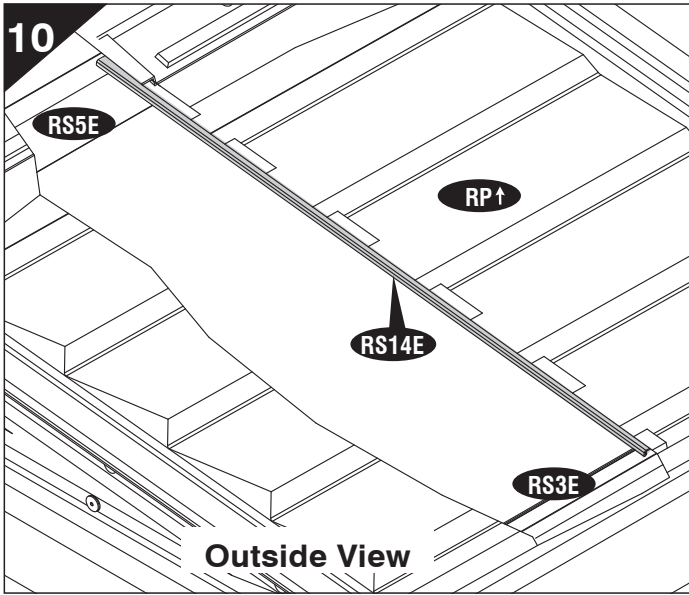


Note Use a screw driver to align the holes.
Insert roof plugs into roof panels only as indicated.

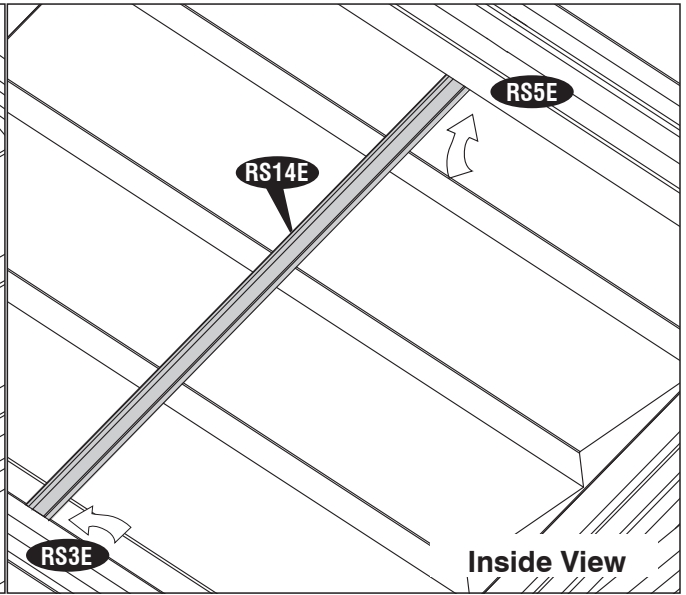




10



Outside View



Inside View

D. Door

Parts Needed	
<u>Code</u>	<u>Qty</u>
DL	1
DR	1

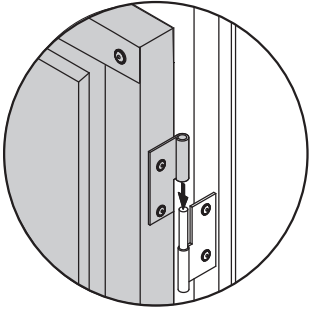


Fig.1

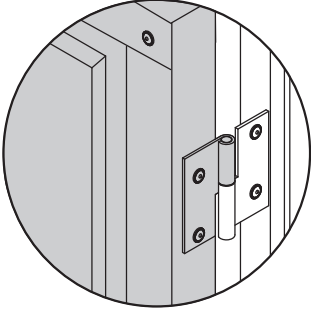
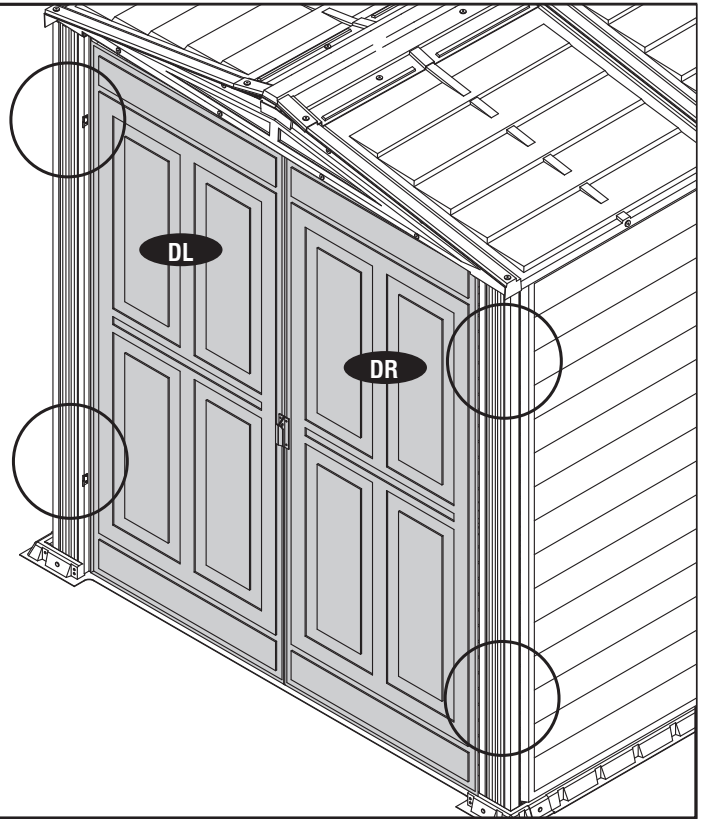


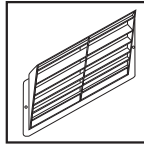
Fig.2



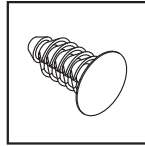
E. Ventilation Kit

Parts Needed:

CODE	QTY
VC	2
VCP	4



VC



VCP

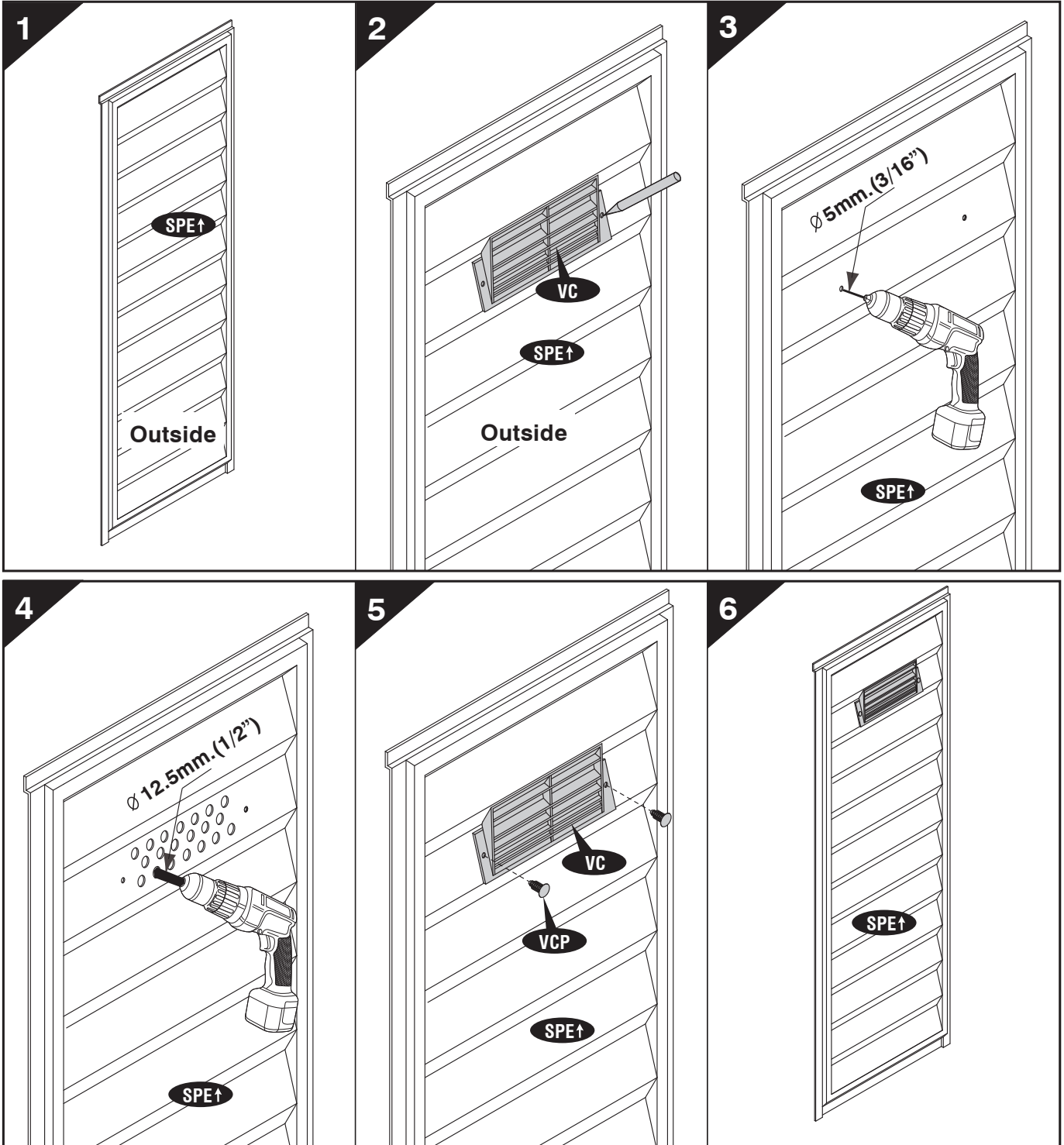
TOOLS YOU WILL NEED

Power Drill
 Dia 3/16" (5mm) drill bit
 Dia 1/2" (12.5mm) drill bit

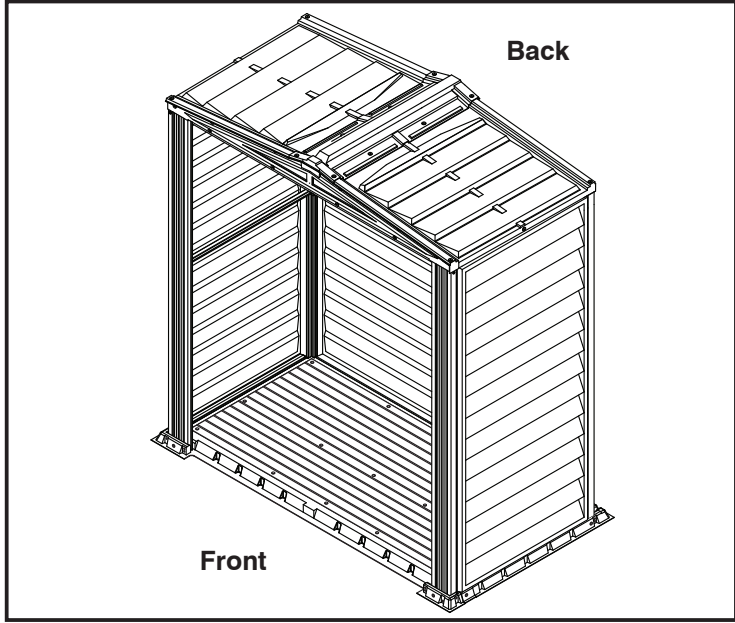
Note



Optional ventilation kits can be installed on any of the wall panels. However, we recommend mounting them on the top of the shed's back wall.



PART 2: Adding Extension Kit to Existing Shed



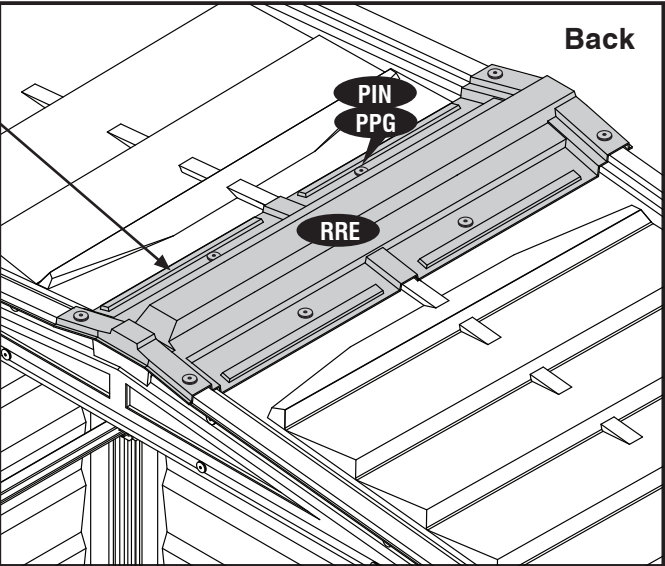
1

Note Remove this Ridge cover.

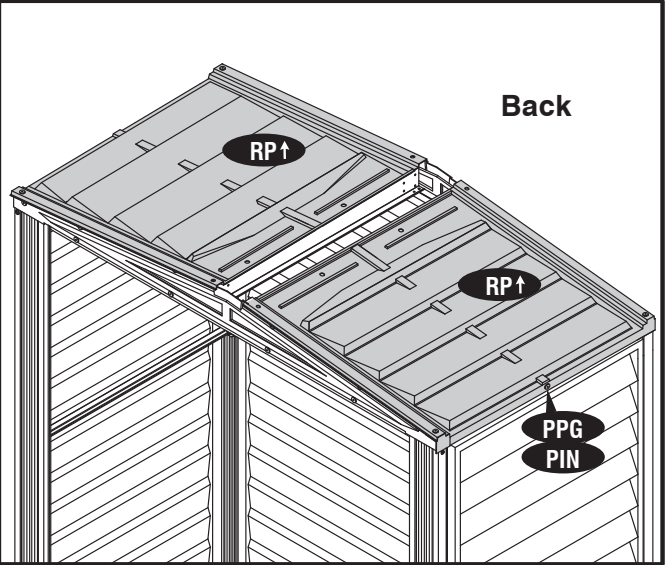
Remove the **ridge cover (RRE)** from the shed . See the figure.

TIP Use a drilling machine to remove the pins and plugs from the ridge cover, roof panel and fascia panel. Care should be taken not to damage the panels.

Extra pins, plugs and washers are available in the accessory box.

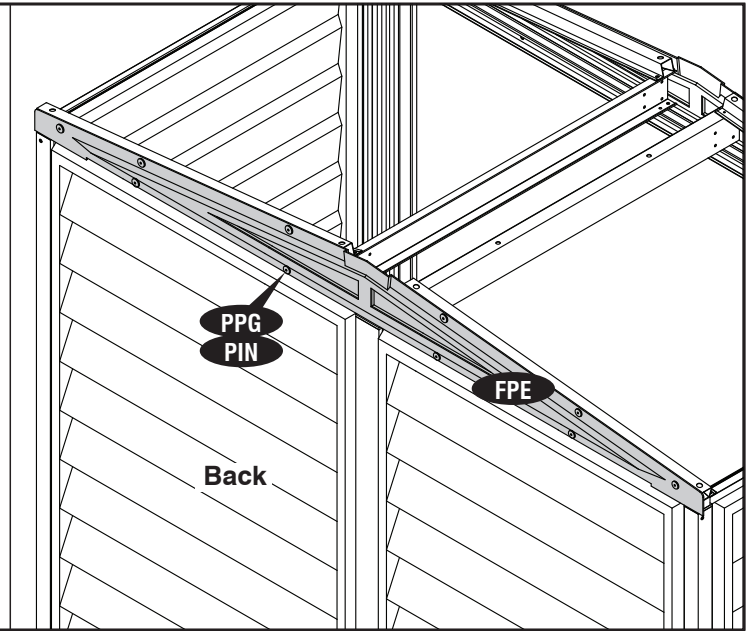


2 Remove the left and right roof panels. See the figure.



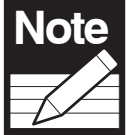
3

Remove the roof plugs and pins from backside facia panel and detach it from the shed.

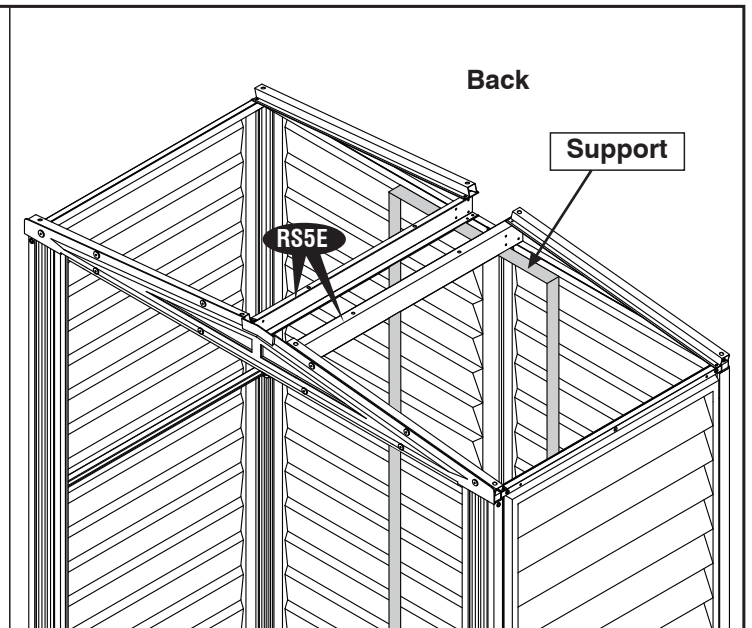


4

Support the roof structure (RS5E) by using an appropriate support to avoid the roof structure from collapsing.



Note Support not included.



5

Detach back side (RS2E) from (RS5E). See the figure.

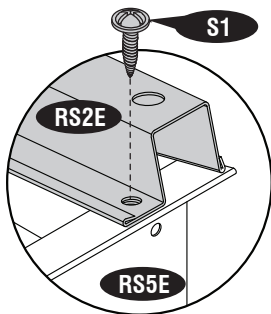


Fig.1

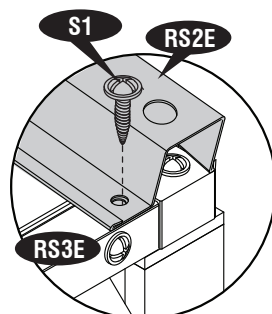
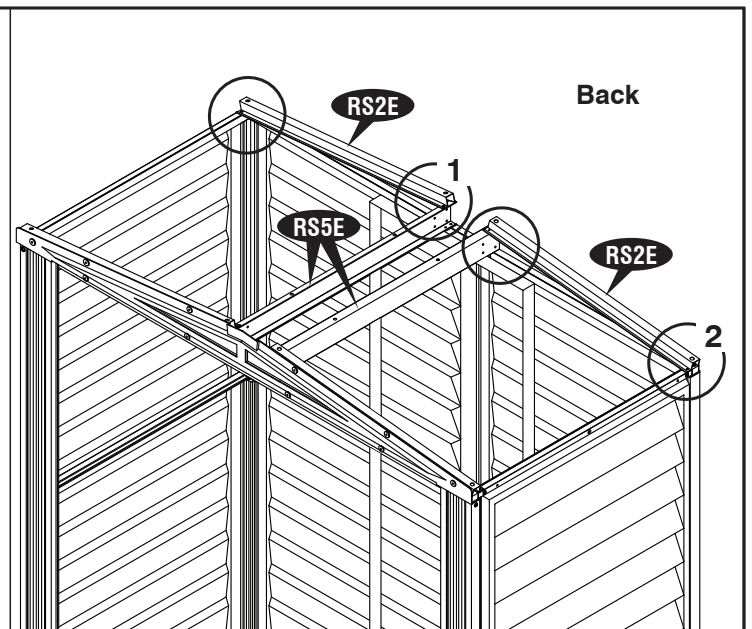


Fig.2



Detach (RS2E) from (RS3E) from both corners. See the figure.

6

Detach (RS5E) from (RS1E).

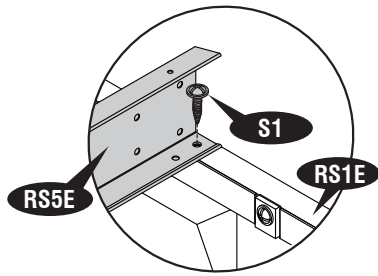
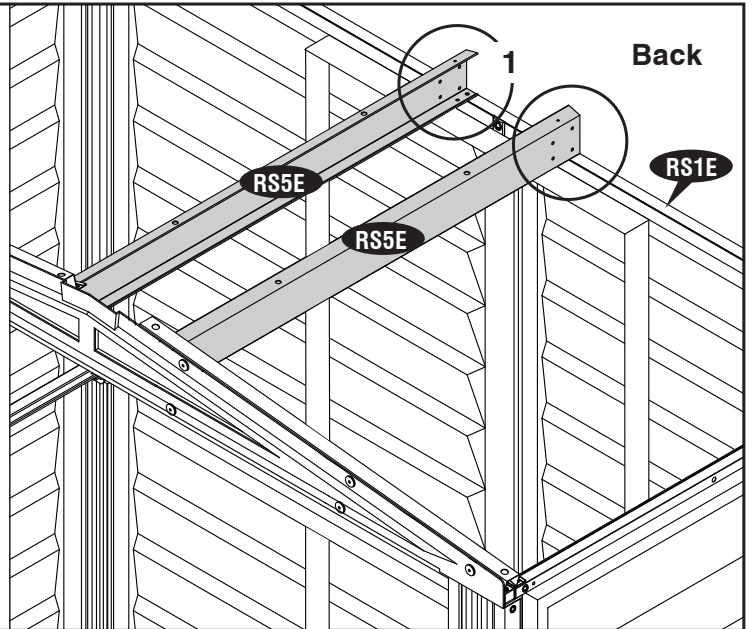


Fig.1



7

Detach 90 degree joint (RJ) from corner column fitting (FCC) from both corners. See fig.1.

Detach 90 degree joint (RJ) from (RS3E) from both corners. See fig.2

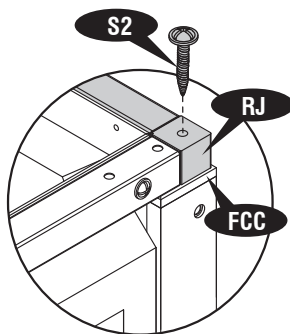


Fig.1

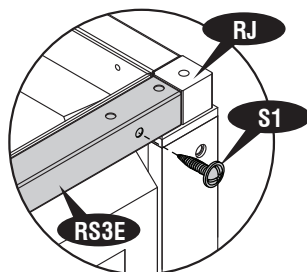
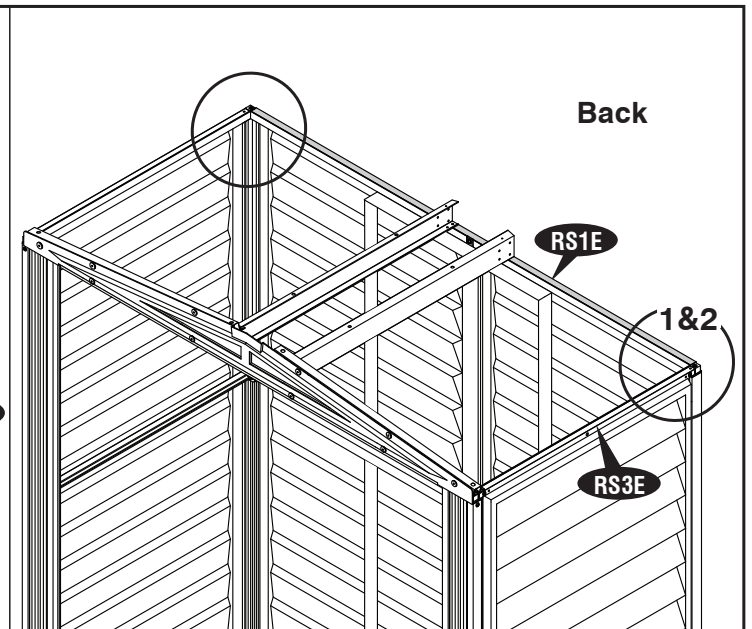
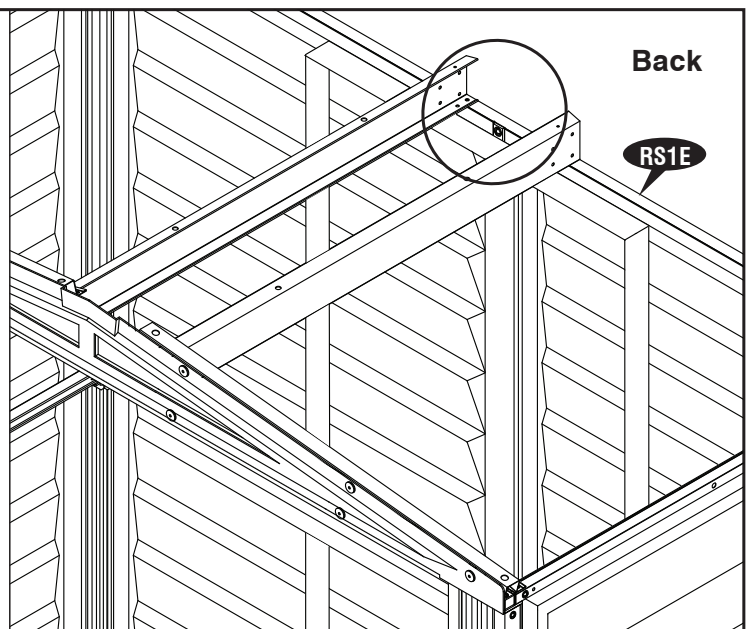
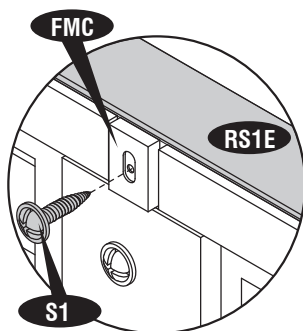


Fig.2



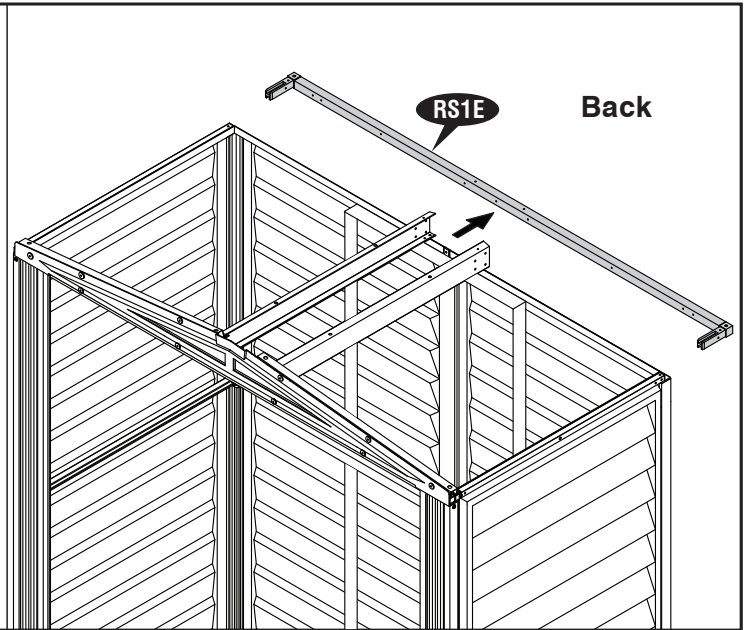
7

Detach the middle column fitting (FMC) from roof structure (RS1E). See fig.



8

Pull back the roof structure (RS1E) with 90 degree joint (RJ). See fig.



9

Detach the center band (CB2B) from the back wall of the shed. Follow the fig.

Fig.1: Detach (CB2B) from (CB2E). Then detach (CB2B) & (CB2E) from (FCB).

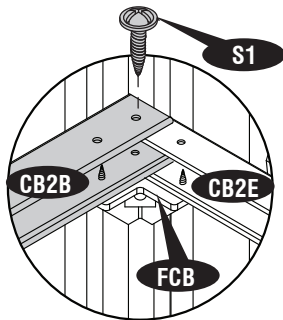


Fig.2

Fig.2: Detach (CB2B) from (CB2E). Then detach (CB2B) & (CB2E) from (FCB).

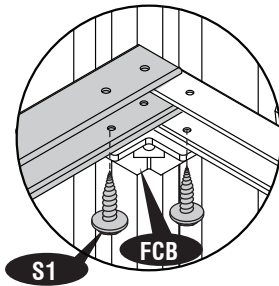


Fig.2

Fig.3: Detach (CB2B) from (CME).

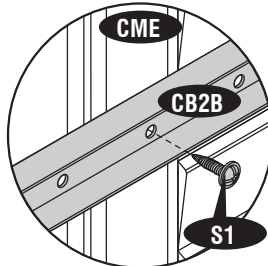
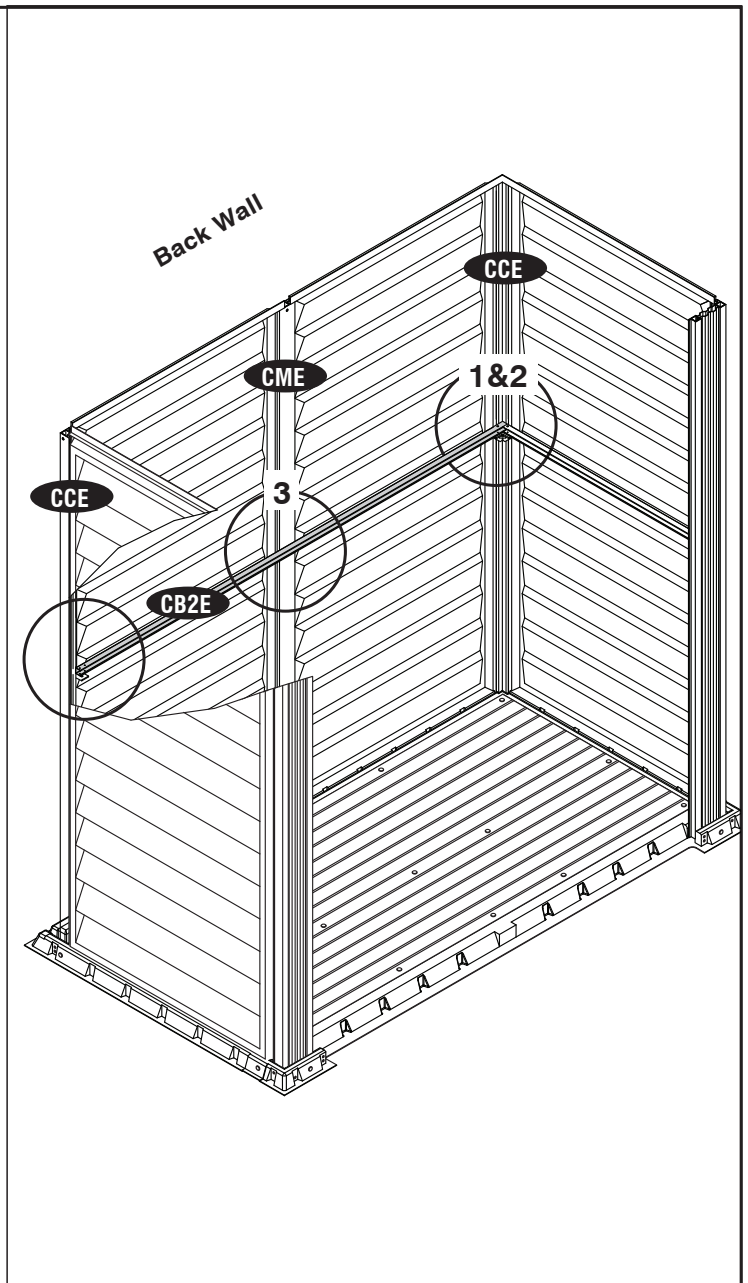


Fig.3



8

From outside back of the shed detach the corner column (CCE) from the base pallet (BPF) at both corners and remove the corner column. See fig.1

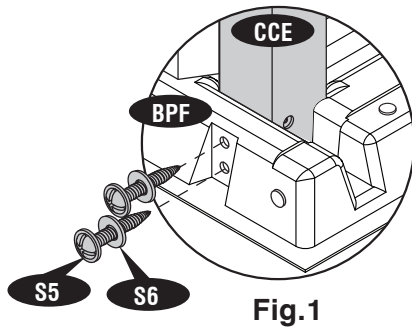


Fig.1

Then detach the middle column (CME) from the base pallet (BPF). See fig.2

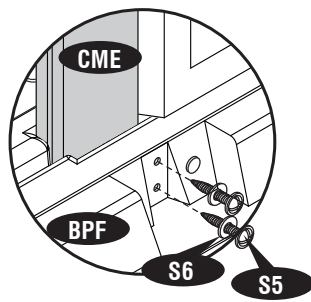
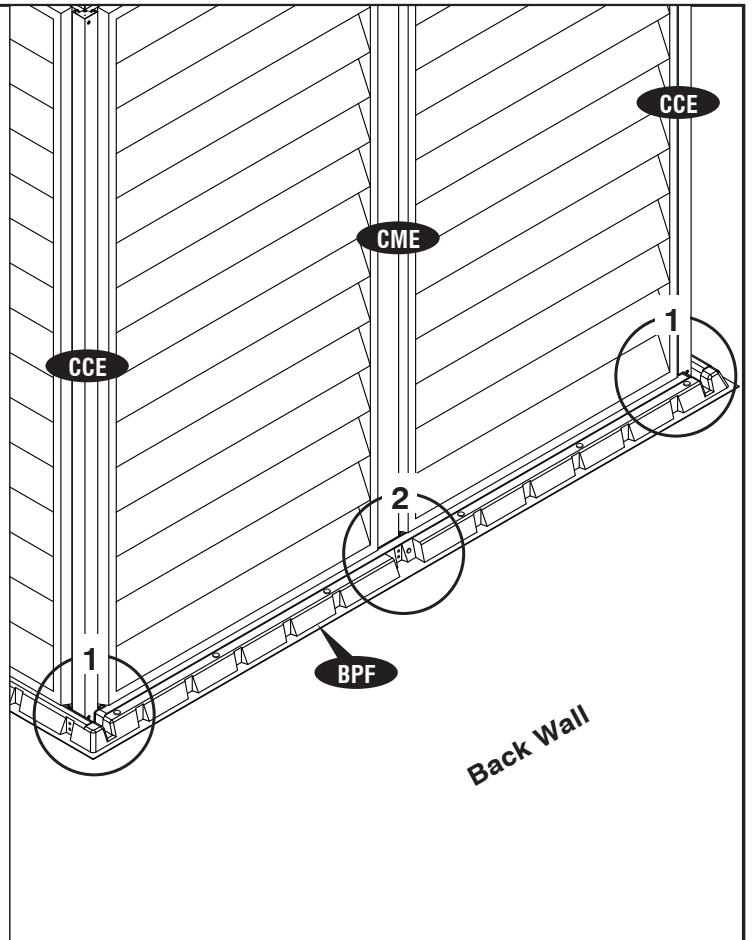


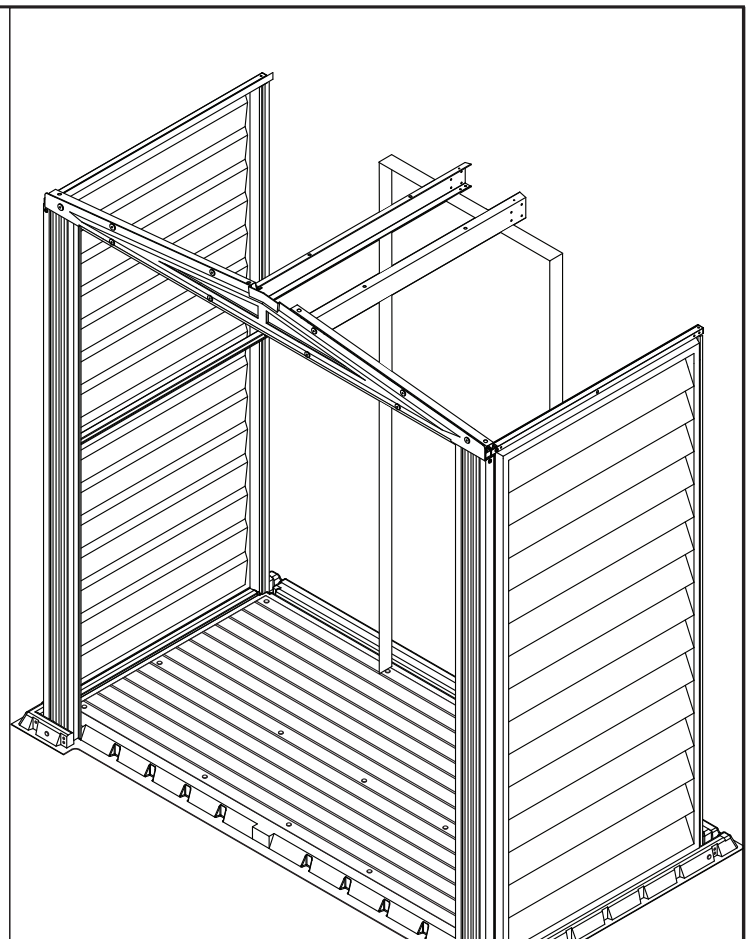
Fig.2



9

Remove the back side panel and column from the base pallet. See fig.

Come back to 5' x 3' extension kit manual (PART 1) and follow the steps accordingly.



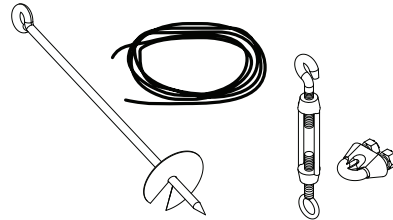
ADDITIONAL ACCESSORIES AVAILABLE

These accessories are required in case of heavy snow or high wind areas.
Please choose relevant accessories according to your needs.

ANCHOR KIT (Soil)

Wire rope with twist augers for sheds installed with foundation
(Wood / Metal) on soil.

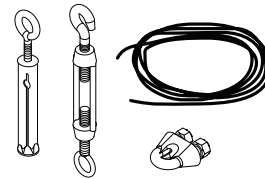
For heavy wind area.



ANCHOR KIT (Concrete)

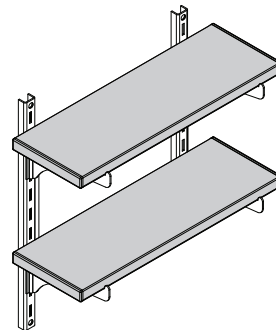
Eye bolt with wire rope for sheds installed with foundation
(Wood / Metal) on concrete.

For heavy wind area.



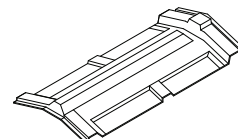
SHELF KIT

Easy mounting system on the middle column. 6 inch wide
reinforced PVC shelf with end caps.



SKY LIGHT KIT

To illuminate your shed with natural light.





U.S. Polymers, Inc.
1057 S. Vail Ave
Montebello, CA 90640,
United States of America
